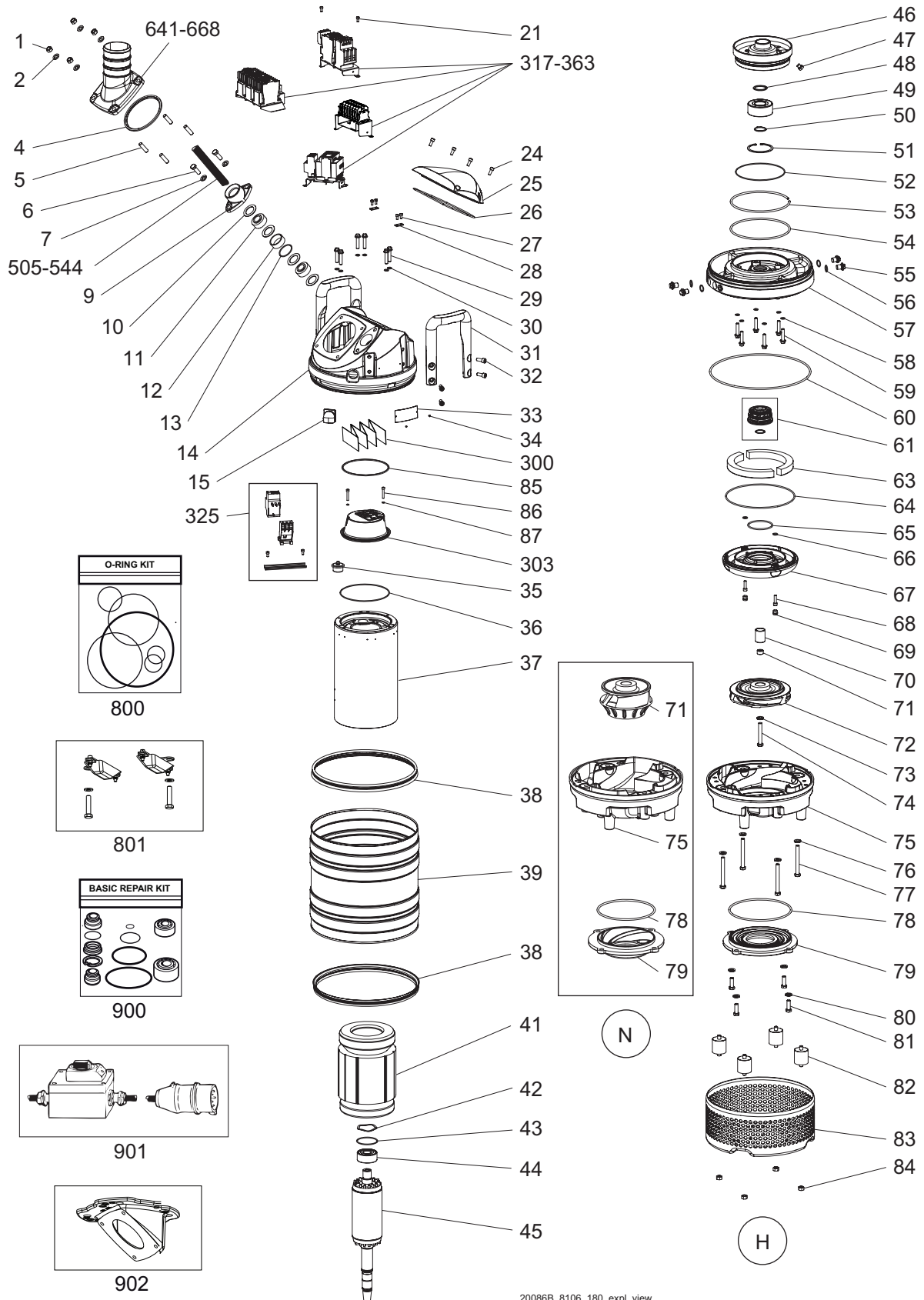


Parts List



www.grindex.com

Matador — 8106.180



Parts List

Matador — 8106.180

Overview

Table of Contents

This publication contains the following topics:

Topic

| | |
|--------------------------------|---|
| Introduction | 4 |
| Practical Information | 5 |
| Data Plate Interpretation..... | 6 |
| Order parts..... | 7 |
| Spare Parts | 8 |

Introduction

Purpose

The purpose of this manual is to give the reader information about available spare parts and accessories for the product.

Recipient

The manual is principally intended for Grindex

- customers
 - service personnel
 - sales personnel
-

Contact

For more information

- contact your Grindex representative
 - visit <http://www.grindex.com/>
-

Reference

More information about the product is available in the following documents:

- Installation, Operation and Maintenance
 - Grindex accessories list
-

Practical Information

Overview

Table of Contents

This chapter contains the following topics:

Topic

| | |
|---------------------------------|---|
| Data Plate Interpretation | 6 |
| Data Plate..... | 6 |
| Order parts | 7 |

Data Plate Interpretation

Introduction

The Grindex product is always provided with data plates:

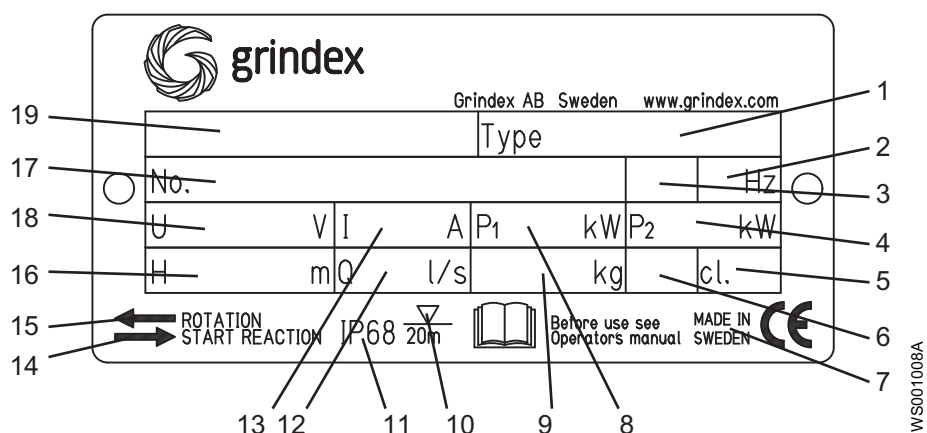
- The general data plate is used on all products.
- The approval plate is added to all explosion proof products.

Data Plate

The product may only be operated within the parameters stated on the data plate.

Illustration

This is an illustration of a general data plate.



Field description

This table shows the fields on the general data plate, and which information each field contains.

| Field | Description | Field | Description |
|-------|---------------------------|-------|------------------------------------|
| 1 | Pump type number | 11 | Degree of protection |
| 2 | Frequency | 12 | Maximum capacity |
| 3 | Phases, type of current | 13 | Rated current |
| 4 | Rated shaft power | 14 | Direction of the start reaction |
| 5 | Thermal class | 15 | Direction of the impeller rotation |
| 6 | Locked rotor code-letter | 16 | Maximum head |
| 7 | Country of origin | 17 | Serial number |
| 8 | Maximum power consumption | 18 | Rated voltage |
| 9 | Product weight | 19 | Pump model |
| 10 | Maximum submersion depth | - | - |

Order parts

Order

When ordering spare parts, state product number and serial number of the product, spare part number and quantity.

Requirements

Genuine Grindex parts must always be used for repairs if the product is to fulfill requirements and obtain official approval.

Specially Approved Products

Spare parts marked with ^(EX) after the part number are subject to dimensional accuracy inspection.

Spare Parts

NOTE!

Parts with position numbers that end with .9xx are NOT included in the unit and must be ordered separately.

| Pos. No | Part. No | Denomination | Qty/Version 180 |
|---------|-----------|---|--------------------|
| 1 | 410 011 | Hexagon nut M12-A4-70 | 4 |
| 2 | 132 424 | Plain washer 12-A2-170 | 4 |
| 4 | 50 897 00 | U-ring | 1 |
| 5 | 410 171 | Stud M12X35-A2-70 | 4 |
| 6 | 410 197 | Hexagon head screw M12X35-A2-70 | 2 |
| 7 | 132 424 | Plain washer 12-A2-170 | 2 |
| 9 | 51 033 04 | Entrance flange | 1 |
| 10 | 132 312 | Plain washer (33)-35 MM | 4 |
| 10 | 132 334 | Plain washer (14)-20 MM | 4 |
| 10 | 132 336 | Plain washer (20)-32 MM | 4 |
| 11 | 410 112 | Seal sleeve (14)-17 MM | 2 |
| 11 | 410 113 | Seal sleeve (17)-20 MM | 2 |
| 11 | 410 114 | Seal sleeve (20)-23 MM | 2 |
| 11 | 410 115 | Seal sleeve (23)-26 MM | 2 |
| 11 | 410 116 | Seal sleeve (26)-29 MM | 2 |
| 11 | 410 118 | Seal sleeve (32)-35 MM | 2 |
| 12 | 51 025 02 | Ring | 1 |
| 13 | 410 086 | O-ring 49.5X3 NBR | 1 |
| 14 | 50 865 00 | Cover | 1 |
| 15 | 50 869 00 | Air release valve | 1 |
| 21 | 410 026 | Hex.socket hd screw M6X12-A4-70 | 8 |
| 24 | 50 021 33 | Hex.socket hd screw M8X20-A4-80 | 4 |
| 25 | 50 994 00 | Cover | 1 |
| 26 | 132 422 | O-ring 219.3X5.7 NBR | 1 |
| 27 | 410 026 | Hex.socket hd screw M6X12-A4-70 | 2 |
| 28 | 50 902 00 | Earthing plate | 2 |
| 29 | 410 076 | Hexagon flange screw M10X45-A4-80 | 6 |
| 30 | 50 037 34 | O-ring 10.3X2.4 NBR | 6 |
| 31 | 50 866 00 | Handle compl. | 2 |
| 32 | 50 022 17 | Hex.socket hd screw M10X25-A4-70 | 8 |
| 33 | 50 888 00 | Plate-blank | 1 |
| | | Use 50 907 00 (EU), 50 907 01 (US) as spare part. | |

| Pos. No | Part. No | Denomination | Qty/Version 180 |
|---------|-----------|---|--------------------|
| 34 | 410 000 | Drive screw 4X5-A2-70 | 4 |
| 35 | 51 024 00 | El.lead through unit | 1 |
| 36 | 410 022 | O-ring 175X3 NBR | 1 |
| 37 | 51 031 00 | Stator housing | 1 |
| 38 | 51 059 00 | Seal ring | 2 |
| 39 | 50 867 00 | Cooling jacket | 1 |
| 41 | 51 007 01 | Stator 21-18-2b | 1 |
| | | 50Hz: 400V-415V D, 690V Y. 60Hz: 460V D. | |
| 41 | 51 007 02 | Stator 21-18-2b | 1 |
| | | 50Hz: 220V-230V D, 400V Y. | |
| 41 | 51 007 03 | Stator 21-18-2b | 1 |
| | | 50Hz: 500V D. 60Hz: 575V-600V D. | |
| 41 | 51 007 04 | Stator 21-18-2b | 1 |
| | | 60Hz: 440V-460V YSER, 220V-230V Y//. | |
| 41 | 51 007 05 | Stator 21-18-2b | 1 |
| | | 50Hz: 1000V Y, 550V D. | |
| 41 | 51 007 06 | Stator 21-18-2b | 1 |
| | | 60Hz: 220V-240V D. | |
| 41 | 51 007 07 | Stator 21-18-2b | 1 |
| | | 50Hz: 660V Y, 380V D. 60Hz: 440V D. | |
| 41 | 51 007 08 | Stator 21-18-2b | 1 |
| | | 60Hz: 200V-208V D. | |
| 41 | 51 007 10 | Stator 21-18-2b | 1 |
| | | 60Hz: 380V-400V D. | |
| 41 | 51 007 11 | Stator 21-18-2b | 1 |
| | | 60Hz: 230V D//, 380V Y//, 460V DSER. | |
| 42 | 410 080 | Spring washer 71.5X59X0.55 | 1 |
| 43 | 410 084 | O-ring 71.2X3 FPM | 1 |
| 44 | 410 100 | Ball bearing 3306A- 2Z/C3VT113 | 1 |
| 45 | 51 029 03 | Shaft unit | 1 |
| 46 | 51 032 00 | Bearing holder | 1 |
| 47 | 51 041 00 | Hexagon head screw | 1 |
| 48 | 410 079 | Supporting washer 40X50X2.5-SPRING STEEL | 1 |
| 49 | 410 101 | Ball bearing 3308A- 2Z/C3VT113 | 1 |
| 50 | 410 081 | Retaining ring SGA 40 | 1 |
| 51 | 410 093 | Retaining ring JB 90 | 1 |
| 52 | 410 022 | O-ring 175X3 NBR | 1 |
| 53 | 51 037 00 | Spring ring, solid | 1 |
| 54 | 410 091 | O-ring 209.3X5.7 NBR | 1 |
| 55 | 133 063 | Inspection screw | 4 |
| 56 | 133 064 | O-ring 19.2X3 NBR | 4 |
| 57 | 51 039 02 | Adapter | 1 |
| 58 | 50 037 34 | O-ring 10.3X2.4 NBR | 6 |
| 59 | 410 076 | Hexagon flange screw M10X45-A4-80 | 6 |

| Pos. No | Part. No | Denomination | Qty/Version |
|---------|-----------|-------------------------------------|--|
| 60 | 50 037 31 | O-ring 359.3X5.7 NBR | 1 |
| 61 | 51 028 22 | Mechanical seal | 1 |
| 63 | 410 106 | Pressure equalizer | 2 |
| 64 | 410 085 | O-ring 246.0X4.0 NBR | 1 |
| 65 | 410 097 | O-ring 84.4X4 FPM | 1 |
| 66 | 410 096 | O-ring 11.6X2.9 FPM | 2 |
| 67 | 51 043 00 | Seal housing cov.coa | 1 |
| 68 | 50 021 18 | Hex.socket hd screw M8X30-A4-70 | 2 |
| 69 | 133 060 | Protective plug | 2 |
| 70 | 51 035 02 | Sleeve | 1 |
| 71 | 51 036 00 | Adjustment screw | 1 |
| 72 | 51 013 50 | Impeller | 50Hz, H |
| 72 | 51 013 52 | Impeller | 60Hz, H |
| 72 | 51 014 50 | Impeller | 50Hz, N |
| 72 | 51 014 52 | Impeller | 60Hz, N |
| 73 | 132 424 | Plain washer 12-A2-170 | 1 |
| 74 | 410 074 | Hexagon head screw M12X80-A4-80 | 1 |
| 75 | 51 018 00 | Diffuser coat. | H |
| 75 | 51 019 00 | Diffuser coat. | N |
| 76 | 132 424 | Plain washer 12-A2-170 | 4 |
| 77 | 410 075 | Hexagon head screw M12X110-A2-70 | 4 |
| 78 | 132 314 | O-ring 189.3X5.7 NBR | N |
| 78 | 132 422 | O-ring 219.3X5.7 NBR | H |
| 79 | 51 040 00 | Suction cover | H |
| 79 | 51 042 00 | Suction cover | N |
| 80 | 132 424 | Plain washer 12-A2-170 | 4 |
| 81 | 410 197 | Hexagon head screw M12X35-A2-70 | 4 |
| 82 | 51 045 00 | Damper complete | 4 |
| 83 | 51 044 01 | Strainer | 1 |
| 84 | 410 011 | Hexagon nut M12-A4-70 | 4 |
| 85 | 50 037 71 | O-ring 160.0X4.0 NBR | 1 |
| 86 | 410 757 | Hex.socket hd screw M6X35-A2-70 | 2 |
| 87 | 133 125 | O-ring 6.1X1.6 NBR | 2 |
| 303 | 51 643 00 | Terminal plate unit | 1 |
| 317 | 50 993 47 | CONTACTOR UNIT | 50Hz: 220V – 240V D. Only for DOL, Softstarter. |

| Pos. No | Part. No | Denomination | Qty/Version |
|---------|-----------|------------------------------------|-------------|
| 317.1 | 410 008 | Hex.socket hd screw M4X16-A2-70 | 2 |
| 317.2 | 410 012 | Lock nut | 2 |
| 317.2 | 50 020 07 | Lock nut M6-A4-70 | 2 |
| 317.3 | 50 020 04 | Hex.socket hd screw M6X20-A4-70 | 2 |
| 317.4 | 50 020 04 | Hex.socket hd screw M6X20-A4-70 | 2 |
| 317.5 | 410 749 | Overload relay | 1 |
| 317.6 | 410 762 | Contactora | 1 |
| 317.7 | 50 900 62 | Single-core cable | 1 |
| 317.7 | 51 076 00 | Cable set | 1 |
| 317.8 | 50 995 01 | Holder | 1 |
| 317.8 | 51 644 00 | Holder | 1 |
| 317.9 | 51 511 07 | Motor protector SMART | 1 |
| 317.910 | 51 625 00 | Connection plate | 1 |
| 319 | 50 993 47 | CONTACTOR UNIT | 1 |
| 319.1 | 410 008 | Hex.socket hd screw M4X16-A2-70 | 2 |
| 319.2 | 410 012 | Lock nut | 2 |
| 319.2 | 50 020 07 | Lock nut M6-A4-70 | 2 |
| 319.3 | 50 020 04 | Hex.socket hd screw M6X20-A4-70 | 2 |
| 319.4 | 50 020 04 | Hex.socket hd screw M6X20-A4-70 | 2 |
| 319.5 | 410 749 | Overload relay | 1 |
| 319.6 | 410 762 | Contactora | 1 |
| 319.7 | 50 900 62 | Single-core cable | 1 |
| 319.7 | 51 076 00 | Cable set | 1 |
| 319.8 | 50 995 01 | Holder | 1 |
| 319.8 | 51 644 00 | Holder | 1 |
| 319.9 | 51 511 07 | Motor protector SMART | 1 |
| 319.910 | 51 625 00 | Connection plate | 1 |
| 320 | 50 993 48 | CONTACTOR UNIT | 1 |
| 320.1 | 410 008 | Hex.socket hd screw M4X16-A2-70 | 2 |
| 320.2 | 410 008 | Hex.socket hd screw M4X16-A2-70 | 2 |
| 320.3 | 410 012 | Lock nut | 2 |
| 320.4 | 410 012 | Lock nut | 2 |
| 320.5 | 410 822 | Overload relay | 1 |
| 320.6 | 410 816 | Contactora | 1 |

Ordered separately.

50Hz: 220V - 230V D.

Ordered separately.

50Hz: 380V - 400V D.

| Pos. No | Part. No | Denomination | Qty/Version |
|---------|-----------|------------------------------------|-----------------------------|
| | | | 180 |
| 320.7 | 50 900 62 | Single-core cable | 1 |
| 320.7 | 51 076 00 | Cable set | 1 |
| 320.8 | 50 995 00 | Holder | 1 |
| 320.9 | 51 511 05 | Motor protector SMART | 1 |
| 320.910 | 51 625 00 | Connection plate | Ordered separately. 1 |
| 320.948 | 51 639 02 | Cable set | Ordered separately. 2 |
| 321 | 50 993 48 | CONTACTOR UNIT | 50Hz: 415V - 440V D. 1 |
| 321.1 | 410 008 | Hex.socket hd screw M4X16-A2-70 | 2 |
| 321.2 | 410 008 | Hex.socket hd screw M4X16-A2-70 | 2 |
| 321.3 | 410 012 | Lock nut | 2 |
| 321.4 | 410 012 | Lock nut | 2 |
| 321.5 | 410 822 | Overload relay | 1 |
| 321.6 | 410 816 | Contactactor | 1 |
| 321.7 | 50 900 62 | Single-core cable | 1 |
| 321.7 | 51 076 00 | Cable set | 1 |
| 321.8 | 50 995 00 | Holder | 1 |
| 321.9 | 51 511 05 | Motor protector SMART | 1 |
| 321.910 | 51 625 00 | Connection plate | Ordered separately. 1 |
| 321.948 | 51 639 02 | Cable set | Ordered separately. 2 |
| 322 | 50 993 50 | CONTACTOR UNIT | 50Hz: 500V D. 1 |
| 322.1 | 410 008 | Hex.socket hd screw M4X16-A2-70 | 2 |
| 322.2 | 410 008 | Hex.socket hd screw M4X16-A2-70 | 2 |
| 322.3 | 410 012 | Lock nut | 2 |
| 322.4 | 410 012 | Lock nut | 2 |
| 322.5 | 410 466 | Overload relay | 1 |
| 322.6 | 410 756 | Contactactor | 1 |
| 322.7 | 50 900 62 | Single-core cable | 1 |
| 322.7 | 51 076 00 | Cable set | 1 |
| 322.8 | 50 995 00 | Holder | 1 |
| 322.9 | 51 511 05 | Motor protector SMART | 1 |
| 322.910 | 51 625 00 | Connection plate | Ordered separately. 1 |
| 322.948 | 51 639 02 | Cable set | Ordered separately. 2 |
| 325 | 50 999 02 | CONTACTOR UNIT | 50Hz: 380V – 400V Y/D. 1 |
| 325.1 | 410 008 | Hex.socket hd screw M4X16-A2-70 | 8 |
| 325.2 | 410 012 | Lock nut | 8 |
| 325.3 | 410 146 | Contactactor | 3 |

| Pos. No | Part. No | Denomination | Qty/Version 180 |
|---------|-----------|------------------------------------|----------------------|
| 325.4 | 410 088 | Holder | 1 |
| 325.4 | 50 998 00 | Holder | 1 |
| 325.4 | 51 030 00 | Rail | 1 |
| 325.5 | 410 102 | Overload relay | 1 |
| 325.6 | 105 839 | Cable tie | 2 |
| 325.7 | 50 148 02 | Time relay | 1 |
| 325.8 | 50 509 00 | Cable set | 1 |
| 325.8 | 51 002 01 | Cable set | 1 |
| 325.9 | 51 511 05 | Motor protector SMART | 1 |
| 325.909 | 51 001 03 | Connection plate | Ordered separately. |
| 325.980 | 410 742 | Flat pin sleeve 0,5-1,65MM2 | Ordered separately. |
| 330 | 50 999 03 | CONTACTOR UNIT | 60Hz: 460V Y/D. |
| 330.1 | 410 008 | Hex.socket hd screw M4X16-A2-70 | 8 |
| 330.2 | 410 012 | Lock nut | 8 |
| 330.3 | 410 088 | Holder | 1 |
| 330.3 | 50 998 00 | Holder | 1 |
| 330.3 | 51 030 00 | Rail | 1 |
| 330.4 | 410 102 | Overload relay | 1 |
| 330.5 | 105 839 | Cable tie | 2 |
| 330.6 | 50 148 02 | Time relay | 1 |
| 330.7 | 410 381 | Contactor | 3 |
| 330.8 | 50 509 00 | Cable set | 1 |
| 330.8 | 51 002 01 | Cable set | 1 |
| 330.9 | 51 511 06 | Motor protector SMART | 1 |
| 330.909 | 51 001 03 | Connection plate | Ordered separately. |
| 330.980 | 410 742 | Flat pin sleeve 0,5-1,65MM2 | Ordered separately. |
| 334 | 50 993 51 | CONTACTOR UNIT | 60Hz: 230V - 240V D. |
| 334.1 | 410 008 | Hex.socket hd screw M4X16-A2-70 | 2 |
| 334.2 | 410 012 | Lock nut | 2 |
| 334.2 | 50 020 07 | Lock nut M6-A4-70 | 2 |
| 334.3 | 50 020 04 | Hex.socket hd screw M6X20-A4-70 | 2 |
| 334.4 | 50 020 04 | Hex.socket hd screw M6X20-A4-70 | 2 |
| 334.5 | 410 750 | Overload relay | 1 |
| 334.6 | 410 762 | Contactor | 1 |
| 334.7 | 50 900 62 | Single-core cable | 1 |
| 334.7 | 51 076 00 | Cable set | 1 |
| 334.8 | 50 995 01 | Holder | 1 |

| Pos. No | Part. No | Denomination | Qty/Version |
|----------------|-----------------|------------------------------------|---------------------------|
| 334.8 | 51 644 00 | Holder | 1 |
| 334.9 | 51 511 08 | Motor protector SMART | 1 |
| 334.910 | 51 625 00 | Connection plate | 1 Ordered separately. |
| 334.948 | 51 639 02 | Cable set | 2 Ordered separately. |
| 335 | 50 993 52 | CONTACTOR UNIT | 1 60Hz: 380V - 400V D. |
| 335.1 | 410 008 | Hex.socket hd screw M4X16-A2-70 | 2 |
| 335.2 | 410 008 | Hex.socket hd screw M4X16-A2-70 | 2 |
| 335.3 | 410 012 | Lock nut | 2 |
| 335.4 | 410 012 | Lock nut | 2 |
| 335.5 | 410 823 | Overload relay | 1 |
| 335.6 | 410 816 | Contactor | 1 |
| 335.7 | 50 900 62 | Single-core cable | 1 |
| 335.7 | 51 076 00 | Cable set | 1 |
| 335.8 | 50 995 00 | Holder | 1 |
| 335.9 | 51 511 06 | Motor protector SMART | 1 |
| 335.910 | 51 625 00 | Connection plate | 1 Ordered separately. |
| 335.948 | 51 639 02 | Cable set | 2 Ordered separately. |
| 337 | 50 993 37 | CONTACTOR UNIT | 1 60Hz: 440V - 480V D. |
| 337.1 | 410 008 | Hex.socket hd screw M4X16-A2-70 | 4 |
| 337.2 | 410 012 | Lock nut | 4 |
| 337.4 | 410 822 | Overload relay | 1 |
| 337.5 | 410 816 | Contactor | 1 |
| 337.6 | 50 900 62 | Single-core cable | 1 |
| 337.7 | 50 995 00 | Holder | 1 |
| 337.8 | 51 076 00 | Cable set | 1 |
| 337.9 | 51 511 06 | Motor protector SMART | 1 |
| 337.910 | 51 625 00 | Connection plate | 1 Ordered separately. |
| 337.948 | 51 639 02 | Cable set | 2 Ordered separately. |
| 338 | 50 993 46 | CONTACTOR UNIT | 1 60Hz: 575V - 600V D. |
| 338.1 | 410 008 | Hex.socket hd screw M4X16-A2-70 | 2 |
| 338.2 | 410 008 | Hex.socket hd screw M4X16-A2-70 | 2 |
| 338.3 | 410 012 | Lock nut | 2 |
| 338.4 | 410 012 | Lock nut | 2 |
| 338.5 | 410 466 | Overload relay | 1 |
| 338.6 | 410 756 | Contactor | 1 |
| 338.7 | 50 900 62 | Single-core cable | 1 |

| Pos. No | Part. No | Denomination | Qty/Version |
|---------|-----------|---|---|
| 338.7 | 51 076 00 | Cable set | 1 |
| 338.8 | 50 995 00 | Holder | 1 |
| 338.9 | 51 511 06 | Motor protector SMART | 1 |
| 338.910 | 51 625 00 | Connection plate | Ordered separately. 1 |
| 338.948 | 51 639 02 | Cable set | Ordered separately. 1 |
| 340 | 50 993 52 | CONTACTOR UNIT | 60Hz: 380V - 400V D. Not CSA approved. 1 |
| 340.1 | 410 008 | Hex.socket hd screw M4X16-A2-70 | 2 |
| 340.2 | 410 008 | Hex.socket hd screw M4X16-A2-70 | 2 |
| 340.3 | 410 012 | Lock nut | 2 |
| 340.4 | 410 012 | Lock nut | 2 |
| 340.5 | 410 823 | Overload relay | 1 |
| 340.6 | 410 816 | Contactor | 1 |
| 340.7 | 50 900 62 | Single-core cable | 1 |
| 340.7 | 51 076 00 | Cable set | 1 |
| 340.8 | 50 995 00 | Holder | 1 |
| 340.9 | 51 511 06 | Motor protector SMART | 1 |
| 340.910 | 51 625 00 | Connection plate | Ordered separately. 1 |
| 340.948 | 51 639 02 | Cable set | Ordered separately. 2 |
| 341 | 50 993 37 | CONTACTOR UNIT | 60Hz: 440V - 480V YSER. 1 |
| 341.1 | 410 008 | Hex.socket hd screw M4X16-A2-70 | 4 |
| 341.2 | 410 012 | Lock nut | 4 |
| 341.4 | 410 822 | Overload relay | 1 |
| 341.5 | 410 816 | Contactor | 1 |
| 341.6 | 50 900 62 | Single-core cable | 1 |
| 341.7 | 50 995 00 | Holder | 1 |
| 341.8 | 51 076 00 | Cable set | 1 |
| 341.9 | 51 511 06 | Motor protector SMART | 1 |
| 341.910 | 51 625 00 | Connection plate | Ordered separately. 1 |
| 341.948 | 51 639 02 | Cable set | Ordered separately. 2 |
| 341.960 | 410 033 | Closed end splice 5.1-10.6;(AWG 18-8) L=38 | Ordered separately. 3 |
| 363 | 51 318 03 | Softstarter | 1 |
| 363.10 | 51 356 00 | Softstarter STARTER ONLY | 1 |
| 505 | 50 777 00 | Motor cable 4G2.5+2X1.5 MM2 OD=17-18 | * |
| 507 | 133 139 | Motor cable 4G4 MM2 OD=16-17 MM | * |

| Pos. No | Part. No | Denomination | Qty/Version |
|---------|-----------|---|-------------|
| 508 | 410 129 | Motor cable 4G4+2X1.5 MM2 OD=20-22 MM | * 180 |
| 509 | 410 130 | Motor cable 7G4+2X1.5 MM2 OD=22-26 MM | * |
| 510 | 131 028 | Motor cable 4G6 MM2 OD=18-19MM | * |
| 511 | 410 126 | Motor cable 4G6+2X1.5 MM2 OD=23-25 MM | * |
| 512 | 410 131 | Motor cable 7G6+2X1.5 MM2 OD=24-28 MM | * |
| 513 | 131 027 | Motor cable 4G10 MM2 OD=23-25.5MM | * |
| 514 | 410 127 | Motor cable 4G10+2X1.5 MM2 OD=26-28MM | * |
| 515 | 131 026 | Motor cable 4G16 MM2 OD=26-28MM | * |
| 516 | 410 128 | Motor cable 4G16+2X1.5 MM2 OD=26-28MM | * |
| 516.993 | 50 221 01 | End sleeve 1.5 MM2; L=7 MM Ordered separately. | 2 |
| 526 | 410 132 | Motor cable 10AWG/4 OD=18-19.7 MM | * |
| 527 | 410 069 | Motor cable 10AWG/3-2-1-GC OD=20-22MM | * |
| 528 | 410 133 | Motor cable 8AWG/4 OD=24-26MM | * |
| 529 | 410 134 | Motor cable 8AWG/3-2-1-GC OD=27-29 MM | * |
| 531 | 410 136 | Motor cable 4AWG/3-2-1-GC OD=33-35 MM | * |
| 531.990 | 50 221 03 | End sleeve 4MM2; L=10MM Ordered separately. | 3 |
| 531.991 | 50 221 07 | End sleeve 25 MM2; L=15 MM Ordered separately. | 3 |
| 531.992 | 50 221 05 | End sleeve 10 MM2; L=12 MM Ordered separately. | 1 |
| 540 | 410 060 | Motor cable SCREEN 6X2.5MM2 OD=18-20 | * |
| 540.950 | 410 054 | Shrink hose ID 6.4 Ordered separately. | * |
| 542 | 410 061 | Motor cable SCREEN 3X2.5+3X2.5 19-20 | * |
| 542.950 | 410 054 | Shrink hose ID 6.4 Ordered separately. | * |
| 542.961 | 410 034 | Closed end splice 3-6(AWG 12-10) L=18 Ordered separately. | 1 |
| 543 | 410 124 | Motor cable SCREEN 3X6+3X6 OD=20-23MM | * |
| 543.950 | 410 054 | Shrink hose ID 6.4 Ordered separately. | * |
| 543.961 | 410 034 | Closed end splice 3-6(AWG 12-10) L=18 Ordered separately. | 1 |

| Pos. No | Part. No | Denomination | Qty/Version |
|---------|-----------|--|--|
| 544 | 410 125 | Motor cable SCREEN 3X10+3X10 OD=23-26 | * 180 |
| 544.951 | 410 122 | Shrink hose ID 9.5 | Ordered separately. * |
| 544.961 | 410 034 | Closed end splice 3-6(AWG 12-10) L=18 | Ordered separately. 1 |
| 641 | 50 919 00 | Discharge connection DN 100 HOSE 4" | 1 |
| 643 | 50 919 01 | Discharge connection ISO G4" OUTER | 1 |
| 643.970 | 410 029 | Coupling part DN 100 G4" INNER STORZ | Ordered separately. 1 |
| 646 | 50 919 03 | Discharge connection VICTUALIC 4" | 1 |
| 648 | 50 919 02 | Discharge connection DN 100 NPT 4-8 OUTER | 1 |
| 661 | 51 038 05 | Discharge connection DN 150 HOSE 6" | 1 |
| 663 | 51 038 06 | Discharge connection ISO G6" OUTER | 1 |
| 663.972 | 410 099 | Coupling part DN 150 G6" INNER STORZ | Ordered separately. 1 |
| 666 | 51 038 09 | Discharge connection VICTUALIC 6" | 1 |
| 668 | 51 038 08 | Discharge connection DN 150 NPT 6-8 OUTER | 1 |
| 800 | 51 069 00 | O-ring kits | Contains all position numbered O-rings. 1 |
| 801 | 51 081 00 | Zinc anode set | 1 |
| 900 | 51 075 00 | Basic repair kit | 1 |
| 900.1 | 410 100 | Ball bearing 3306A- 2Z/C3VT113 | 1 |
| 900.2 | 410 101 | Ball bearing 3308A- 2Z/C3VT113 | 1 |
| 900.3 | 410 106 | Pressure equalizer | 2 |
| 900.4 | 51 028 22 | Mechanical seal | 1 |
| 900.5 | 51 069 00 | O-ring kits | Contains all position numbered O-rings. 1 |
| 901 | 132 195 | Plug contact 380-415V 3-PH 63A CEE 5P | 1 |
| 901 | 410 685 | Plug contact 380-415V 3-PH 32A CEE 4P | 1 |
| 901 | 50 102 02 | Phase shifter 220-575V 0-48A | 1 |
| 902 | 51 125 02 | Adapter unit | H 1 |
| 902 | 51 125 03 | Adapter unit WITH EXTENDER | N 1 |

* Quantity per meter



Grindex AB • Box 7025 • SE-174 07 Sundbyberg • Sweden • Tel +46 8 606 66 00 • Fax +46 8 745 53 28 • marketing@grindex.com

© Grindex AB. The original instruction is in English. All non-English instructions are translations of the original instruction.