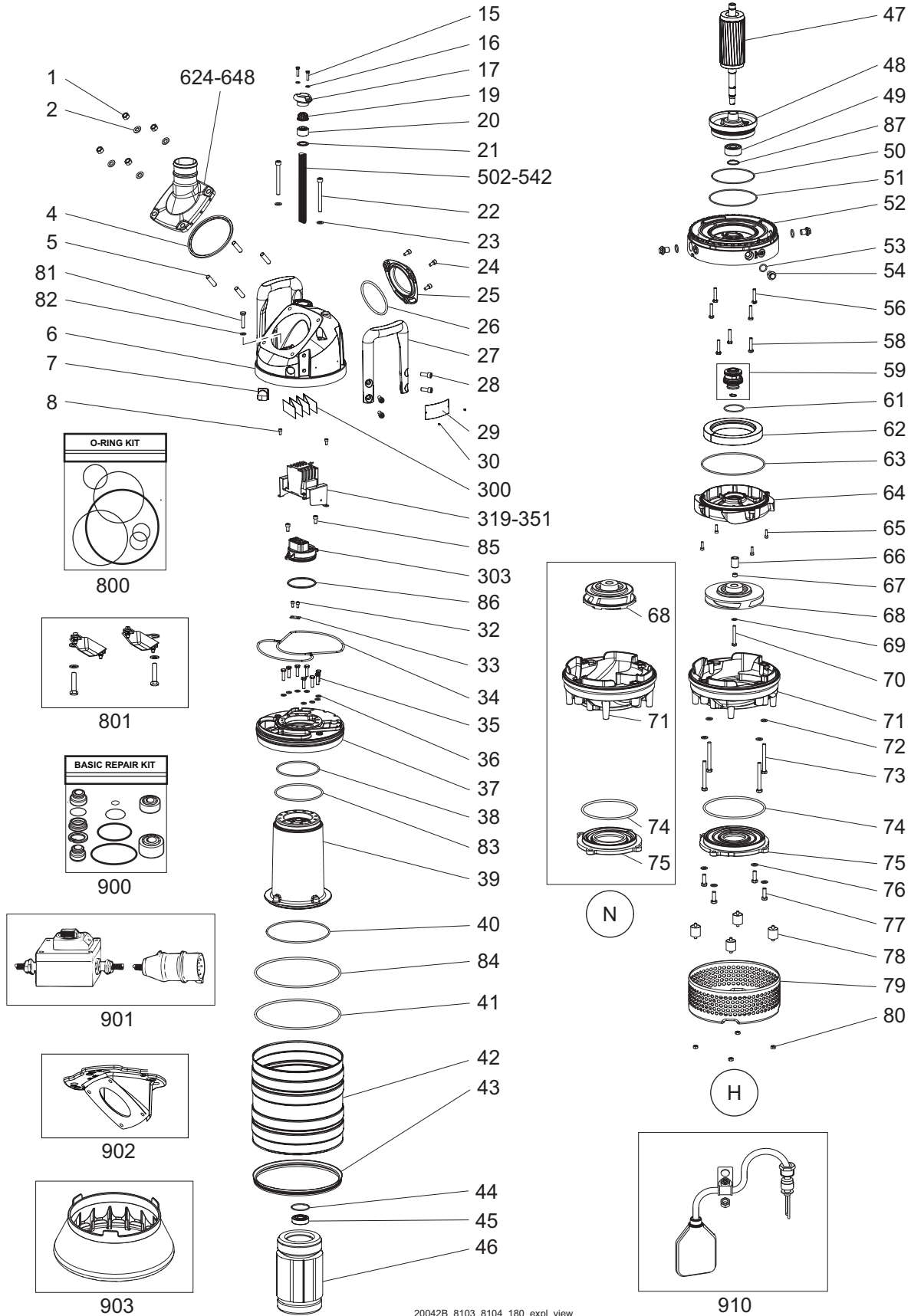


Parts List



www.grindex.com

MINOR 8103.180



Parts List

MINOR 8103.180

Overview

Table of Contents

This publication contains the following topics:

Topic

Introduction	4
Practical Information	5
Data Plate Interpretation.....	6
Order parts	7
Spare Parts	8

Introduction

Purpose

The purpose of this manual is to give the reader information about available spare parts and accessories for the product.

Recipient

The manual is principally intended for Grindex

- customers
 - service personnel
 - sales personnel
-

Contact

For more information

- contact your Grindex representative
 - visit <http://www.grindex.com/>
-

Reference

More information about the product is available in the following documents:

- Installation, Operation and Maintenance
 - Grindex accessories list
-

Practical Information

Overview

Table of Contents

This chapter contains the following topics:

Topic

Data Plate Interpretation	6
Data Plate	6
Order parts	7

Data Plate Interpretation

Introduction

The Grindex product is always provided with data plates:

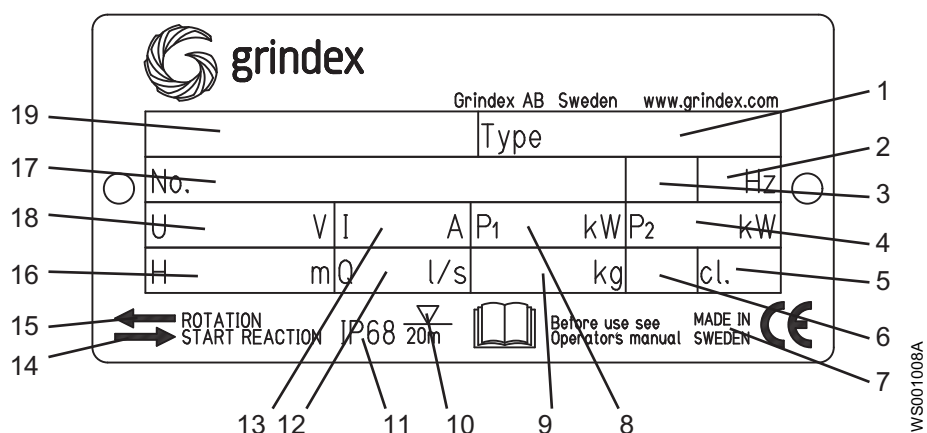
- The general data plate is used on all products.
- The approval plate is added to all explosion proof products.

Data Plate

The product may only be operated within the parameters stated on the data plate.

Illustration

This is an illustration of a general data plate.



Field description

This table shows the fields on the general data plate, and which information each field contains.

Field	Description	Field	Description
1	Pump type number	11	Degree of protection
2	Frequency	12	Maximum capacity
3	Phases, type of current	13	Rated current
4	Rated shaft power	14	Direction of the start reaction
5	Thermal class	15	Direction of the impeller rotation
6	Locked rotor code-letter	16	Maximum head
7	Country of origin	17	Serial number
8	Maximum power consumption	18	Rated voltage
9	Product weight	19	Pump model
10	Maximum submersion depth	-	-

Order parts

Order

When ordering spare parts, state product number and serial number of the product, spare part number and quantity.

Requirements

Genuine Grindex parts must always be used for repairs if the product is to fulfill requirements and obtain official approval.

Specially Approved Products

Spare parts marked with ^(EX) after the part number are subject to dimensional accuracy inspection.

Spare Parts

NOTE!

Parts with position numbers that end with .9xx are NOT included in the unit and must be ordered separately.

Pos. No	Part. No	Denomination	Qty/Version 180
1	410 011	Hexagon nut M12-A4-70	4
2	132 274	Plain washer 12-A2-A 170	4
4	50 897 00	U-ring	1
5	410 171	Stud M12X35-A2-70	4
6	51 606 00	Main cover	1
6	51 606 01	Main cover FOR FLOAT SWITCH	1
7	50 836 00	Air release valve	1
8	410 026	Hex.socket hd screw M6X12-A4-70	2
15	410 001	Hexagon head screw M6X25-A4-70	2
16	410 013	Plain washer 6-A4-170	2
17	50 932 00	Entrance flange (10)-20MM	1
17	50 932 01	Entrance flange (22)-26MM	1
19	50 926 00	Cable clip (10)-12 MM	1
19	50 926 01	Cable clip (12)-14 MM	1
19	50 926 02	Cable clip (14)-16 MM	1
19	50 926 03	Cable clip (16)-18 MM	1
19	50 926 04	Cable clip (18)-20 MM	1
19	50 926 05	Cable clip (20)-22 MM	1
19	50 926 06	Cable clip (22)-24 MM	1
19	50 926 07	Cable clip (24)-26 MM	1
20	410 727	Seal sleeve (10)-12 MM	1
20	410 728	Seal sleeve (12)-14 MM	1
20	410 729	Seal sleeve (14)-16 MM	1
20	410 730	Seal sleeve (16)-18 MM	1
20	410 731	Seal sleeve (18)-20 MM	1
20	410 732	Seal sleeve (20)-22 MM	1
20	410 733	Seal sleeve (22)-24 MM	1
20	410 734	Seal sleeve (24)-26 MM	1
21	50 127 00	Plain washer (24)-26 MM	1
21	50 127 04	Plain washer (10)-22 MM	1
22	50 022 31	Hex.socket hd screw M10X150-A2-70	2
23	50 022 26	Plain washer 10-A4-170	2

Pos. No	Part. No	Denomination	Qty/Version
24	50 021 32	Hex.socket hd screw M8X16-A4-70	3
25	50 856 00	Cover	1
26	410 016	O-ring 109.1X5.7 NBR	1
27	50 857 00	Handle	2
28	50 022 17	Hex.socket hd screw M10X25-A4-70	8
29	50 888 00	Plate-blank	1
		Use 50 907 00 (EU), 50 907 01 (US) as spare part.	
30	410 000	Drive screw 4X5-A2-70	4
32	410 026	Hex.socket hd screw M6X12-A4-70	4
33	50 902 00	Earthing plate	2
34	50 945 00	Gasket	1
35	410 002	Hexagon head screw M8X30-A4-70	8
36	50 021 38	Plain washer 8-A4-170	8
37	51 605 00	Cover	1
38	410 020	O-ring 127.0X4.0 NBR	1
39	50 949 00	Stator housing	1
40	410 021	O-ring 192.0X4.0 NBR	1
41	132 415	O-ring 259.3X5.7 NBR	1
42	50 858 00	Cooling jacket	1
43	50 987 00	Seal ring	1
44	410 023	O-ring 52.5X3.0 FPM	1
45	50 287 04	Ball bearing 6304-2Z/C3WT 20X52X15	1
46	50 904 00	Stator 15-12-2b	1
		50Hz: 660V-690V Y, 380V-400V D. 60Hz: 440V-480V D.	
46	50 904 01	Stator 15-12-2b	1
		50Hz: 415V-440V D.	
46	50 904 02	Stator 15-12-2b	1
		60Hz: 380V-400V D.	
46	50 904 03	Stator 15-12-2b	1
		60Hz: 440V-480V YSER, 220V-240V Y//.	
46	50 904 04	Stator 15-12-2b	1
		50Hz: 220V-240V D, 400V Y.	
46	50 904 05	Stator 15-12-2b	1
		60Hz: 220V-240V D, 380V Y.	
46	50 904 06	Stator 15-12-2b	1
		60Hz: 200V-208V D.	
46	50 904 07	Stator 15-12-2b	1
		50Hz: 500V D. 60Hz: 575V-600V D.	
46	50 904 08	Stator 15-12-2b	1
		50Hz: 550V D.	
46	50 904 09	Stator 15-12-2b	1
		50Hz: 1000V Y.	
46	50 904 11	Stator 15-12-2b	1
		60Hz: 380V Y//, 460V DSER.	

Pos. No	Part. No	Denomination		Qty/Version 180
46	50 904 14	Stator 15-12-2b	50Hz: 400V Y. 60Hz: 460V Y. 3-lead stator.	1
46	50 904 15	Stator 15-12-2b	60Hz: 575V-600V Y. 3-lead stator.	1
47	50 903 02	Shaft unit		1
48	50 950 00	Bearing housing		1
49	410 031	Ball bearing 3304A- 2Z/C3VT113		1
50	410 018	O-ring 129.5X3 NBR		1
51	140 377	O-ring 144.5X3.0 NBR		1
52	50 951 00	Adapter		1
53	133 064	O-ring 19.2X3 NBR		3
54	133 063	Inspection screw		3
56	410 533	Hexagon flange screw M8X40-A2-70		4
58	410 533	Hexagon flange screw M8X40-A2-70		3
59	50 901 23	Mechanical seal		1
61	410 083	O-ring 57.5X3.0 FPM		1
62	410 041	Pressure equalizer		1
63	410 021	O-ring 192.0X4.0 NBR		1
64	50 952 00	Seal housing cov.coa	H	1
64	50 953 00	Seal housing cov.coa	N	1
65	50 020 04	Hex.socket hd screw M6X20-A4-70		4
66	50 974 00	Sleeve		1
67	50 931 00	Adjustment screw		1
68	50 958 00	Impeller	50Hz, H	1
68	50 958 01	Impeller	60Hz, H	1
68	50 960 01	Impeller	50Hz, N	1
68	50 960 02	Impeller	60Hz, N	1
69	50 021 38	Plain washer 8-A4-170		1
70	410 006	Hexagon head screw M8X60-A4-80		1
71	50 954 00	Diffuser coat.	H	1
71	50 955 00	Diffuser coat.	N	1
72	50 022 26	Plain washer 10-A4-170		4
73	410 007	Hexagon head screw M10X90-A4-80		4
74	410 019	O-ring 159.3X5.7 NBR	N	1
74	50 037 45	O-ring 184.3X5.7 NBR	H	1
75	50 956 00	Suction cover	H	1

Pos. No	Part. No	Denomination	Qty/Version
75	50 957 00	Suction cover N	1
76	50 022 26	Plain washer 10-A4-170	4
77	410 004	Hexagon head screw M10X30-A2-70	4
78	50 962 00	Damper complete	4
79	50 961 00	Strainer	1
80	50 021 37	Hexagon nut M8-A4-70	4
81	410 736	Hex.socket hd screw M8X90-A2-70	1
82	50 021 38	Plain washer 8-A4-170	1
83	410 711	O-ring 145.29X1.78 NBR	1
84	132 415	O-ring 259.3X5.7 NBR	1
85	140 049	Hex.socket hd screw M8X16-A2-70	2
86	410 623	O-ring 78X4 NBR	1
87	50 278 02	Retaining ring SGA 20	1
300	51 624 00	Connection plate	1
303	51 642 00	Terminal plate unit	1
319	51 082 34	CONTACTOR UNIT 50Hz: 220V - 240V D.	1
319.1	410 008	Hex.socket hd screw M4X16-A2-70	2
319.2	410 008	Hex.socket hd screw M4X16-A2-70	2
319.3	410 012	Lock nut	2
319.4	410 012	Lock nut	2
319.5	410 776	Contactactor	1
319.6	50 900 62	Single-core cable	1
319.7	51 083 00	Holder	1
319.8	50 509 00	Cable set	1
319.9	51 511 07	Motor protector SMART	1
319.946	51 639 00	Cable set Ordered separately.	1
321	51 082 35	CONTACTOR UNIT 50Hz: 415V - 440V D.	1
321.1	410 008	Hex.socket hd screw M4X16-A2-70	4
321.2	410 008	Hex.socket hd screw M4X16-A2-70	4
321.3	410 012	Lock nut	4
321.4	410 012	Lock nut	4
321.5	410 163	Contactactor	1
321.6	50 900 62	Single-core cable	2
321.7	51 083 00	Holder	2
321.8	50 509 00	Cable set	2

Pos. No	Part. No	Denomination	Qty/Version
			180
321.9	51 511 05	Motor protector SMART	2
321.946	51 639 00	Cable set	1
		Ordered separately.	
322	51 082 13	CONTACTOR UNIT	1
		50Hz: 500V D.	
322.1	410 008	Hex.socket hd screw M4X16-A2-70	6
322.2	410 008	Hex.socket hd screw M4X16-A2-70	2
322.2	410 012	Lock nut	4
322.3	410 012	Lock nut	2
322.3	410 110	Contacteur	1
322.4	410 012	Lock nut	2
322.4	50 900 62	Single-core cable	1
322.5	410 766	Contacteur	1
322.5	51 083 00	Holder	1
322.6	50 509 00	Cable set	1
322.6	50 900 62	Single-core cable	1
322.7	51 083 00	Holder	1
322.7	51 511 05	Motor protector SMART	1
322.8	50 509 00	Cable set	1
322.9	51 511 05	Motor protector SMART	1
322.946	51 639 00	Cable set	1
		Ordered separately.	
325	51 082 45	CONTACTOR UNIT	1
		50Hz: 380V - 400V Y.	
325.1	410 008	Hex.socket hd screw M4X16-A2-70	4
325.2	410 008	Hex.socket hd screw M4X16-A2-70	4
325.3	410 012	Lock nut	4
325.4	410 012	Lock nut	4
325.5	410 162	Contacteur	1
325.6	50 900 62	Single-core cable	2
325.7	51 083 00	Holder	2
325.8	50 509 00	Cable set	2
325.9	51 511 05	Motor protector SMART	2
325.946	51 639 00	Cable set	1
		Ordered separately.	
332	51 082 36	CONTACTOR UNIT	1
		60Hz: 200V - 220V D.	
332.1	410 008	Hex.socket hd screw M4X16-A2-70	4
332.2	410 008	Hex.socket hd screw M4X16-A2-70	4
332.3	410 012	Lock nut	4
332.4	410 012	Lock nut	4
332.5	410 764	Contacteur	1

Pos. No	Part. No	Denomination	Qty/Version
332.5	410 776	Contactactor	1
332.6	50 900 62	Single-core cable	2
332.7	51 083 00	Holder	2
332.8	50 509 00	Cable set	2
332.9	51 511 08	Motor protector SMART	2
332.946	51 639 00	Cable set	1
334	51 082 37	CONTACTOR UNIT	1
334.1	410 008	Hex.socket hd screw M4X16-A2-70	2
334.2	410 008	Hex.socket hd screw M4X16-A2-70	2
334.3	410 012	Lock nut	2
334.4	410 012	Lock nut	2
334.5	410 776	Contactactor	1
334.6	50 900 62	Single-core cable	1
334.7	51 083 00	Holder	1
334.8	50 509 00	Cable set	1
334.9	51 511 08	Motor protector SMART	1
334.946	51 639 00	Cable set	1
335	51 082 15	CONTACTOR UNIT	1
335.1	410 008	Hex.socket hd screw M4X16-A2-70	6
335.2	410 008	Hex.socket hd screw M4X16-A2-70	2
335.2	410 012	Lock nut	4
335.3	410 012	Lock nut	2
335.3	410 162	Contactactor	1
335.4	410 012	Lock nut	2
335.4	50 900 62	Single-core cable	1
335.5	51 083 00	Holder	1
335.6	50 509 00	Cable set	1
335.6	50 900 62	Single-core cable	1
335.7	51 083 00	Holder	1
335.7	51 511 06	Motor protector SMART	1
335.8	50 509 00	Cable set	1
335.9	51 511 06	Motor protector SMART	1
335.946	51 639 00	Cable set	1
337	51 082 16	CONTACTOR UNIT	1
337.1	410 008	Hex.socket hd screw M4X16-A2-70	6
337.2	410 008	Hex.socket hd screw M4X16-A2-70	2

Pos. No	Part. No	Denomination	Qty/Version
			180
337.2	410 012	Lock nut	4
337.3	410 012	Lock nut	2
337.3	410 825	Contactor	1
337.4	410 012	Lock nut	2
337.4	50 900 62	Single-core cable	1
337.5	51 083 00	Holder	1
337.6	50 509 00	Cable set	1
337.6	50 900 62	Single-core cable	1
337.7	51 083 00	Holder	1
337.7	51 511 06	Motor protector SMART	1
337.8	50 509 00	Cable set	1
337.9	51 511 06	Motor protector SMART	1
337.946	51 639 00	Cable set	Ordered separately.
338	51 082 17	CONTACTOR UNIT	60Hz: 575V - 600V D. 60Hz: 575V - 600V D.
338.1	410 008	Hex.socket hd screw M4X16-A2-70	4
338.2	410 012	Lock nut	4
338.3	410 766	Contactor	1
338.4	50 900 62	Single-core cable	1
338.5	51 083 00	Holder	1
338.6	50 509 00	Cable set	1
338.7	51 511 06	Motor protector SMART	1
338.920	410 024	Terminal board	Ordered separately.
338.946	51 639 00	Cable set	Ordered separately.
339	51 082 37	CONTACTOR UNIT	60Hz: 220V - 240V Y//.
339.1	410 008	Hex.socket hd screw M4X16-A2-70	2
339.2	410 008	Hex.socket hd screw M4X16-A2-70	2
339.3	410 012	Lock nut	2
339.4	410 012	Lock nut	2
339.5	410 776	Contactor	1
339.6	50 900 62	Single-core cable	1
339.7	51 083 00	Holder	1
339.8	50 509 00	Cable set	1
339.9	51 511 08	Motor protector SMART	1
339.946	51 639 00	Cable set	Ordered separately.
339.960	410 033	Closed end splice 5.1-10.6;(AWG 18-8) L=38	Ordered separately.
340	51 082 15	CONTACTOR UNIT	60Hz: 380V - 400V D. Not CSA approved.

Pos. No	Part. No	Denomination	Qty/Version
340.1	410 008	Hex.socket hd screw M4X16-A2-70	6
340.2	410 008	Hex.socket hd screw M4X16-A2-70	2
340.2	410 012	Lock nut	4
340.3	410 012	Lock nut	2
340.3	410 162	Contactor	1
340.4	410 012	Lock nut	2
340.4	50 900 62	Single-core cable	1
340.5	51 083 00	Holder	1
340.6	50 509 00	Cable set	1
340.6	50 900 62	Single-core cable	1
340.7	51 083 00	Holder	1
340.7	51 511 06	Motor protector SMART	1
340.8	50 509 00	Cable set	1
340.9	51 511 06	Motor protector SMART	1
340.946	51 639 00	Cable set	1
341	51 082 16	CONTACTOR UNIT	1
341.1	410 008	Hex.socket hd screw M4X16-A2-70	6
341.2	410 008	Hex.socket hd screw M4X16-A2-70	2
341.2	410 012	Lock nut	4
341.3	410 012	Lock nut	2
341.3	410 825	Contactor	1
341.4	410 012	Lock nut	2
341.4	50 900 62	Single-core cable	1
341.5	51 083 00	Holder	1
341.6	50 509 00	Cable set	1
341.6	50 900 62	Single-core cable	1
341.7	51 083 00	Holder	1
341.7	51 511 06	Motor protector SMART	1
341.8	50 509 00	Cable set	1
341.9	51 511 06	Motor protector SMART	1
341.946	51 639 00	Cable set	1
350	51 082 34	CONTACTOR UNIT	1
350.1	410 008	Hex.socket hd screw M4X16-A2-70	2
350.2	410 008	Hex.socket hd screw M4X16-A2-70	2
350.3	410 012	Lock nut	2

Ordered separately.

60Hz: 440V - 480V YSER.

Ordered separately.

50Hz: 220V - 230V D. For float switch.

Pos. No	Part. No	Denomination	Qty/Version
350.4	410 012	Lock nut	2
350.5	410 776	Contactora	1
350.6	50 900 62	Single-core cable	1
350.7	51 083 00	Holder	1
350.8	50 509 00	Cable set	1
350.9	51 511 07	Motor protector SMART	1
350.946	51 639 00	Cable set	Ordered separately.
350.958	51 604 00	Fixing plate	Ordered separately.
350.968	410 077	Cable clamp	Ordered separately.
350.976	51 278 00	Bending protection	Ordered separately.
350.995	410 370	Plain washer	Ordered separately.
350.997	50 021 36	Lock nut M8-A4-70	Ordered separately.
351	51 082 45	CONTACTOR UNIT	50Hz: 400V Y. For float switch.
351.1	410 008	Hex.socket hd screw M4X16-A2-70	2
351.2	410 008	Hex.socket hd screw M4X16-A2-70	2
351.3	410 012	Lock nut	2
351.4	410 012	Lock nut	2
351.5	410 162	Contactora	1
351.6	50 900 62	Single-core cable	1
351.7	51 083 00	Holder	1
351.8	50 509 00	Cable set	1
351.9	51 511 05	Motor protector SMART	1
351.946	51 639 00	Cable set	1
351.958	51 604 00	Fixing plate	Ordered separately.
351.968	410 077	Cable clamp	Ordered separately.
351.976	51 278 00	Bending protection	Ordered separately.
351.995	410 370	Plain washer	Ordered separately.
351.997	50 021 36	Lock nut M8-A4-70	Ordered separately.
392	51 669 00	CONTACTOR UNIT	50Hz: 380V - 415V Y. For float switch.
392.1	410 008	Hex.socket hd screw M4X16-A2-70	6
392.2	410 012	Lock nut	6
392.3	410 772	Transformer 24V	1
392.4	410 771	Contactora	1
392.5	50 995 00	Holder	1
392.6	50 509 00	Cable set	2
392.7	51 511 05	Motor protector SMART	1
392.946	51 639 00	Cable set	Ordered separately.

Pos. No	Part. No	Denomination	Qty/Version
392.958	51 604 00	Fixing plate	1
392.961	410 034	Closed end splice 3-6(AWG 12-10) L=18	1
392.968	410 077	Cable clamp	1
392.976	51 278 00	Bending protection	1
392.980	410 759	Flat pin sleeve 1.0-2.6MM2	1
392.995	410 370	Plain washer	1
392.997	50 021 36	Lock nut M8-A4-70	1
392.998	410 503	Hex.socket hd screw M6X12-A2-70	3
393	51 669 02	CONTACTOR UNIT	1
		50Hz: 500V - 550V Y. For float switch.	
393.1	410 008	Hex.socket hd screw M4X16-A2-70	6
393.2	410 012	Lock nut	6
393.3	410 773	Transformer 24V	1
393.4	410 771	Contactore	1
393.5	50 995 00	Holder	1
393.6	50 509 00	Cable set	2
393.7	51 511 05	Motor protector SMART	1
393.946	51 639 00	Cable set	1
		Ordered separately.	
393.958	51 604 00	Fixing plate	1
		Ordered separately.	
393.961	410 034	Closed end splice 3-6(AWG 12-10) L=18	1
		Ordered separately.	
393.968	410 077	Cable clamp	1
		Ordered separately.	
393.976	51 278 00	Bending protection	1
		Ordered separately.	
393.980	410 759	Flat pin sleeve 1.0-2.6MM2	1
		Ordered separately.	
393.995	410 370	Plain washer	1
		Ordered separately.	
393.997	50 021 36	Lock nut M8-A4-70	1
		Ordered separately.	
393.998	410 503	Hex.socket hd screw M6X12-A2-70	3
		Ordered separately.	
395	51 669 01	CONTACTOR UNIT	1
		60Hz: 460V - 480V YSER. For float switch.	
395.1	410 008	Hex.socket hd screw M4X16-A2-70	6
395.2	410 012	Lock nut	6
395.3	410 772	Transformer 24V	1
395.4	410 771	Contactore	1
395.5	50 995 00	Holder	1
395.6	50 509 00	Cable set	2
395.7	51 511 06	Motor protector SMART	1
395.946	51 639 00	Cable set	1
		Ordered separately.	

Pos. No	Part. No	Denomination	Qty/Version
395.958	51 604 00	Fixing plate	1
395.961	410 034	Closed end splice 3-6(AWG 12-10) L=18	1
395.968	410 077	Cable clamp	1
395.976	51 278 00	Bending protection	1
395.980	410 759	Flat pin sleeve 1.0-2.6MM2	1
395.995	410 370	Plain washer	1
395.997	50 021 36	Lock nut M8-A4-70	1
395.998	410 503	Hex.socket hd screw M6X12-A2-70	3
396	51 669 03	CONTACTOR UNIT	1
		60Hz: 575V - 600V Y. For float switch.	
396.1	410 008	Hex.socket hd screw M4X16-A2-70	6
396.2	410 012	Lock nut	6
396.3	410 773	Transformer 24V	1
396.4	410 771	Contacteur	1
396.5	50 995 00	Holder	1
396.6	50 509 00	Cable set	2
396.7	51 511 06	Motor protector SMART	1
396.946	51 639 00	Cable set	1
396.958	51 604 00	Fixing plate	1
396.961	410 034	Closed end splice 3-6(AWG 12-10) L=18	1
396.968	410 077	Cable clamp	1
396.976	51 278 00	Bending protection	1
396.980	410 759	Flat pin sleeve 1.0-2.6MM2	1
396.995	410 370	Plain washer	1
396.997	50 021 36	Lock nut M8-A4-70	1
396.998	410 503	Hex.socket hd screw M6X12-A2-70	3
502	131 040	Motor cable 4G1.5 MM2 OD=10.5-11.5 MM	*
502.940	410 056	Insulating hose (10-16MM)	*
503	410 062	Motor cable 4G1.5+2X1.5 OD=15.5-16.5	*
503.940	410 056	Insulating hose (10-16MM)	*
504	131 039	Motor cable 4G2.5 MM2 OD=12.5-13.5 MM	*
504.940	410 056	Insulating hose (10-16MM)	*
505	50 777 00	Motor cable 4G2.5+2X1.5 MM2 OD=17-18	*
505.941	132 354	Insulating hose (18-22MM)	*

Pos. No	Part. No	Denomination	Qty/Version 180
515	50 777 00	Motor cable 4G2.5+2X1.5 MM2 OD=17-18	*
515.941	132 354	Insulating hose (18-22MM)	Ordered separately. *
523	410 065	Motor cable 14AWG/4 OD=14.2-15.2 MM	*
523.940	410 056	Insulating hose (10-16MM)	Ordered separately. *
524	410 067	Motor cable 12AWG/4 OD=17-18 MM	*
524.941	132 354	Insulating hose (18-22MM)	Ordered separately. *
525	410 068	Motor cable 12AWG/7 OD=20-22 MM	*
525.941	132 354	Insulating hose (18-22MM)	Ordered separately. *
527	410 069	Motor cable 10AWG/3-2-1-GC OD=20-22MM	*
527.941	132 354	Insulating hose (18-22MM)	Ordered separately. *
532	410 066	Motor cable 14AWG/7 OD=18-20 MM	*
532.941	132 354	Insulating hose (18-22MM)	Ordered separately. *
539	410 059	Motor cable SCREEN3X2.5MM2 OD=13.5-15	*
539.940	410 056	Insulating hose (10-16MM)	Ordered separately. *
542	410 061	Motor cable SCREEN 3X2.5+3X2.5 19-20	*
542.941	132 354	Insulating hose (18-22MM)	Ordered separately. *
542.950	410 054	Shrink hose ID 6.4	Ordered separately. *
542.961	410 034	Closed end splice 3-6(AWG 12-10) L=18	Ordered separately. 1
624	50 944 04	Discharge connection ISO G2.5" OUTER	1
631	50 944 00	Discharge connection DN 75 HOSE 3"	1
633	50 944 01	Discharge connection ISO G3" OUTER	1
633.970	410 028	Coupling part DN 75 G3" INNER STORZ	Ordered separately. 1
636	50 944 03	Discharge connection VICTUALIC 3"	1
638	50 944 02	Discharge connection DN 75 3-8 NPT OUTER	1
641	50 919 00	Discharge connection DN 100 HOSE 4"	1
643	50 919 01	Discharge connection ISO G4" OUTER	1
643.971	410 029	Coupling part DN 100 G4" INNER STORZ	Ordered separately. 1

Pos. No	Part. No	Denomination	Qty/Version 180
646	50 919 03	Discharge connection VICTUALIC 4"	1
648	50 919 02	Discharge connection DN 100 NPT 4-8 OUTER	1
800	51 066 00	O-ring kits	1
		Contains all position numbered O-rings.	
801	51 079 00	Zinc anode set	1
900	51 072 00	Basic repair kit	1
900.1	410 031	Ball bearing 3304A- 2Z/C3VT113	1
900.2	50 287 04	Ball bearing 6304-2Z/C3WT 20X52X15	1
900.3	410 041	Pressure equalizer	1
900.4	50 901 23	Mechanical seal	1
900.5	51 066 00	O-ring kits	1
		Contains all position numbered O-rings.	
901	410 684	Plug contact CEE/16A/4- POL/380-415V	1
901	50 100 00	Plug contact 380-415 V 3 PH 16A CEE 5P	1
901	50 100 01	Plug contact 380-415V 3-PH 32A CEE 5P	1
901	50 102 00	Phase shifter 220-575V 0-16A	1
901	50 102 01	Phase shifter 220-575V 0-22A	1
902	51 125 00	Adapter unit	1
903	51 170 00	Low-suction cuff	1
910	51 155 00	Float switch kit MAX 400V	1
910	51 155 01	Float switch kit CE, MAX 250V, 24V	1
910	51 155 02	Float switch kit CSA, MAX 250V, 24V	1

* Quantity per meter



Grindex AB • Box 7025 • SE-174 07 Sundbyberg • Sweden • Tel +46 8 606 66 00 • Fax +46 8 745 53 28 • marketing@grindex.com

© Grindex AB. The original instruction is in English. All non-English instructions are translations of the original instruction.