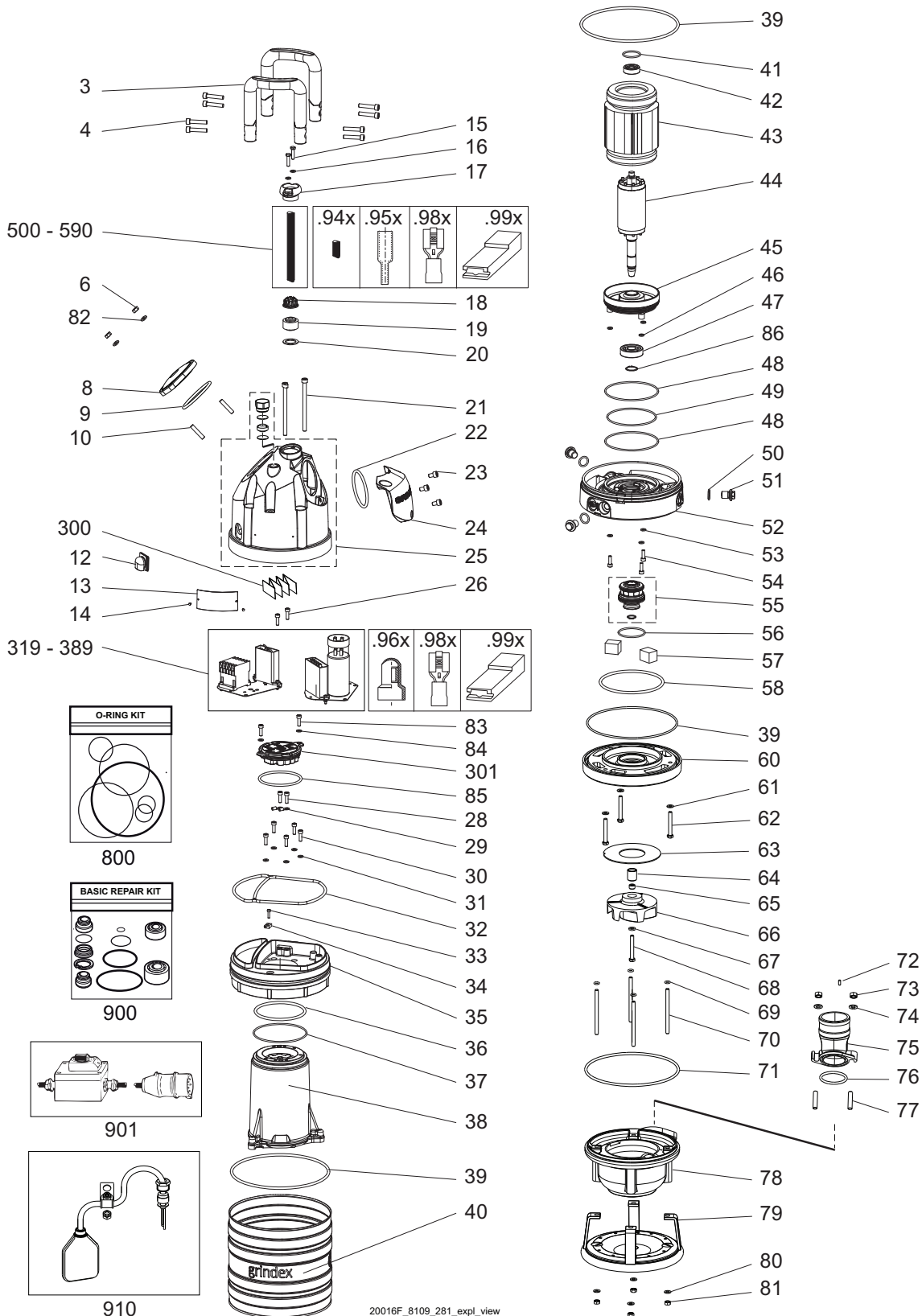


Parts List



www.grindex.com

Salvador 8109.281



Parts List

Salvador 8109.281

Overview

Table of Contents

This publication contains the following topics:

Topic

Introduction	4
Practical Information	5
Data Plate Interpretation.....	6
Order parts.....	7
Spare Parts	8

Introduction

Purpose

The purpose of this manual is to give the reader information about available spare parts and accessories for the product.

Recipient

The manual is principally intended for Grindex

- customers
 - service personnel
 - sales personnel
-

Contact

For more information

- contact your Grindex representative
 - visit <http://www.grindex.com/>
-

Reference

More information about the product is available in the following documents:

- Installation, Operation and Maintenance
 - Grindex accessories list
-

Practical Information

Overview

Table of Contents

This chapter contains the following topics:

Topic

Data Plate Interpretation	6
Data Plate.....	6
Order parts	7

Data Plate Interpretation

Introduction

The Grindex product is always provided with data plates:

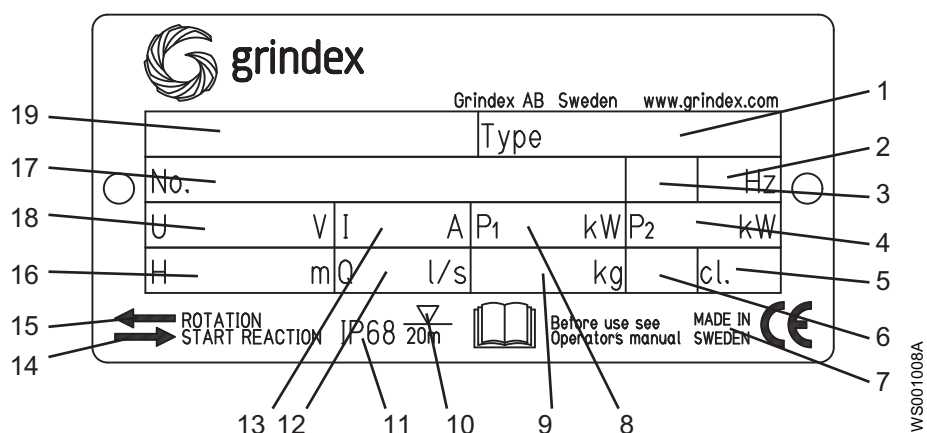
- The general data plate is used on all products.
- The approval plate is added to all explosion proof products.

Data Plate

The product may only be operated within the parameters stated on the data plate.

Illustration

This is an illustration of a general data plate.



Field description

This table shows the fields on the general data plate, and which information each field contains.

Field	Description	Field	Description
1	Pump type number	11	Degree of protection
2	Frequency	12	Maximum capacity
3	Phases, type of current	13	Rated current
4	Rated shaft power	14	Direction of the start reaction
5	Thermal class	15	Direction of the impeller rotation
6	Locked rotor code-letter	16	Maximum head
7	Country of origin	17	Serial number
8	Maximum power consumption	18	Rated voltage
9	Product weight	19	Pump model
10	Maximum submersion depth	-	-

Order parts

Order

When ordering spare parts, state product number and serial number of the product, spare part number and quantity.

Requirements

Genuine Grindex parts must always be used for repairs if the product is to fulfill requirements and obtain official approval.

Specially Approved Products

Spare parts marked with ^(EX) after the part number are subject to dimensional accuracy inspection.

Spare Parts

NOTE!

Parts with position numbers that end with .9xx are NOT included in the unit and must be ordered separately.

Pos. No	Part. No	Denomination	Qty/Version 281
3	50 873 00	Handle compl.	2
4	50 021 29	Hex.socket hd screw M8X40-A4-70	8
6	50 021 37	Hexagon nut M8-A4-70	2
8	50 884 00	Cover	1
9	410 015	O-ring 79,2X5,7-NBR	1
10	410 689	Stud M8X45-A2-70	2
12	50 836 00	Air release valve	1
13	50 888 00	Plate-blank	1
		Use 50 907 00 (EU), 50 907 01 (US) as spare part.	
14	410 000	Drive screw 4X5-A2-70	4
15	410 001	Hexagon head screw M6X25-A4-70	2
16	410 013	Plain washer 6-A4-170	2
17	50 932 00	Entrance flange (10)-20MM	1
17	50 932 01	Entrance flange (22)-26MM	1
18	50 926 00	Cable clip (10)-12 MM	1
18	50 926 01	Cable clip (12)-14 MM	1
18	50 926 02	Cable clip (14)-16 MM	1
18	50 926 03	Cable clip (16)-18 MM	1
18	50 926 04	Cable clip (18)-20 MM	1
18	50 926 05	Cable clip (20)-22 MM	1
18	50 926 06	Cable clip (22)-24 MM	1
18	50 926 07	Cable clip (24)-26 MM	1
19	410 727	Seal sleeve (10)-12 MM	1
19	410 728	Seal sleeve (12)-14 MM	1
19	410 729	Seal sleeve (14)-16 MM	1
19	410 730	Seal sleeve (16)-18 MM	1
19	410 731	Seal sleeve (18)-20 MM	1
19	410 732	Seal sleeve (20)-22 MM	1
19	410 733	Seal sleeve (22)-24 MM	1
19	410 734	Seal sleeve (24)-26 MM	1
20	50 127 00	Plain washer (24)-26 MM	1
20	50 127 04	Plain washer (10)-22 MM	1
21	50 021 21	Hex.socket hd screw M8X120-A2-70	2
22	132 355	O-ring 89,1X5,7 NBR	1

Pos. No	Part. No	Denomination	Qty/Version	
23	410 010	Hex.socket hd screw M8X12-A2-70	3	
24	50 871 00	Cover	1	
25	51 167 00	Entrance cover unit	1	
25.1	51 399 00	Gland screw	1	
25.2	51 167 01	Main cover	1	
25.3	51 400 00	Plate	2	
25.4	51 401 00	Plug	1	
26	50 020 04	Hex.socket hd screw M6X20-A4-70	2	
28	50 020 04	Hex.socket hd screw M6X20-A4-70	1	
29	410 032	Cable lug INSUL.UL/CSA 1.04-2.6 MM2	2	
29	410 177	Cable lug INSUL.UL/CSA 2.62-6.64MM2	1	
30	50 020 04	Hex.socket hd screw M6X20-A4-70	5	
31	410 013	Plain washer 6-A4-170	5	
32	50 938 01	Gasket	1	
33	410 008	Hex.socket hd screw M4X16-A2-70	1	
34	410 390	Thermal detectors	1	
35	51 151 00	Cover	1	
36	410 016	O-ring 109.1X5.7 NBR	1	
37	50 037 01	O-ring 119.5X3 NBR	1	
38	51 147 00	Stator housing	1	
39	132 422	O-ring 219.3X5.7 NBR	3	
40	50 874 00	Cooling jacket	1	
41	50 037 63	O-ring 36,2X3,0 FPM	1	
42	50 287 03	Ball bearing 6301-2Z/C3WT 12X37X12	1	
43	50 912 00	Stator 13-10-2b	3-phase 50Hz: 220-230V D, 380-415V Y.	1
43	50 912 01	Stator 13-10-2b	3-phase 50Hz: 500-550V Y. 60Hz: 575-600V Y.	1
43	50 912 02	Stator 13-10-2b	3-phase 60Hz: 230V Y//, 460-480V YSER.	1
43	50 912 03	Stator 13-10-2b	3-phase 60Hz: 220V D, 380V Y.	1
43	50 912 16	Stator 13-10-2b	3-phase 60Hz: 460V DSER, 380V Y//.	1
43	50 912 17	Stator 13-10-2b	3-phase, 60Hz: 575V-600V Y.	1

Pos. No	Part. No	Denomination	Qty/Version
43	50 912 18	Stator 13-10-2b 3-phase, 50Hz: 400V Y, 460V Y. 3-lead stator.	1
43	50 913 00	Stator 13-10-2b 1-phase 50Hz: 220-240V.	1
43	50 913 02	Stator 13-10-2b 1-phase 60Hz: 220-240V.	1
44	50 914 02	Shaft unit	1
45	50 988 06	Bearing housing	1
46	50 983 00	Gasket NBR	3
47	50 287 04	Ball bearing 6304-2Z/C3WT 20X52X15	1
48	50 037 01	O-ring 119.5X3 NBR	2
49	50 037 04	O-ring 109.5X3 NBR	1
50	133 064	O-ring 19.2X3 NBR	9
51	133 063	Inspection screw	3
52	50 990 00	Intermediate piece	1
53	410 013	Plain washer 6-A4-170	3
54	50 020 04	Hex.socket hd screw M6X20-A4-70	3
55	50 901 23	Mechanical seal	1
56	410 083	O-ring 57.5X3.0 FPM	1
57	410 040	Pressure equalizer	2
58	130 943	O-ring 139.3X5.7 NBR	1
60	51 146 00	Seal housing cover	1
61	50 021 38	Plain washer 8-A4-170	3
62	410 006	Hexagon head screw M8X60-A4-80	3
63	51 091 00	Guide plate	1
64	50 930 00	Clamping sleeve	1
65	50 931 00	Adjustment screw	1
66	50 837 00	Impeller 3-phase 50 Hz	1
66	50 837 01	Impeller 3-phase 60 Hz	1
66	50 837 02	Torque flow impeller 1-phase 60 Hz	1
66	51 092 00	Impeller 1-phase 50 Hz	1
67	410 014	Plain washer A2-170HV M8	1
68	410 006	Hexagon head screw M8X60-A4-80	1
69	50 037 18	O-ring 8X3 NBR	4
70	50 021 26	Stud M8X105-A2-70	4
71	410 161	O-ring 215.0X4.0 NBR	1
72	410 167	Parallel pin CP-H8-5X12-2343	1
73	50 022 22	Hexagon nut M10-A4-70	2
74	50 022 26	Plain washer 10-A4-170	2

Pos. No	Part. No	Denomination	Qty/Version
75	130 890	Discharge connection DN 75 ISO-G 3A OUTER	1
75	140 152	Discharge connection DN 75 HOSE 3"	1
75	50 348 00	Discharge connection DN 75 NPT 3"-8 OUTER	1
76	140 366	O-ring 56,52X5,34	1
77	410 169	Stud 10X35-A2-70	2
78	50 065 01	Pump housing	1
79	132 740	Stand	1
80	50 021 38	Plain washer 8-A4-170	4
81	50 021 37	Hexagon nut M8-A4-70	4
82	50 021 38	Plain washer 8-A4-170	2
83	410 503	Hex.socket hd screw M6X12-A2-70	2
85	50 037 58	O-ring 74,5X3,0 NBR	1
86	50 278 02	Retaining ring SGA 20	1
300	51 623 00	Connection plate	1
301	51 641 00	Terminal plate unit	1
319	50 891 40	STARTER UNIT	1
		Contactor unit, 50Hz: 220V - 230V D.	
319.1	410 008	Hex.socket hd screw M4X16-A2-70	4
319.2	410 012	Lock nut	4
319.3	410 111	Contactor	1
319.4	50 900 62	Single-core cable	1
319.5	50 883 00	Mounting plate	1
319.6	50 509 00	Cable set	1
319.7	51 511 07	Motor protector SMART	1
319.946	51 639 00	Cable set	1
		Ordered separately.	
319.983	410 742	Flat pin sleeve 0,5-1,65MM2	1
		Ordered separately.	
320	50 891 39	STARTER UNIT	1
		Contactor unit, 50Hz: 380V - 415V Y.	
320.1	410 008	Hex.socket hd screw M4X16-A2-70	4
320.2	410 012	Lock nut	4
320.3	410 109	Contactor	1
320.4	50 900 62	Single-core cable	1
320.5	50 883 00	Mounting plate	1
320.6	50 509 00	Cable set	1
320.7	51 511 05	Motor protector SMART	1
320.946	51 639 00	Cable set	1
		Ordered separately.	

Pos. No	Part. No	Denomination	Qty/Version
320.960	410 034	Closed end splice 3-6(AWG 12-10) L=18	Ordered separately. 1
320.983	410 742	Flat pin sleeve 0,5-1,65MM2	Ordered separately. 1
322	50 891 33	STARTER UNIT	Contacteur unit, 50Hz: 500V Y. 1
322.1	410 008	Hex.socket hd screw M4X16-A2-70	4
322.2	410 012	Lock nut	4
322.3	410 110	Contacteur	1
322.4	50 900 62	Single-core cable	1
322.5	50 883 00	Mounting plate	1
322.6	50 509 00	Cable set	1
322.7	51 511 05	Motor protector SMART	1
322.946	51 639 00	Cable set	Ordered separately. 1
322.960	410 034	Closed end splice 3-6(AWG 12-10) L=18	Ordered separately. 1
322.983	410 742	Flat pin sleeve 0,5-1,65MM2	Ordered separately. 1
331	50 891 41	STARTER UNIT	Contacteur unit, 60Hz: 230V Y//. 1
331.1	410 008	Hex.socket hd screw M4X16-A2-70	4
331.2	410 012	Lock nut	4
331.3	410 111	Contacteur	1
331.4	50 900 62	Single-core cable	1
331.5	50 883 00	Mounting plate	1
331.6	50 509 00	Cable set	1
331.7	51 511 08	Motor protector SMART	1
331.946	51 639 00	Cable set	Ordered separately. 1
331.960	410 034	Closed end splice 3-6(AWG 12-10) L=18	Ordered separately. 1
331.983	410 742	Flat pin sleeve 0,5-1,65MM2	Ordered separately. 1
335	50 891 35	STARTER UNIT	Contacteur unit, 60Hz: 380V Y. 1
335.1	410 008	Hex.socket hd screw M4X16-A2-70	2
335.2	410 012	Lock nut	2
335.3	410 109	Contacteur	1
335.4	50 900 62	Single-core cable	1
335.5	50 883 00	Mounting plate	1
335.6	50 509 00	Cable set	1
335.7	51 511 06	Motor protector SMART	1
335.946	51 639 00	Cable set	Ordered separately. 1
335.960	410 034	Closed end splice 3-6(AWG 12-10) L=18	Ordered separately. 1
335.983	410 742	Flat pin sleeve 0,5-1,65MM2	Ordered separately. 1

Pos. No	Part. No	Denomination	Qty/Version
338	50 891 37	STARTER UNIT Contactor unit, 60Hz: 575V - 600V Y.	1
338.1	410 008	Hex.socket hd screw M4X16-A2-70	4
338.2	410 012	Lock nut	4
338.5	50 900 62	Single-core cable	1
338.6	50 883 00	Mounting plate	1
338.7	50 509 00	Cable set	1
338.8	51 511 06	Motor protector SMART	1
338.946	51 639 00	Cable set Ordered separately.	1
338.960	410 034	Closed end splice 3-6(AWG 12-10) L=18 Ordered separately.	1
338.983	410 742	Flat pin sleeve 0,5-1,65MM2 Ordered separately.	2
339	50 891 36	STARTER UNIT Contactor unit, 60Hz: 460V - 480V YSER.	1
339.1	410 008	Hex.socket hd screw M4X16-A2-70	4
339.2	410 012	Lock nut	4
339.3	410 163	Contactor	1
339.4	50 900 62	Single-core cable	1
339.5	50 883 00	Mounting plate	1
339.6	50 509 00	Cable set	1
339.7	51 511 06	Motor protector SMART	1
339.946	51 639 00	Cable set Ordered separately.	1
339.960	410 034	Closed end splice 3-6(AWG 12-10) L=18 Ordered separately.	4
339.983	410 742	Flat pin sleeve 0,5-1,65MM2 Ordered separately.	2
350	50 891 40	STARTER UNIT Contactor unit, 50Hz: 220V - 230V D, for float switch	1
350.1	410 008	Hex.socket hd screw M4X16-A2-70	4
350.2	410 012	Lock nut	4
350.3	410 111	Contactor	1
350.4	50 900 62	Single-core cable	1
350.5	50 883 00	Mounting plate	1
350.6	50 509 00	Cable set	1
350.7	51 511 07	Motor protector SMART	1
350.946	51 639 00	Cable set Ordered separately.	1
350.960	410 034	Closed end splice 3-6(AWG 12-10) L=18 Ordered separately.	1
350.968	410 077	Cable clamp Ordered separately.	1
350.976	51 278 00	Bending protection Ordered separately.	1
350.982	410 759	Flat pin sleeve 1.0-2.6MM2 Ordered separately.	1

Pos. No	Part. No	Denomination	Qty/Version
350.995	410 370	Plain washer	1
351	50 891 39	STARTER UNIT	1
		Ordered separately.	
		Contacteur unit, 50Hz: 400V Y, for float switch.	
351.1	410 008	Hex.socket hd screw M4X16-A2-70	4
351.2	410 012	Lock nut	4
351.3	410 109	Contacteur	1
351.4	50 900 62	Single-core cable	1
351.5	50 883 00	Mounting plate	1
351.6	50 509 00	Cable set	1
351.7	51 511 05	Motor protector SMART	1
351.946	51 639 00	Cable set	1
		Ordered separately.	
351.960	410 034	Closed end splice 3-6(AWG 12-10) L=18	1
		Ordered separately.	
351.968	410 077	Cable clamp	1
		Ordered separately.	
351.976	51 278 00	Bending protection	1
		Ordered separately.	
351.982	410 759	Flat pin sleeve 1.0-2.6MM2	1
		Ordered separately.	
351.995	410 370	Plain washer	1
		Ordered separately.	
372	50 891 15	STARTER UNIT	1
		Capacitor unit, 50Hz: 220V - 240V, for float switch.	
372.1	410 008	Hex.socket hd screw M4X16-A2-70	2
372.3	410 012	Lock nut	2
372.4	50 021 36	Lock nut M8-A4-70	2
372.5	410 089	Capacitor 100MF 360/450 V	1
372.6	410 140	Capacitor 35 MF 420V	1
372.7	50 883 00	Mounting plate	1
372.8	50 906 02	Start relay SNT	1
372.9	51 004 00	Cable set	1
372.949	51 640 00	Cable set	1
		Ordered separately.	
372.960	410 034	Closed end splice 3-6(AWG 12-10) L=18	1
		Ordered separately.	
372.968	410 077	Cable clamp	1
		Ordered separately.	
372.983	410 742	Flat pin sleeve 0,5-1,65MM2	1
		Ordered separately.	
373	50 891 15	STARTER UNIT	1
		Capacitor unit, 50Hz: 220V - 240V.	
373.1	410 008	Hex.socket hd screw M4X16-A2-70	2
373.3	410 012	Lock nut	2
373.4	50 021 36	Lock nut M8-A4-70	2
373.5	410 089	Capacitor 100MF 360/450 V	1
373.6	410 140	Capacitor 35 MF 420V	1

Pos. No	Part. No	Denomination	Qty/Version 281
373.7	50 883 00	Mounting plate	1
373.8	50 906 02	Start relay SNT	1
373.9	51 004 00	Cable set	1
373.949	51 640 00	Cable set	Ordered separately. 1
373.960	410 034	Closed end splice 3-6(AWG 12-10) L=18	Ordered separately. 1
373.983	410 742	Flat pin sleeve 0,5-1,65MM2	Ordered separately. 1
388	50 891 16	STARTER UNIT	Capacitor unit, 60Hz: 220V - 240V, for float switch. 1
388.1	410 008	Hex.socket hd screw M4X16-A2-70	2
388.3	410 012	Lock nut	2
388.4	50 021 36	Lock nut M8-A4-70	2
388.5	410 089	Capacitor 100MF 360/450 V	1
388.6	410 141	Capacitor 30 MF 420V	1
388.7	50 883 00	Mounting plate	1
388.8	50 906 02	Start relay SNT	1
388.9	51 004 00	Cable set	1
388.949	51 640 00	Cable set	Ordered separately. 1
388.960	410 034	Closed end splice 3-6(AWG 12-10) L=18	Ordered separately. 1
388.968	410 077	Cable clamp	Ordered separately. 1
388.983	410 742	Flat pin sleeve 0,5-1,65MM2	Ordered separately. 1
389	50 891 16	STARTER UNIT	Capacitor unit, 60Hz: 220V - 240V. 1
389.1	410 008	Hex.socket hd screw M4X16-A2-70	2
389.3	410 012	Lock nut	2
389.4	50 021 36	Lock nut M8-A4-70	2
389.5	410 089	Capacitor 100MF 360/450 V	1
389.6	410 141	Capacitor 30 MF 420V	1
389.7	50 883 00	Mounting plate	1
389.8	50 906 02	Start relay SNT	1
389.9	51 004 00	Cable set	1
389.949	51 640 00	Cable set	Ordered separately. 1
389.983	410 742	Flat pin sleeve 0,5-1,65MM2	Ordered separately. 1
392	50 891 47	STARTER UNIT	Contacteur unit, 50Hz: 380V - 415V Y. For float switch. 1
392.1	410 008	Hex.socket hd screw M4X16-A2-70	6
392.2	410 012	Lock nut	6
392.3	410 772	Transformer 24V	1

Pos. No	Part. No	Denomination	Qty/Version
392.4	410 771	Contactator	1
392.5	50 883 00	Mounting plate	1
392.6	50 509 00	Cable set	2
392.7	51 511 05	Motor protector SMART	1
392.946	51 639 00	Cable set	Ordered separately.
392.960	410 034	Closed end splice 3-6(AWG 12-10) L=18	Ordered separately.
392.968	410 077	Cable clamp	Ordered separately.
392.976	51 278 00	Bending protection	Ordered separately.
392.982	410 759	Flat pin sleeve 1.0-2.6MM2	Ordered separately.
392.995	410 370	Plain washer	Ordered separately.
393	50 891 49	STARTER UNIT	Contactator unit, 50Hz: 500V - 550V Y. For float switch.
393.1	410 008	Hex.socket hd screw M4X16-A2-70	6
393.2	410 012	Lock nut	6
393.3	410 773	Transformer 24V	1
393.4	410 771	Contactator	1
393.5	50 883 00	Mounting plate	1
393.6	50 509 00	Cable set	2
393.7	51 511 05	Motor protector SMART	1
393.946	51 639 00	Cable set	Ordered separately.
393.960	410 034	Closed end splice 3-6(AWG 12-10) L=18	Ordered separately.
393.968	410 077	Cable clamp	Ordered separately.
393.976	51 278 00	Bending protection	Ordered separately.
393.982	410 759	Flat pin sleeve 1.0-2.6MM2	Ordered separately.
393.995	410 370	Plain washer	Ordered separately.
395	50 891 48	STARTER UNIT	Contactator unit, 60Hz: 460V - 480V YSER. For float switch.
395.1	410 008	Hex.socket hd screw M4X16-A2-70	6
395.2	410 012	Lock nut	6
395.3	410 772	Transformer 24V	1
395.4	410 771	Contactator	1
395.5	50 883 00	Mounting plate	1
395.6	50 509 00	Cable set	2
395.7	51 511 06	Motor protector SMART	1
395.946	51 639 00	Cable set	Ordered separately.
395.960	410 034	Closed end splice 3-6(AWG 12-10) L=18	Ordered separately.
395.968	410 077	Cable clamp	Ordered separately.

Pos. No	Part. No	Denomination	Qty/Version
395.976	51 278 00	Bending protection	1
395.982	410 759	Flat pin sleeve 1.0-2.6MM2	1
395.995	410 370	Plain washer	1
396	50 891 50	STARTER UNIT	1
396.1	410 008	Hex.socket hd screw M4X16-A2-70	6
396.2	410 012	Lock nut	6
396.3	410 773	Transformer 24V	1
396.4	410 771	Contactor	1
396.5	50 883 00	Mounting plate	1
396.6	50 509 00	Cable set	2
396.7	51 511 06	Motor protector SMART	1
396.946	51 639 00	Cable set	1
396.960	410 034	Closed end splice 3-6(AWG 12-10) L=18	2
396.968	410 077	Cable clamp	1
396.976	51 278 00	Bending protection	1
396.982	410 759	Flat pin sleeve 1.0-2.6MM2	1
396.995	410 370	Plain washer	1
500	410 039	Cable with plug 3G1.5 MM2 OD=10-11MM L=20	1
500.940	410 056	Insulating hose (10-16MM)	*
500.983	410 742	Flat pin sleeve 0,5-1,65MM2	2
501	131 042	Motor cable 3G1.5 MM2 OD=10-11 MM	*
501.940	410 056	Insulating hose (10-16MM)	*
501.983	410 742	Flat pin sleeve 0,5-1,65MM2	2
502	131 040	Motor cable 4G1.5 MM2 OD=10.5-11.5 MM	*
502.940	410 056	Insulating hose (10-16MM)	*
503	410 062	Motor cable 4G1.5+2X1.5 OD=15.5-16.5	*
503.940	410 056	Insulating hose (10-16MM)	*
504	131 039	Motor cable 4G2.5 MM2 OD=12.5-13.5 MM	*
504.940	410 056	Insulating hose (10-16MM)	*
522	410 064	Motor cable 14AWG/3 OD=13.2-14.2 MM	*
522.940	410 056	Insulating hose (10-16MM)	*
522.982	410 759	Flat pin sleeve 1.0-2.6MM2	2
523	410 065	Motor cable 14AWG/4 OD=14.2-15.2 MM	*

Pos. No	Part. No	Denomination	Qty/Version
523.940	410 056	Insulating hose (10-16MM)	Ordered separately.
532	410 066	Motor cable 14AWG/7 OD=18-20 MM	*
532.941	132 354	Insulating hose (18-22MM)	Ordered separately.
538	410 058	Motor cable SCREEN 3X1.5MM2 13.5-14.9	*
538.940	410 056	Insulating hose (10-16MM)	Ordered separately.
538.950	410 055	Shrink hose	Ordered separately.
542	410 061	Motor cable SCREEN 3X2.5+3X2.5 19-20	*
542.941	132 354	Insulating hose (18-22MM)	Ordered separately.
700	51 095 00	Anode unit	1
800	51 165 00	O-ring kit	Contains all position numbered O-rings.
900	51 163 00	Basic repair kit	1
900.1	50 287 03	Ball bearing 6301-2Z/C3WT 12X37X12	1
900.2	50 287 04	Ball bearing 6304-2Z/C3WT 20X52X15	1
900.3	410 040	Pressure equalizer	2
900.4	50 901 23	Mechanical seal	1
900.5	51 165 00	O-ring kit	Contains all position numbered O-rings.
901	410 035	Plug contact 250V 1PH 10A T12 SEV1011	1
901	410 038	Plug contact 250V 1PH 15A NEMA 6-15	1
901	410 042	Plug contact 230V 1PH 16A CEE 3P	1
901	410 684	Plug contact CEE/16A/4- POL/380-415V	1
901	50 100 00	Plug contact 380-415 V 3 PH 16A CEE 5P	1
901	50 102 00	Phase shifter 220-575V 0-16A	1
910	51 155 00	Float switch kit MAX 400V	1
910	51 155 01	Float switch kit CE, MAX 250V, 24V	1
910	51 155 02	Float switch kit CSA, MAX 250V, 24V	1

* Quantity per meter



Grindex AB • Box 7025 • SE-174 07 Sundbyberg • Sweden • Tel +46 8 606 66 00 • Fax +46 8 745 53 28 • marketing@grindex.com

© Grindex AB. The original instruction is in English. All non-English instructions are translations of the original instruction.