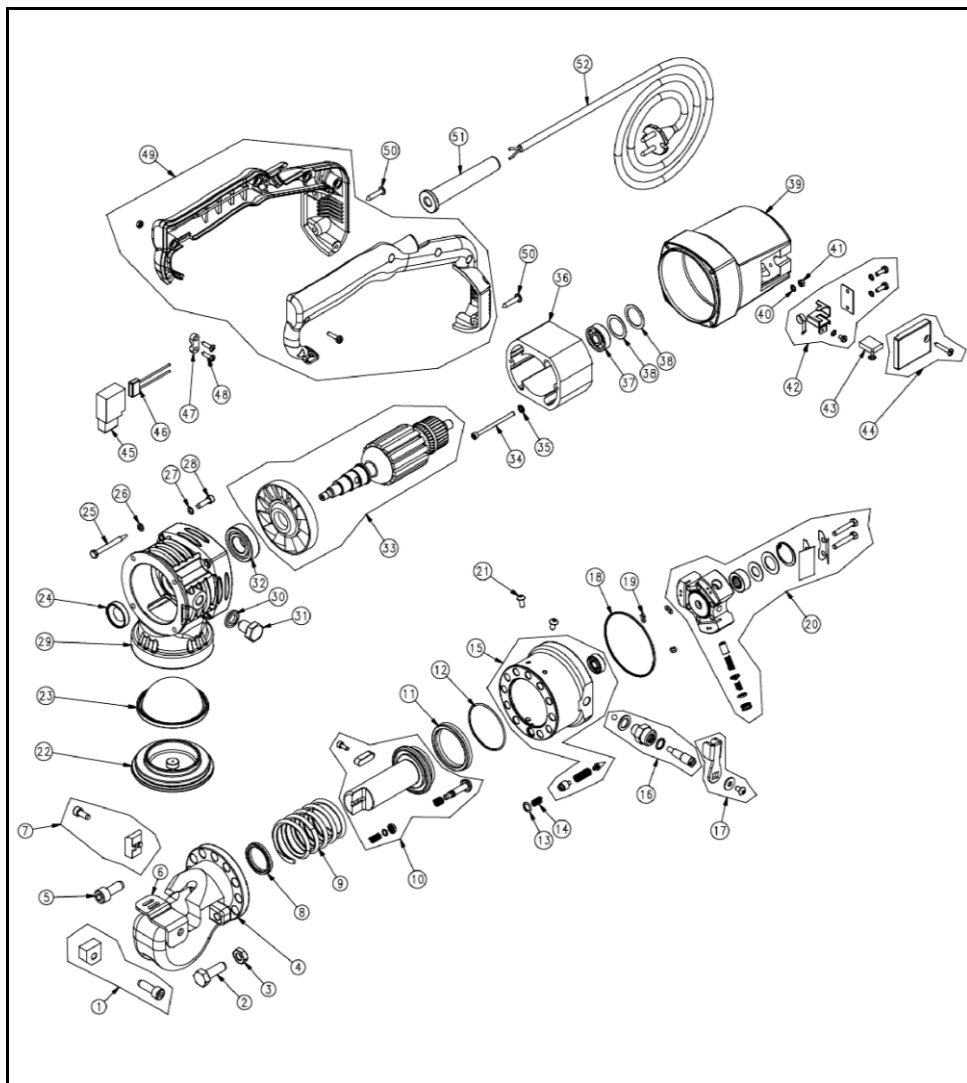


Macchine ed attrezzature per edilizia, industria e soccorso

Via Callesello, 4 – 31030 Borso Del Grappa – TV

<http://www.edilgrappa.com>

## ELECTRIC CUTTER MU18 Item 1.50.689



**ELECTRIC CUTTER MU18 Item 1.50.689**

<b>Pos.</b>	<b>Item</b>	<b>Description</b>	<b>Q.ty</b>
1	1.50.1546	STATIONARY BLADE	1
2	1.60.196	SCREW	1
3	1.60.237	NUT	1
4	1.10.3903	HEAD	1
5	1 60 112	SCREW	11
6	1.10.4539	STATIONARY BLADE GUARD	1
7	1.50.1547	MOBILE BLADE	1
8	1.30.495	GASKET	1
9	1.10.231	SPRING	1
10	1.50.708	PISTON ASSEMBLY	1
11	1.30.032	GASKET	1
12	1.30.045	ORING	1
13	1.30.225	ORING	1
14	1.10.248	SPRING	1
15	1.50.935	CYLINDER ASSEMBLY	1
16	1.50.1932	MANUAL RETURN VALVE	1
17	1.50.1933	MANUAL RETURN LEVER	1
18	1.30.046	ORING	1
19	1.30.017	ORING	3
20	1.50.511	PUMP ASSEMBLY	1
21	1.60.937	SCREW	2
22	1.10.1726	TANK COVER	1
23	1.30.276	MEMBRANE	1
24	1.60.014	OIL SEAL	1
25	1.60.151	SCREW	4
26	1.60.314	WASHER	4
27	1.60.410	WASHER	4
28	1.60.3021	SCREW	4
29	1.10.1725	OIL TANK	1
30	1.60.337	GASKET	1
31	1.50.506	MAGNETIC CAP	1

32	1.60.013	BEARING	1
33	200.009	ARMATURE WITH FAN	1
34	1.60.142	SCREW	2
35	1.60.382	WASHER	2
36	1.40.016	STATOR	1
37	1.60.003	BEARING	1
38	1.60.324	RING	2
39	1.30.034	MOTOR HOUSING	1
40	1.10.811	WASHER	2
41	1 60 207	NUT	2
42	1.50.1936	BRUSH HOLDING SET	1
43	1.30.005	BRUSH	1
44	1.50.1391	BRUSH COVER	1
45	1.40.147	SWITCH	1
46	1.40.002	ELECTRONIC FILTER	1
47	1.30.020	CABLE HOLDER	1
48	1.60.129	SCREW	2
49	1.50.1387	HANDLE ASSEMBLY	1
50	1.60.147	SCREW	3
51	1.30.021	CABLE NIPPLE	1
52	1.40.012	CABLE WITH PLUG	1