

WEDA L110N ESF

Spare Parts List Dewatering Pumps

WEDA L110N ESF s/n ESF999999 -



General information

Use only authorized parts. Any damage or malfunction caused by the use of unauthorized parts is not covered by Warranty or Product Liability. Any unauthorized use or copying of the contents or any part thereof is prohibited. This applies in particular to trademarks, model denominations, part numbers, and drawings.

Instructions for use

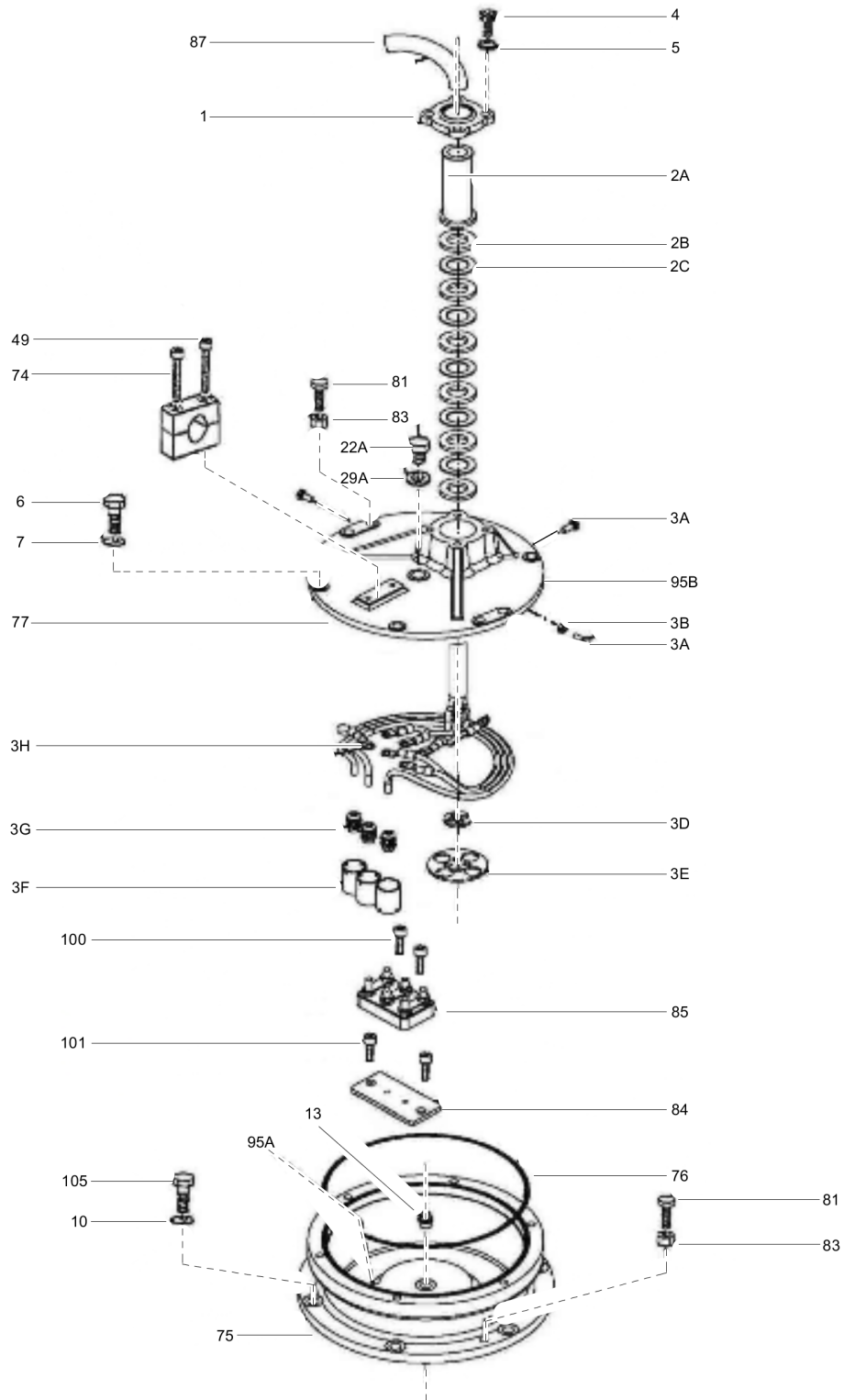
This spare parts list contains no safety regulations and is merely intended to assist in the ordering of spare parts.

For information about operating, servicing, or repairing, the relevant Safety and operating instructions must be consulted at all costs.

Please observe the safety instructions listed in the relevant Safety and operating instructions!

Cover assembly	1
Wet end assembly	3
Motor assembly	5
Oil chamber assembly	7
Mechanical seal cross section	9

Cover assembly



Refer to Parts Online for the most up to date information. The printed information might be outdated.

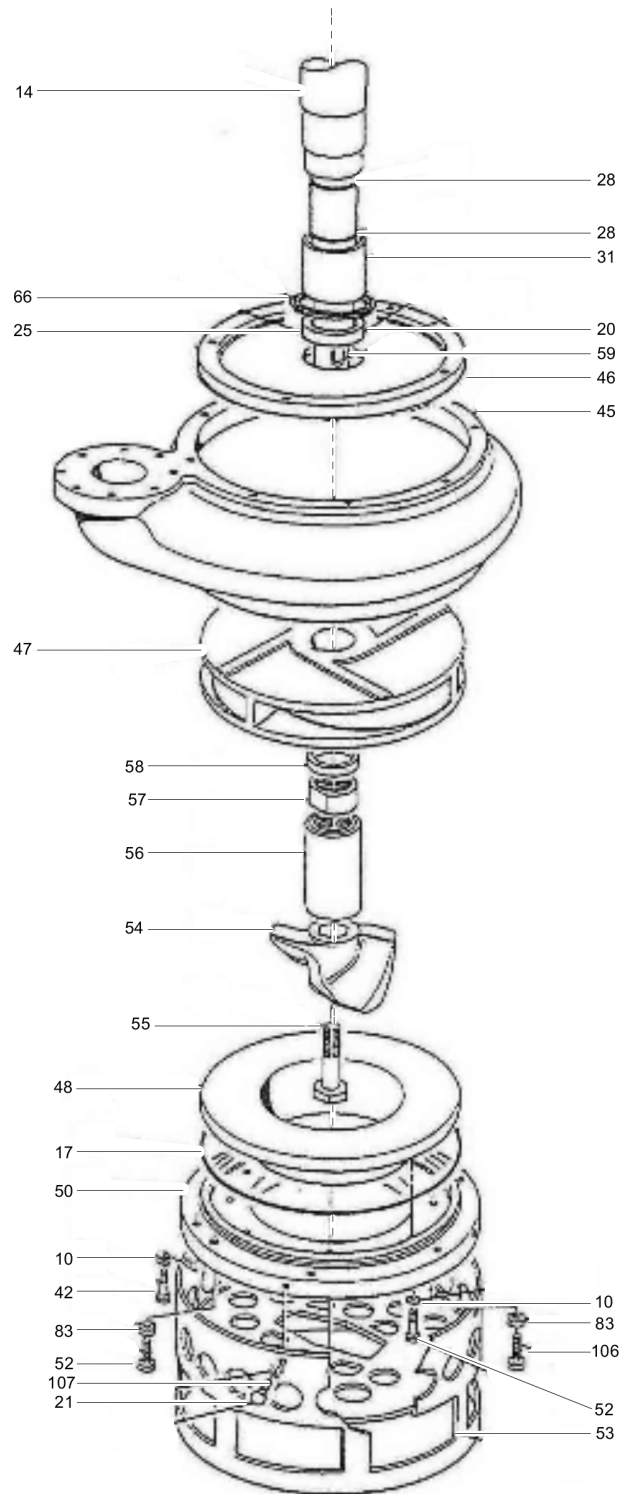
Thu Apr 23 01:30:49 UTC 2020

Item	Part No.	Name	Qty	L
1	308170001	Cable gland	1	
2A	3081710002	Cable rubber sleeve	1	
2B	3081710003	Steel washer	6	
2C	3081710004	Rubber washer	5	
3A	3081710005	Screw	3	
3B	3081710006	Washer	3	
3D	3081710007	Upper wires spacer	1	
3E	3081710008	Lower wires spacer	1	
3F	3081710009	Cable gland pipe	3	
3G	3081710010	Cable gland	3	
3H	3081710011	Terminal	6	
4	3081710012	Screw	4	
5	3081710013	Seal washer	4	
6	3081710014	Screw	6	
7	3081710015	Seal washer	6	
10	3081710018	Seal washer	36	
13	3081710021	Plug	1	
22A	3081710097	Plug	1	
29A	3081710103	Washer	1	
49	3081710117	Screw	2	
74	3081710132	Cable clip	1	
75	3081710133	Electric motor cover	1	
76	3081710134	O-ring	1	
77	3081710135	Stuffing box	1	
81	3081710138	Screw	12	
83	3081710139	Nut	18	
84	3081710140	Terminal board plate	1	
85	3081710141	Terminal board	1	
87	3081710142	Electric cable	-	
95A	3081710148	Cable resin casting	-	
95B	3081710148	Cable resin casting	-	
100	3081710149	Screw	2	
101	3081710150	Screw	2	
105	3081710157	Screw	6	

Refer to Parts Online for the most up to date information. The printed information might be outdated.

Thu Apr 23 01:30:49 UTC 2020

Wet end assembly



Refer to Parts Online for the most up to date information. The printed information might be outdated.

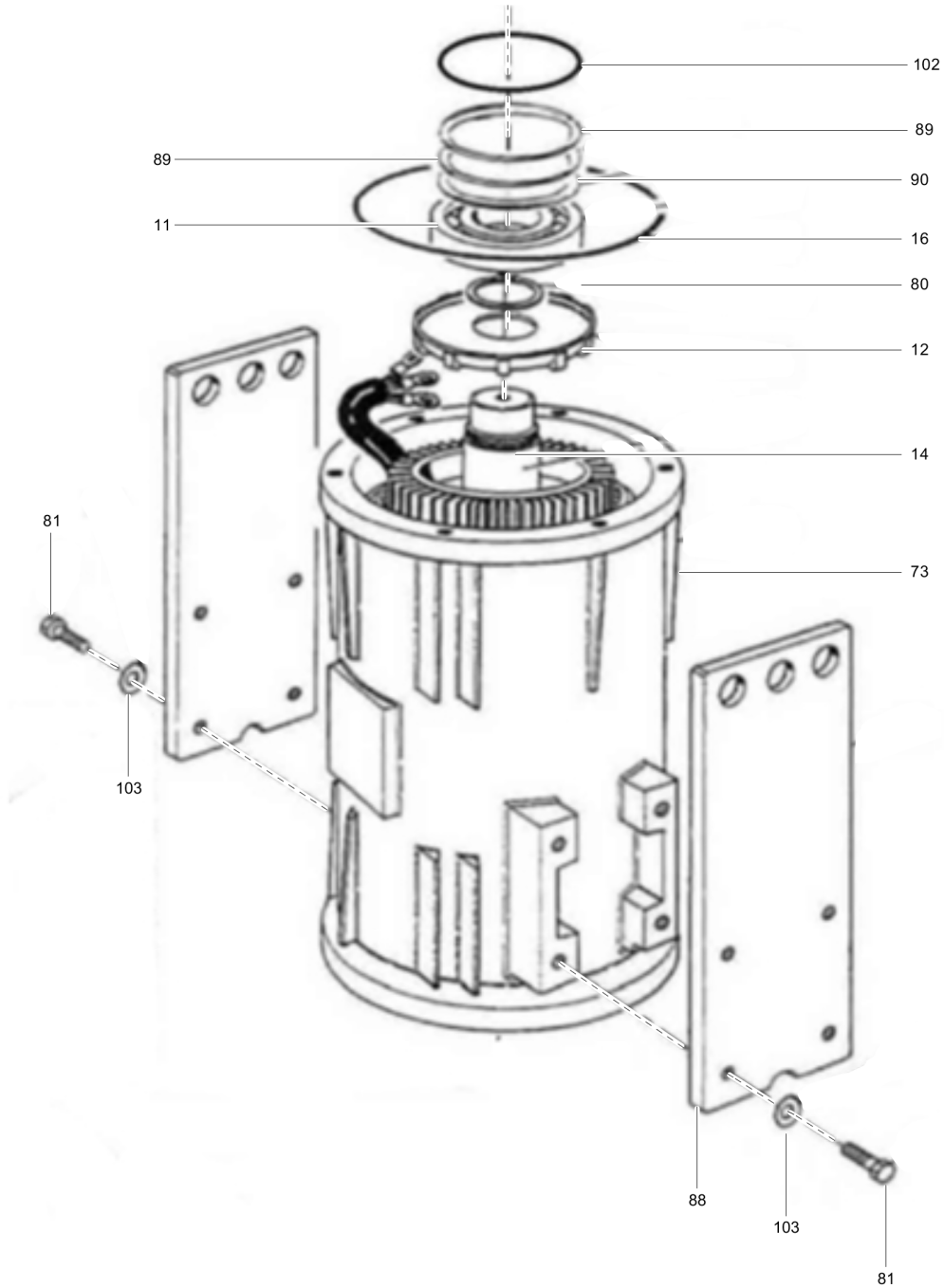
Thu Apr 23 01:30:49 UTC 2020

Item	Part No.	Name	Qty	L
10	3081710018	Seal washer	36	
14	3081710088	Main shaft + Rotor	1	
17	3081710091	O-ring	2	
20	3081710094	Wearing spacer	1	
21	3081710095	Screw	4	
25	3081710099	Grub screw	4	
28	3081710101	O-ring	2	
31	3081710104	Lower shaft sleeve	1	
42	3081710110	Screw	10	
45	3081710113	Casing	1	
46	3081710114	Upper wear plate	1	
47	3081601972	Impeller 50Hz	1	
48	3081710116	Lower wear plate	1	
50	3081710118	Suction cover	1	
52	3081710119	Screw	10	
53	3081710120	Strainer stand	1	
54	3081710121	Agitator	1	
55	3081710122	Agitator screw	1	
56	3081710123	Agitator connective	1	
57	3081710124	Agitator nut	1	
58	3081710125	Agitator spacer	1	
59	3081710126	Key	1	
66	3081710129	Seal	1	
83	3081710139	Nut	18	
106	3081710158	Screw	4	
107	3081710159	Washer	4	

Refer to Parts Online for the most up to date information. The printed information might be outdated.

Thu Apr 23 01:30:49 UTC 2020

Motor assembly



Refer to Parts Online for the most up to date information. The printed information might be outdated.

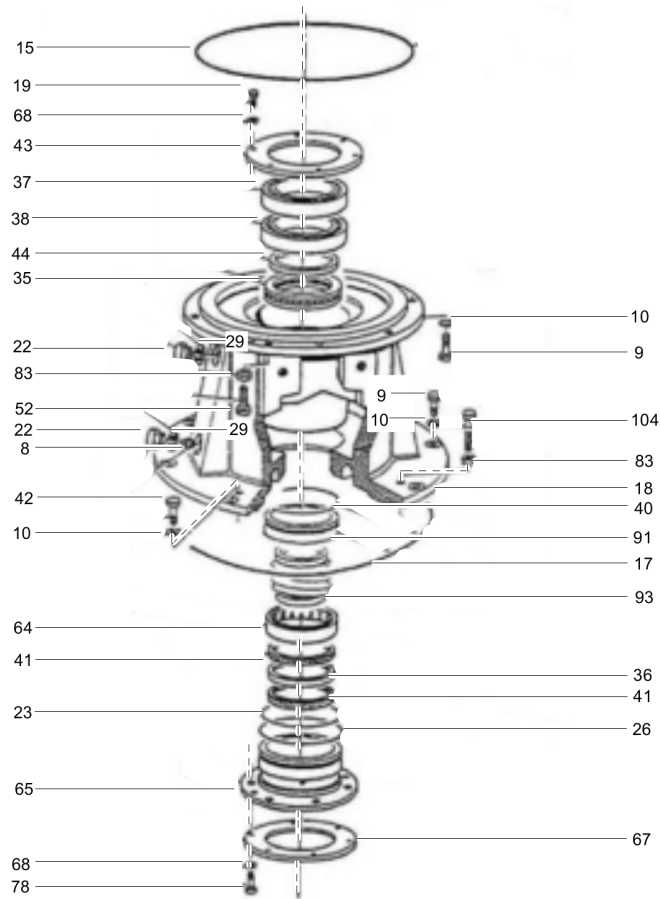
Thu Apr 23 01:30:50 UTC 2020

Item	Part No.	Name	Qty	L
11	3081710019	Ball bearing	1	
12	3081710020	Motor fan	1	
14	3081710088	Main shaft + Rotor	1	
16	308170090	O-ring	1	
73	3081710131	Motor housing + Stator	1	
80	3081710137	Seeger ring	1	
81	3081710139	Nut	12	
88	3081710143	Lifting plate	2	
89	3081710144	Spring washer	2	
90	3081710145	Spacer	1	
102	3081710151	O-ring	1	
103	3081710152	Washer	8	

Refer to Parts Online for the most up to date information. The printed information might be outdated.

Thu Apr 23 01:30:50 UTC 2020

Oil chamber assembly



Refer to Parts Online for the most up to date information. The printed information might be outdated.

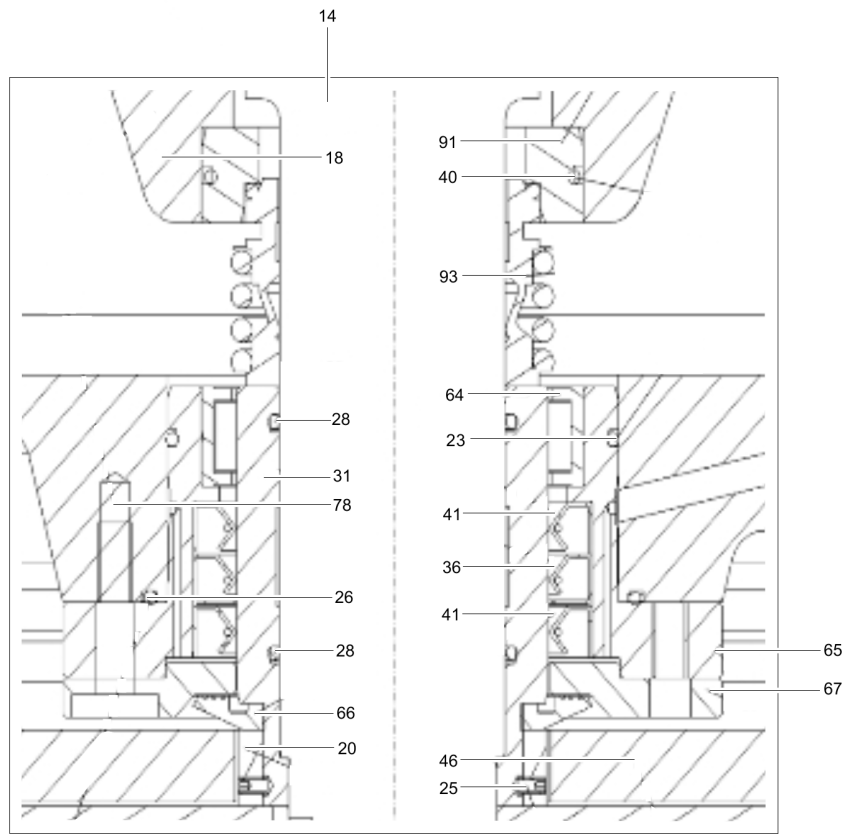
Thu Apr 23 01:30:50 UTC 2020

Item	Part No.	Name	Qty	L
8	3081710016	Grease nipple	2	
9	3081710017	Screw	16	
10	3081710018	Seal washer	36	
15	3081710089	O-ring	1	
17	3081710091	O-ring	2	
18	3081710092	Oil chamber	1	
19	3081710093	Screw	6	
22	3081601685	Plug	4	
23	3081710098	O-ring	1	
26	3081710100	O-ring	1	
29	3081601626	Copper washer	4	
35	3081710105	Thrust bearing	1	
36	3081710106	Seal	1	
37	3081710107	Ball bearing	1	
38	3081710108	Ball bearing	1	
40	3081710109	O-ring	1	
41	3081710106	Seal	2	
42	3081710110	Screw	10	
43	3081710111	Bearing flange	1	
44	3081710112	Spacer	1	
52	3081710119	Screw	10	
64	3081710127	Roller bearing	1	
65	3081710128	Lower seals housing	1	
67	3081710130	Lower seals flange	1	
68	3081710003	Steel washer	12	
78	3081601602	Bolt TE M10x40	6	
83	3081710139	Nut	18	
91	3081710146	Upper mechanical seal housing	1	
93	3081601973	Mechanical seal	1	
104	3081710153	Screw	2	

Refer to Parts Online for the most up to date information. The printed information might be outdated.

Thu Apr 23 01:30:50 UTC 2020

Mechanical seal cross section



Refer to Parts Online for the most up to date information. The printed information might be outdated.

Thu Apr 23 01:30:51 UTC 2020

Item	Part No.	Name	Qty	L
14	3081710088	Main shaft + Rotor	1	
18	3081710092	Oil chamber	1	
20	3081710094	Wearing spacer	1	
23	3081710098	O-ring	1	
25	3081710099	Grub screw	4	
26	3081710100	O-ring	1	
28	3081710101	O-ring	2	
31	3081710104	Lower shaft sleeve	1	
36	3081710106	Seal	1	
40	3081710109	O-ring	1	
41	3081710106	Seal	2	
46	3081710114	Upper wear plate	1	
64	3081710127	Roller bearing	1	
65	3081710128	Lower seals housing	1	
66	3081710129	Seal	1	
67	3081710130	Lower seals flange	1	
78	3081601602	Bolt TE M10x40	6	
91	3081710146	Upper mechanical seal housing	1	
93	3081601973	Mechanical seal	1	

Refer to Parts Online for the most up to date information. The printed information might be outdated.

Thu Apr 23 01:30:51 UTC 2020

Any unauthorized use or copying of the contents or any part thereof is prohibited.
This applies in particular to trademarks, model denominations, part numbers, and drawings.

