

WEDA D50/D60 ESF

Spare Parts List Portable Dewatering Pump

WEDA D50/D60 ESF s/n ESF999999 -



General information

Use only authorized parts. Any damage or malfunction caused by the use of unauthorized parts is not covered by Warranty or Product Liability. Any unauthorized use or copying of the contents or any part thereof is prohibited. This applies in particular to trademarks, model denominations, part numbers, and drawings.

Instructions for use

This spare parts list contains no safety regulations and is merely intended to assist in the ordering of spare parts.

For information about operating, servicing, or repairing, the relevant Safety and operating instructions must be consulted at all costs.

Please observe the safety instructions listed in the relevant Safety and operating Instructions.

Kits and consumables - D50	1
Kits and consumables - D60	3
Overview units	5
Top housing unit	7
Starter unit terminal board	9
Starter unit contactor	11
Starter unit contactor, toroid trafo	13
Starter unit contactor, toroid trafo, control relay	15
Starter unit contactor, control relay	17
Stator unit WEDA D50	19
Stator unit WEDA D60	21
Seal unit	23
Shaft unit WEDA D50N/H, WEDA D60N/H	25
Shaft unit WEDA D60SH	27
Wet end unit WEDA D50N/ D60N	29
Wet end unit WEDA D50H, WEDA D60H 60Hz	31
Wet end unit WEDA D60H 50Hz	33
Wet end unit WEDA D60SH 50Hz	35
Wet end unit WEDA D60SH 60Hz	37
Discharge unit 3" HOSE	39
Discharge unit 3" ISO-G/ NPT	41
Discharge unit 4" HOSE	43
Discharge unit 4" ISO-G/NPT	45
Cable unit	47
Plug	51
Float switch unit	53
O-ring kit	55
Zinc anode kit	57

Kits and consumables - D50

Kits and consumables WEDA D50/ D60 ESF	Item Number	Description	Change Interval / Quantity	
			6 Months/ 2000 hours	When Needed
Service and repair kits	1	Repair kit seal unit		1
	2	O-ring kit		1
	3	Zinc anode kit		1
Seal unit kits	4	Oil can 1 Liter/0.26 Gallon	1 Lite/0.26 Gallon	1
Wear part kit	5	Wear parts kit WEDA D50N 50Hz		1
	6	Wear parts kit WEDA D50N 60Hz		1
	7	Wear parts kit WEDA D50H 50Hz		1
	8	Wear parts kit WEDA D50H 60Hz		1

Refer to Parts Online for the most up to date information. The printed information might be outdated.

Fri Apr 24 06:21:52 UTC 2020

Item	Part No.	Name	Qty	L
1	3081690253	Repair kit seal	1	
2	3081690296	O-ring kit	1	
3	3081690291	Zinc anode kit	1	
4	1636302422	Oil can 1 Liter/0.26 Gallon	2	
5	3081690233	Wear parts kit D50N 50Hz	1	
6	3081690235	Wear parts kit D50N 60Hz	1	
7	3081690234	Wear parts kit D50H 50Hz	1	
8	3081690236	Wear parts kit D50H 60Hz	1	

Refer to Parts Online for the most up to date information. The printed information might be outdated.

Fri Apr 24 06:21:52 UTC 2020

Kits and consumables - D60

Kits and consumables WEDA D50/ D60 ESF	Item Number	Description	Change Interval / Quantity	
			6 Months/ 2000 hours	When Needed
Service and repair kits	1	Repair kit seal unit		1
	2	O-ring kit		1
	3	Zinc anode kit		1
Seal unit kits	4	Oil can 1 Liter/0.26 Gallon	1 Lite/0.26 Gallon	1
Wear part kit	5	Wear parts kit WEDA D60N 50Hz		1
	6	Wear parts kit WEDA D60N 60Hz		1
	7	Wear parts kit WEDA D60H 50Hz		1
	8	Wear parts kit WEDA D60H 60Hz		1
	9	Wear parts kit WEDA D60SH 50Hz		1
	10	Wear parts kit WEDA D60SH 60Hz		1

Refer to Parts Online for the most up to date information. The printed information might be outdated.

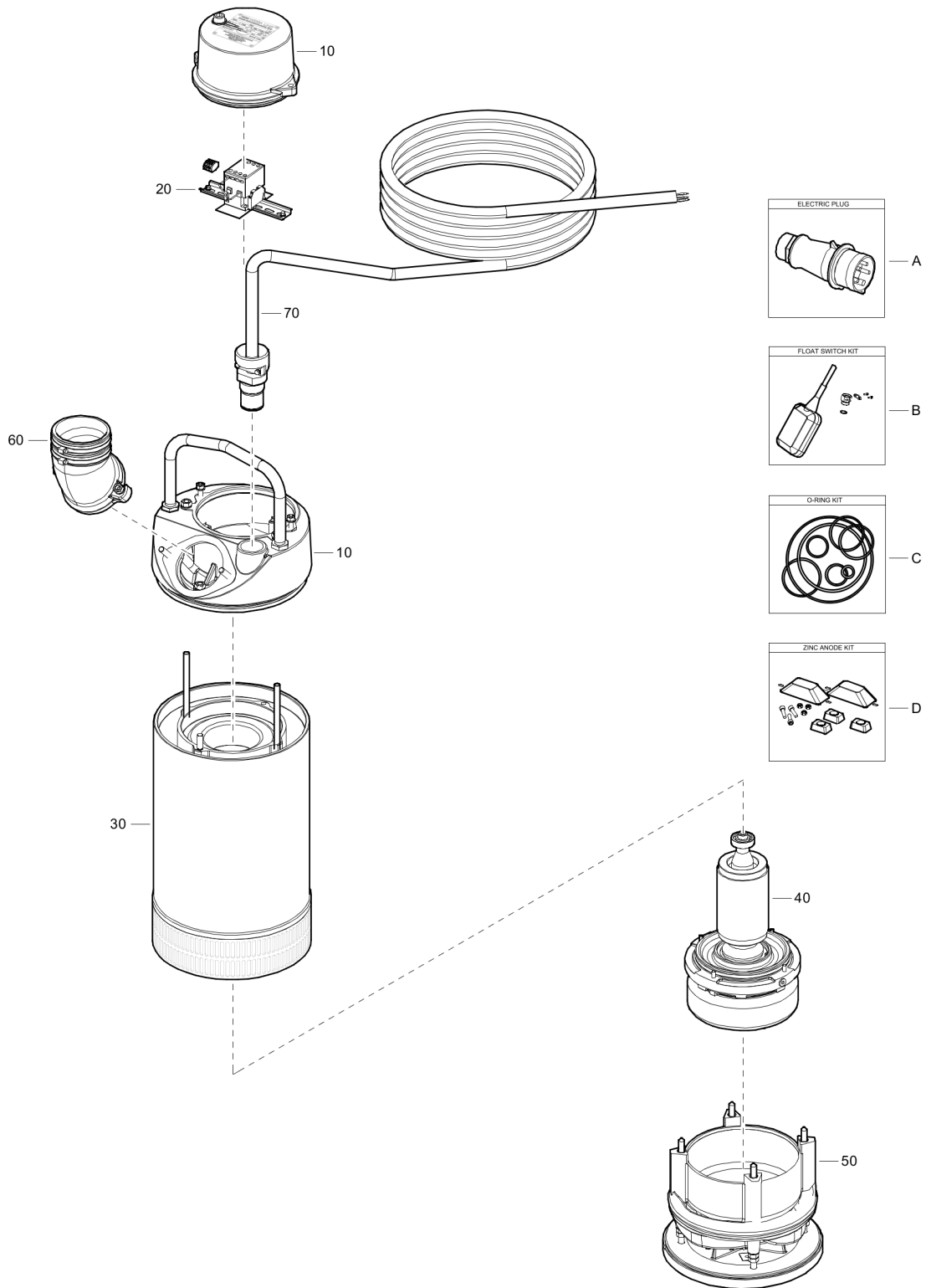
Fri Apr 24 06:21:52 UTC 2020

Item	Part No.	Name	Qty	L
1	3081690253	Repair kit seal	1	
2	3081690296	O-ring kit	1	
3	3081690291	Zinc anode kit	1	
4	1636302422	Oil can 1 Liter/0.26 Gallon	2	
5	3081690237	Wear parts kit D60N 50Hz	1	
6	3081690240	Wear parts kit D60N 60Hz	1	
7	3081690238	Wear parts kit D60H 50Hz	1	
8	3081690241	Wear parts kit D60H 60Hz	1	
9	3081690239	Wear parts kit D60SH 50Hz	1	
10	3081690242	Wear parts kit D60SH 60Hz	1	

Refer to Parts Online for the most up to date information. The printed information might be outdated.

Fri Apr 24 06:21:52 UTC 2020

Overview units



Refer to Parts Online for the most up to date information. The printed information might be outdated.

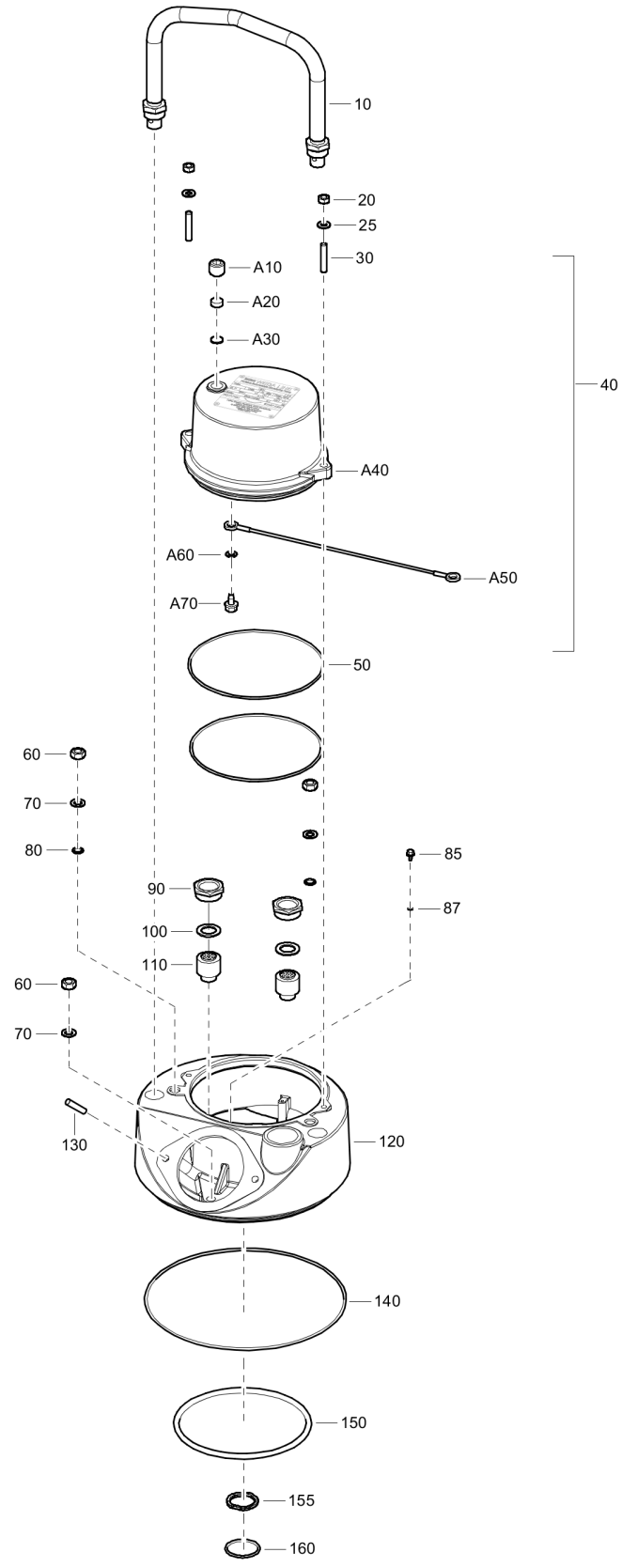
Fri Apr 24 06:21:53 UTC 2020

Item	Part No.	Name	Qty	L
10	-	Top housing unit	1	
20	-	Starter unit	1	
30	-	Motor unit	1	
40	-	Shaft unit	1	
50	-	Wet end unit	1	
60	-	Discharge unit	1	
70	-	Cable unit	1	
A	-	Plug kit	1	
B	-	Float switch kit	1	
C	-	O-ring kit	1	
D	-	Zinc anodes kit	1	

Refer to Parts Online for the most up to date information. The printed information might be outdated.

Fri Apr 24 06:21:53 UTC 2020

Top housing unit



Refer to Parts Online for the most up to date information. The printed information might be outdated.

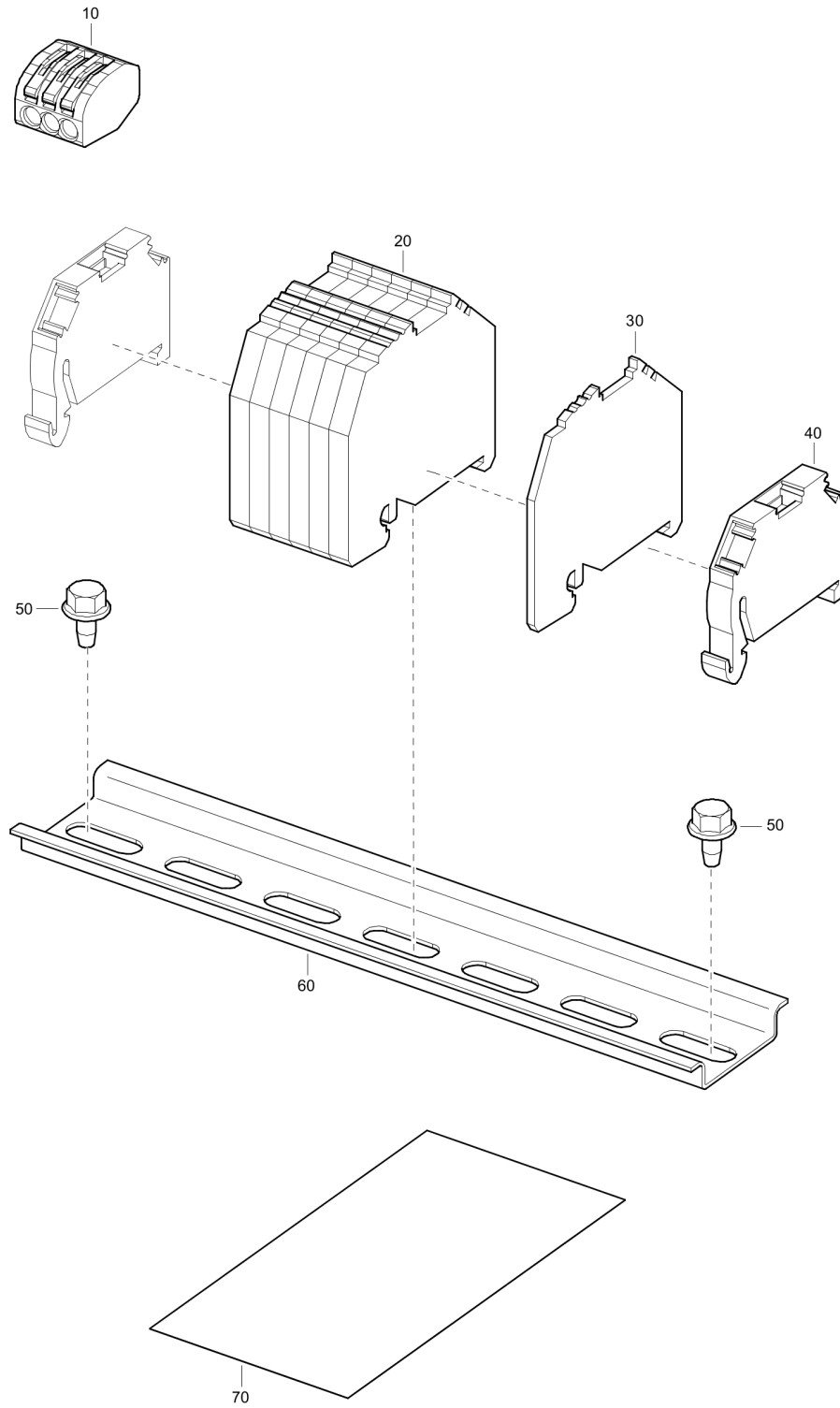
Fri Apr 24 06:21:53 UTC 2020

Item	Part No.	Name	Qty	L
10	470W253016	Handle CPL	1	
20	1633010652	Nut DIN 934	2	
25	0300027449	Washer	2	
30	4700W69623	Stud DIN835 M8X25-ISO:A2-70	2	
40	3081690292	Top cover kit	1	
A10	470W214828	Pipe plug DIN906 3/8" L=10mm	1	
A20	470W214829	Gasket (rubber)	1	
A30	470W214833	Washer	1	
A40	3081601203	Top cover	1	
A50	4700W78698	Screw DIN84-M6x10-ISO:A2(A4)	2	
A60	0333210837	Lock washer	2	
A70	1605274900	Cable Gn/Ye CPL	1	
50	470W254073	O-ring 162X3-NBR 70 shore	2	
60	5541062500	Nut DIN 934	3	
70	4700W51170	Washer DIN433-10,5-140HV-A2	3	
80	4700W65007	O-ring 9,3X2,4-NBR 70 shore	2	
85	470W209902	Screw DIN7500-DM4x8-ST-A2K	1	
87	4700W58956	Washer DIN127-A4-ISO:A2	1	
90	470W294127	Screw fitting	2	
100	470W294126	Washer	4	
110	3081600501	Wire seal	2	
120	3081600533	Top bracket	1	
130	4700W69642	Stud DIN938-M10x35-ISO:A2-70	2	
140	470W254085	O-ring 248X3-NBR 70 shore	1	
150	3081600871	O-ring 158,12X6,99-NBR 70 shore	1	
155	3081600873	Wave spring	1	
160	4700W65024	O-ring 39x3-NBR 70 shore	1	

Refer to Parts Online for the most up to date information. The printed information might be outdated.

Fri Apr 24 06:21:53 UTC 2020

Starter unit terminal board



Refer to Parts Online for the most up to date information. The printed information might be outdated.

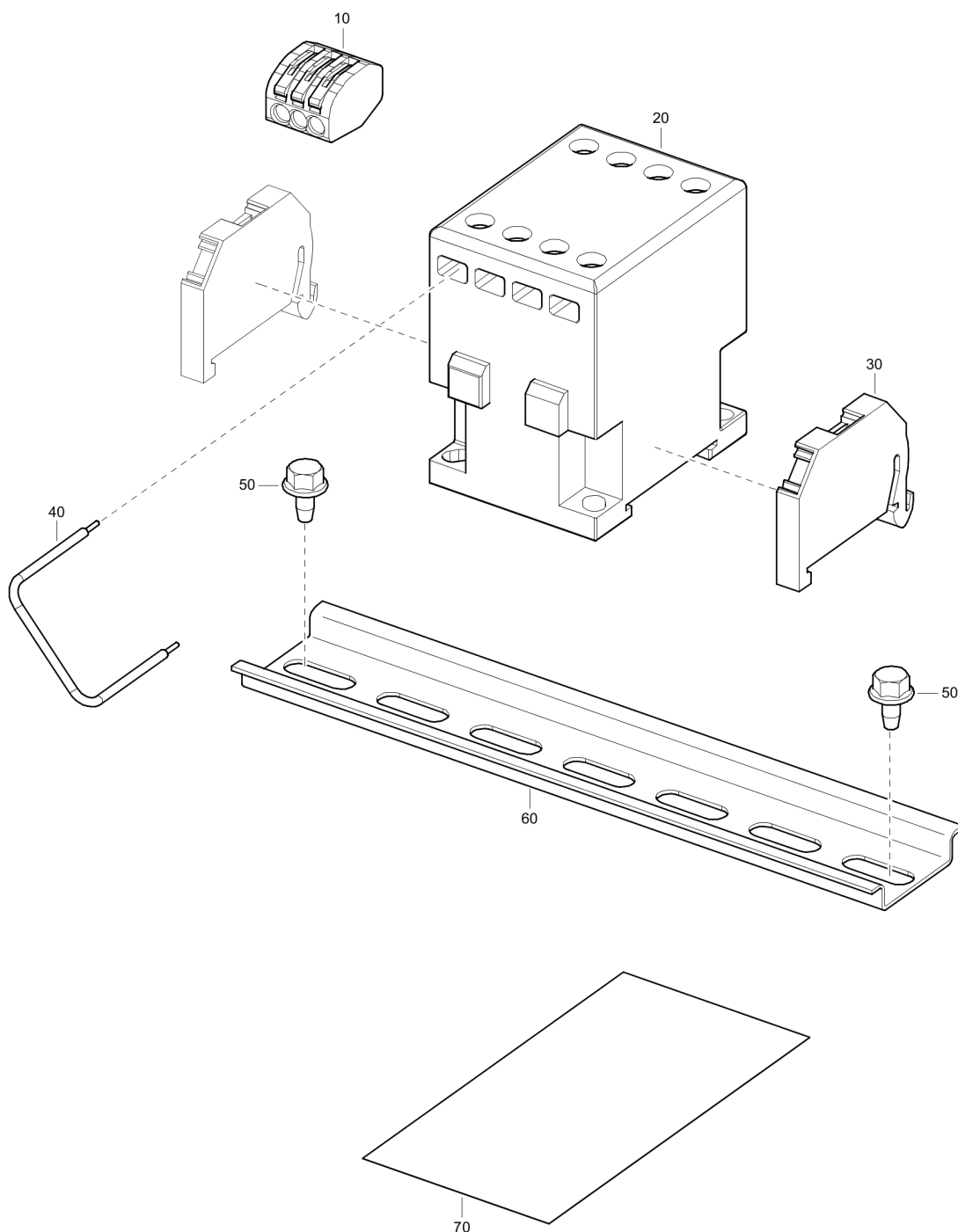
Fri Apr 24 06:21:54 UTC 2020

Item	Part No.	Name	Qty	L
10	1088003138	Connector	1	
20	1633016332	Terminal push in	5	
30	1633016338	Terminal cap push in	1	
40	1089057782	Plate	2	
50	470W209902	Screw DIN7500-DM4x8-ST-A2K	2	
60	1605264400	Rail 35/7.5, 172mm	1	
70	-	Wiring diagram	-	
-	3081600597	Wiring diagram 6-lead terminal board	1	
-	3081600598	Wiring diagram 9-lead terminal board	1	
-	3081600599	Wiring diagram 12-lead terminal board	1	

Refer to Parts Online for the most up to date information. The printed information might be outdated.

Fri Apr 24 06:21:54 UTC 2020

Starter unit contactor



Refer to Parts Online for the most up to date information. The printed information might be outdated.

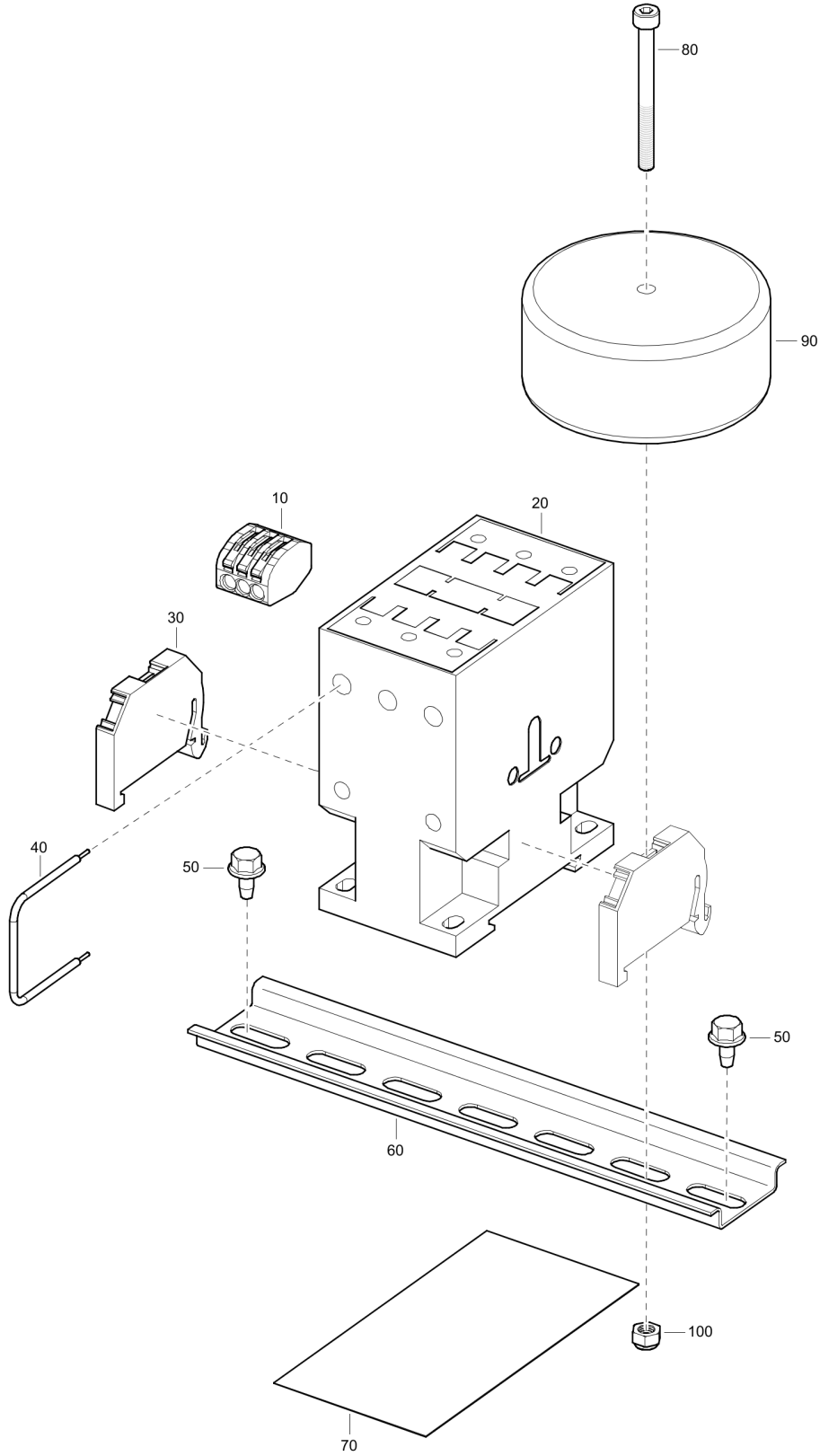
Fri Apr 24 06:21:54 UTC 2020

Item	Part No.	Name	Qty	L
10	1088003138	Connector	1	
20	1089966926	Contactora 24A 500-550V 50Hz , 550-600V 60Hz	1	
30	1089057782	Plate	2	
40	470W743540	Wire CPL	1	
50	470W209902	Screw DIN7500-DM4x8-ST-A2K	2	
60	1605264400	Rail 35/7.5, 172mm	1	
70	3081600594	Wiring diagram 6-lead Y & D connection	1	

Refer to Parts Online for the most up to date information. The printed information might be outdated.

Fri Apr 24 06:21:54 UTC 2020

Starter unit contactor, toroid trafo



Refer to Parts Online for the most up to date information. The printed information might be outdated.

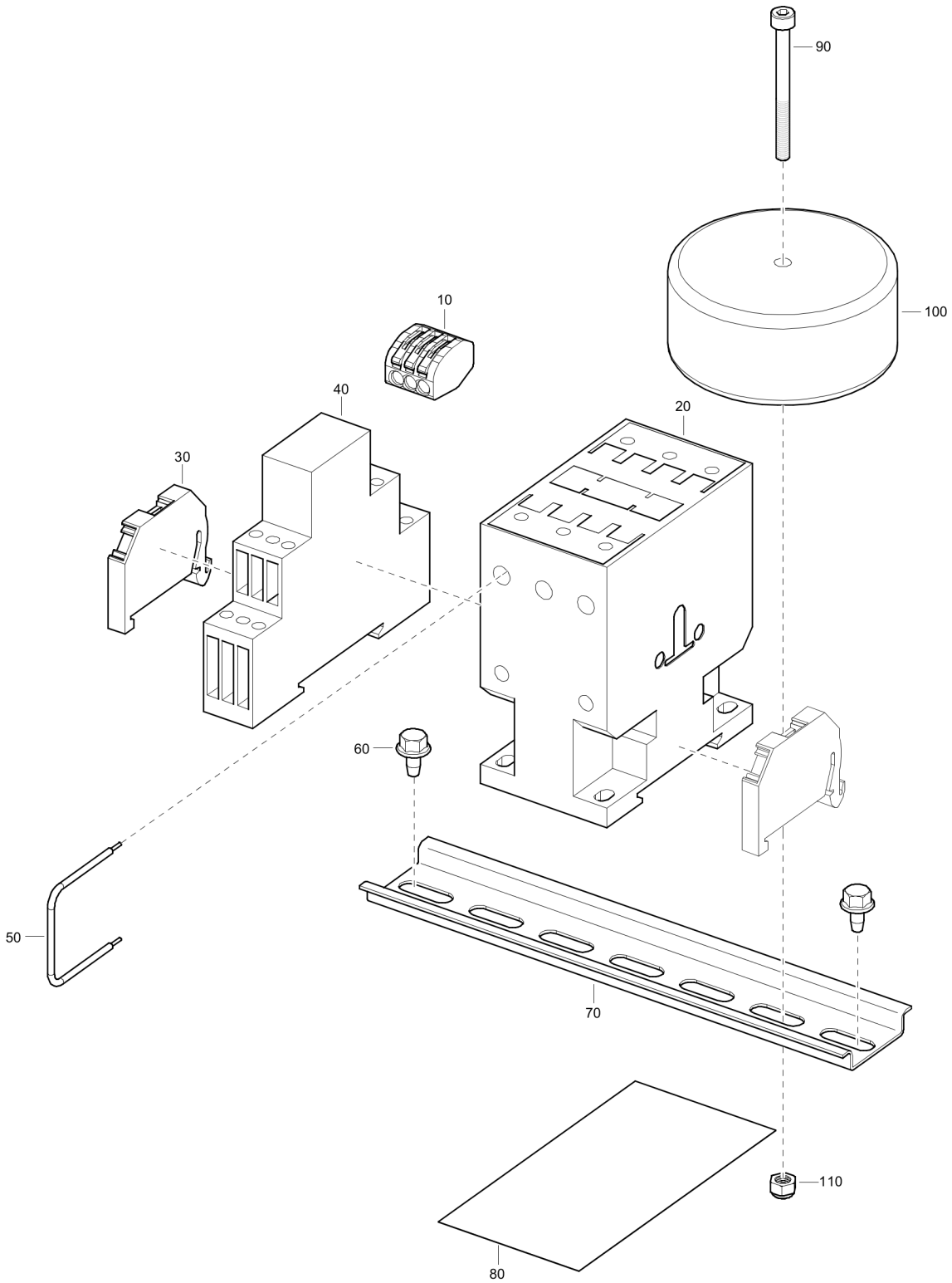
Fri Apr 24 06:21:55 UTC 2020

Item	Part No.	Name	Qty	L
10	1088003138	Connector	1	
20	3081600872	Contactora 22A 22-24V 50Hz , 24-27V 60Hz	1	
30	1089057782	Plate	2	
40	470W743540	Wire CPL	1	
50	470W209902	Screw DIN7500-DM4x8-ST-A2K	2	
60	1605264400	Rail 35/7.5, 172mm	1	
70	3081600594	Wiring diagram 6-lead Y & D connection	1	
80	3081600643	Screw DIN 912 M4x45 8.8 A2	1	
90	-	Transformer	-	
-	1605277700	Toroid trafo 12VA/24V 460/575V (50/60Hz)	1	
-	3081600819	Toroid trafo 12VA/24V 415/525V (50/60Hz)	1	
-	3081601533	Toroid trafo 12VA/24V 230/690V (50/60Hz)	1	
100	470W209785	Lock nut DIN 985 M4 A2	1	

Refer to Parts Online for the most up to date information. The printed information might be outdated.

Fri Apr 24 06:21:55 UTC 2020

Starter unit contactor, toroid trafo, control relay

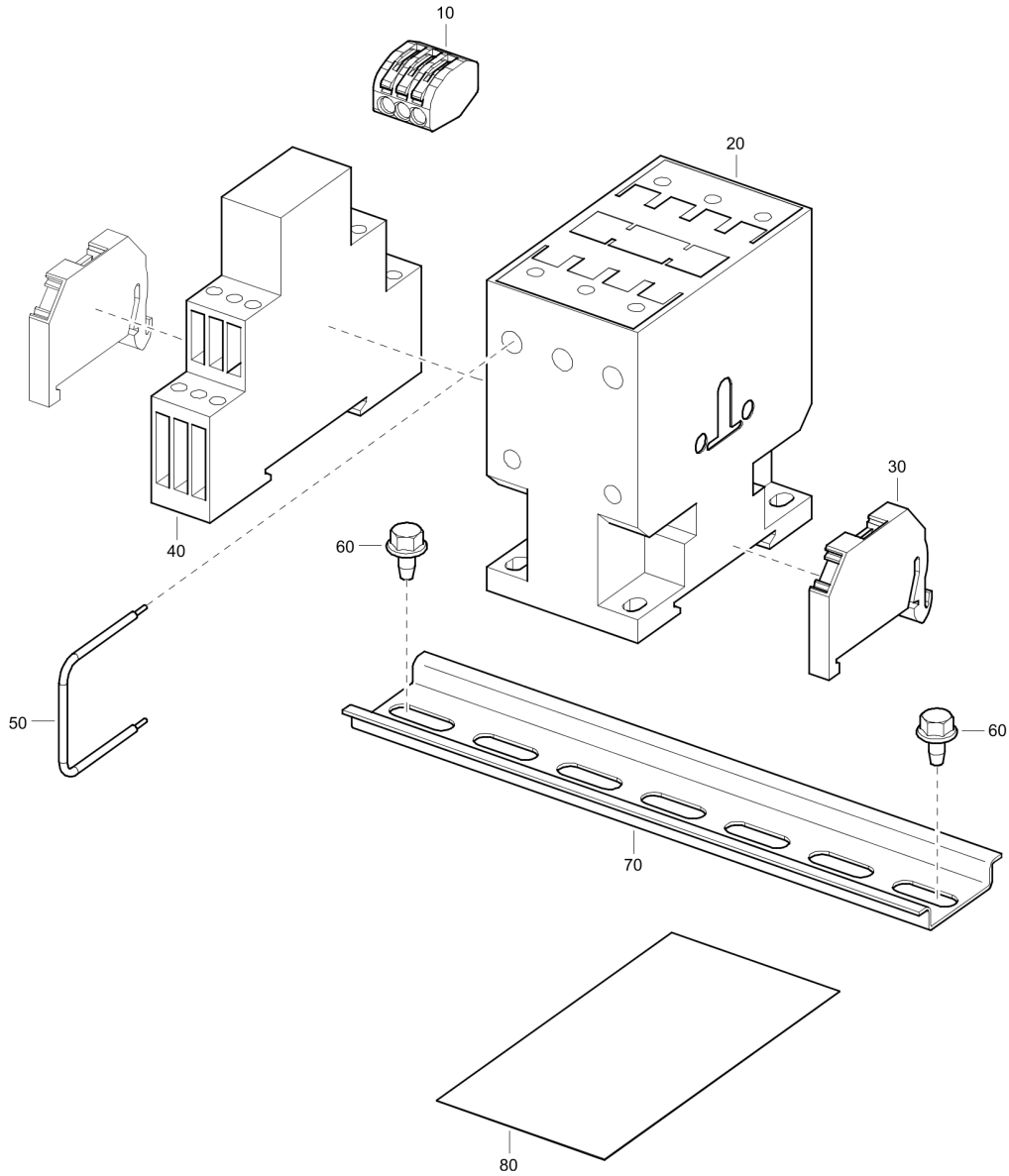


Refer to Parts Online for the most up to date information. The printed information might be outdated.

Fri Apr 24 06:21:55 UTC 2020

Item	Part No.	Name	Qty	L
10	1088003138	Connector	1	
20	3081600872	Contactora 22A 22-24V 50Hz , 24-27V 60Hz	1	
30	1089057782	Plate	2	
40	3081600644	Control relay	1	
50	470W743540	Wire CPL	1	
60	470W209902	Screw DIN7500-DM4x8-ST-A2K	2	
70	1605264400	Rail 35/7.5, 172mm	1	
80	-	Wiring diagram	-	
-	3081600595	Wiring diagram 9-lead Yser, Y// connection	1	
-	3081600594	Wiring diagram 6-lead Y & D connection	1	
90	3081600643	Screw DIN 912 M4x45 8.8 A2	1	
100	-	Transformer	-	
-	1605277700	Toroid trafo 12VA/24V 460/575V (50/60Hz)	1	
-	3081600819	Toroid trafo 12VA/24V 415/525V (50/60Hz)	1	
110	470W209785	Lock nut DIN 985 M4 A2	1	

Starter unit contactor, control relay

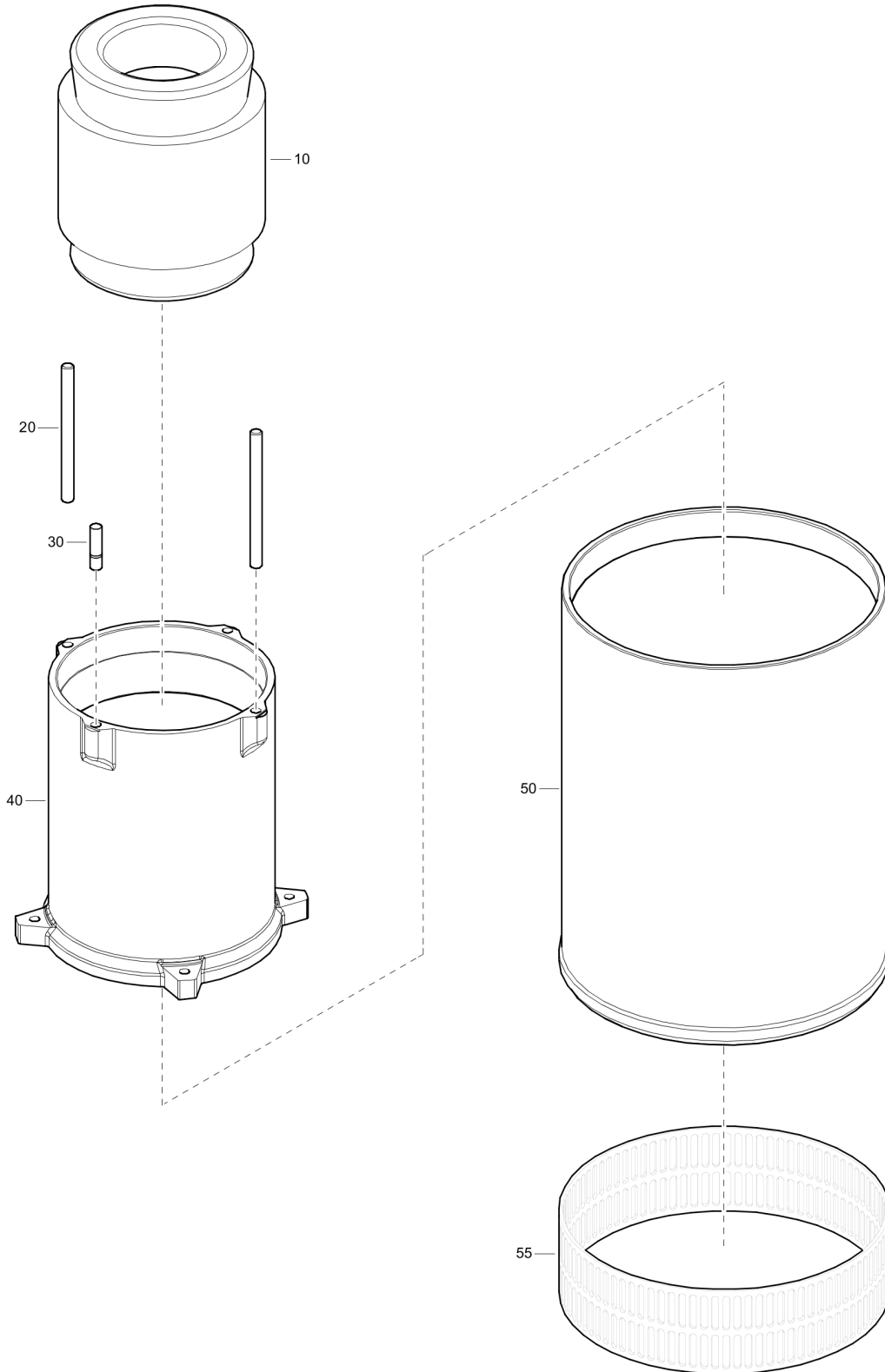


Refer to Parts Online for the most up to date information. The printed information might be outdated.

Fri Apr 24 06:21:56 UTC 2020

Item	Part No.	Name	Qty	L
10	1088003138	Connector	1	
20	-	Contacteur	-	
-	3081600820	Contacteur 40A 200-220V 50Hz, 220-240V 60Hz	1	
-	1089966922	Contacteur 40A 220-240V 50Hz, 230-264V 60Hz	1	
-	3081600821	Contacteur 22A 345-380V 50Hz , 380-415V 60Hz	1	
-	1089966915	Contacteur 22A 380-415V 50Hz , 400-440V 60Hz	1	
-	3081600818	Contacteur 22A 415-440V 50Hz , 440-480V 60Hz	1	
30	1089057782	Plate	2	
40	3081600644	Control relay	1	
50	470W743540	Wire CPL	1	
60	470W209902	Screw DIN7500-DM4x8-ST-A2K	2	
70	1605264400	Rail 35/7.5, 172mm	1	
80	3081600594	Wiring diagram 6-lead Y & D connection	1	

Stator unit WEDA D50

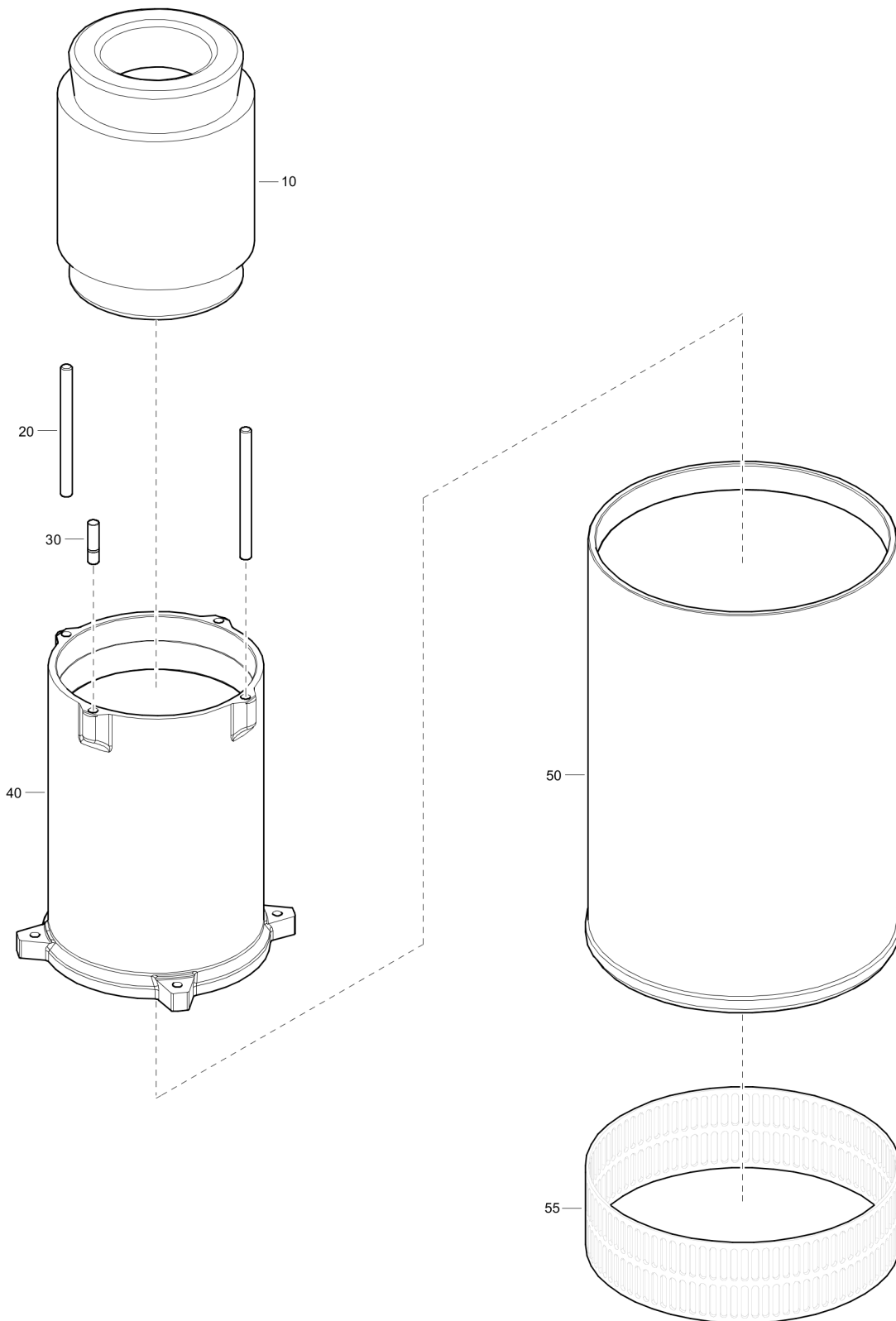


Refer to Parts Online for the most up to date information. The printed information might be outdated.

Fri Apr 24 06:21:56 UTC 2020

Item	Part No.	Name	Qty	L
10	-	Stator	-	
-	3081600544	Stator D50 400VD, 690VY 50Hz; 460VD 60Hz	1	
-	3081600545	Stator D50 230VD,380VY 60Hz	1	
-	3081600546	Stator D50 415-440VD 50Hz	1	
-	3081600547	Stator D50 460VYSer, 230VY// 60Hz	1	
-	3081600548	Stator D50 380-400VD 60Hz	1	
-	3081600549	Stator D50 500VD 50Hz ; 575VD 60Hz	1	
-	3081600550	Stator D50 525-550VD 50Hz	1	
-	3081600551	Stator D50 230VD,400VY 50Hz; 460VY 60Hz	1	
-	3081600552	Stator D50 230VD//,380VY//,460VDSer 60Hz	1	
20	470W254304	Stud	2	
30	4700W69636	Stud DIN939-M10X28-ISO:A2-70	1	
40	3081600505	Stator housing D50	1	
50	3081601029	Outer casing D50	1	
55	470W263031	Strainer	1	

Stator unit WEDA D60

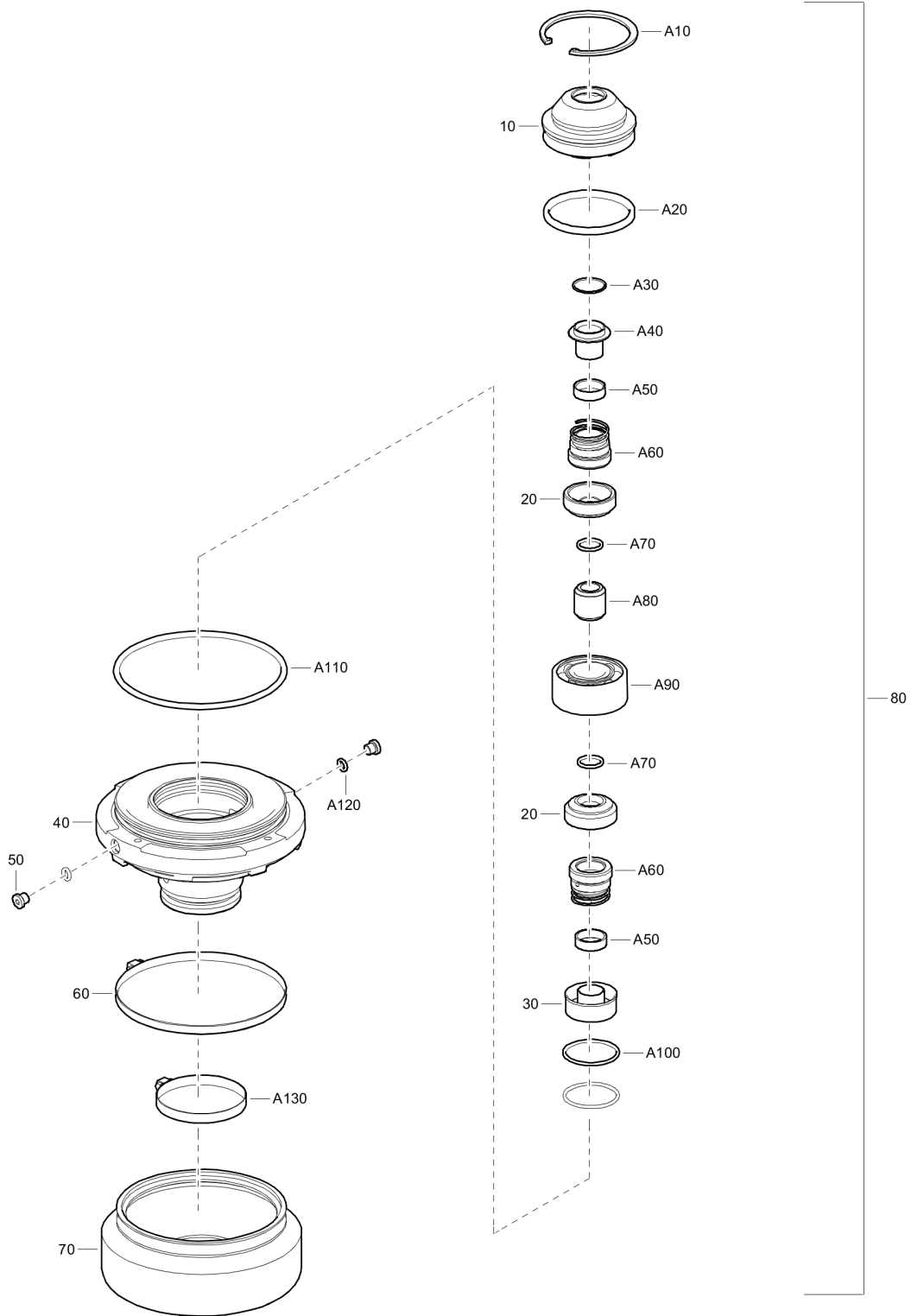


Refer to Parts Online for the most up to date information. The printed information might be outdated.

Fri Apr 24 06:21:57 UTC 2020

Item	Part No.	Name	Qty	L
10	-	Stator	-	
-	3081600559	Stator D60/S60 400VD,690VY 50Hz , 460VD 60Hz	1	
-	3081600560	Stator D60/S60 230VD,380VY 60Hz	1	
-	3081600561	Stator D60/S60 415-440VD 50Hz	1	
-	3081600562	Stator D60/S60 460VYSer,230VY// 60Hz	1	
-	3081600563	Stator D60/S60 400VD, 690VY 60Hz	1	
-	3081600564	Stator D60/S60 500VD 50Hz , 575VD 60Hz	1	
-	3081600565	Stator D60/S60 525-550VD 50Hz	1	
-	3081600566	Stator D60/S60 230VD,400VY 50Hz , 460VY 60Hz	1	
-	3081600567	Stator D60/S60 230VD//,380VY//,460VDSer 60Hz	1	
20	470W254304	Stud	2	
30	4700W69636	Stud DIN939-M10X28-ISO:A2-70	1	
40	3081600507	Stator housing D60	1	
50	3081601030	Outer casing D60	1	
55	470W263031	Strainer	1	

Seal unit



Refer to Parts Online for the most up to date information. The printed information might be outdated.

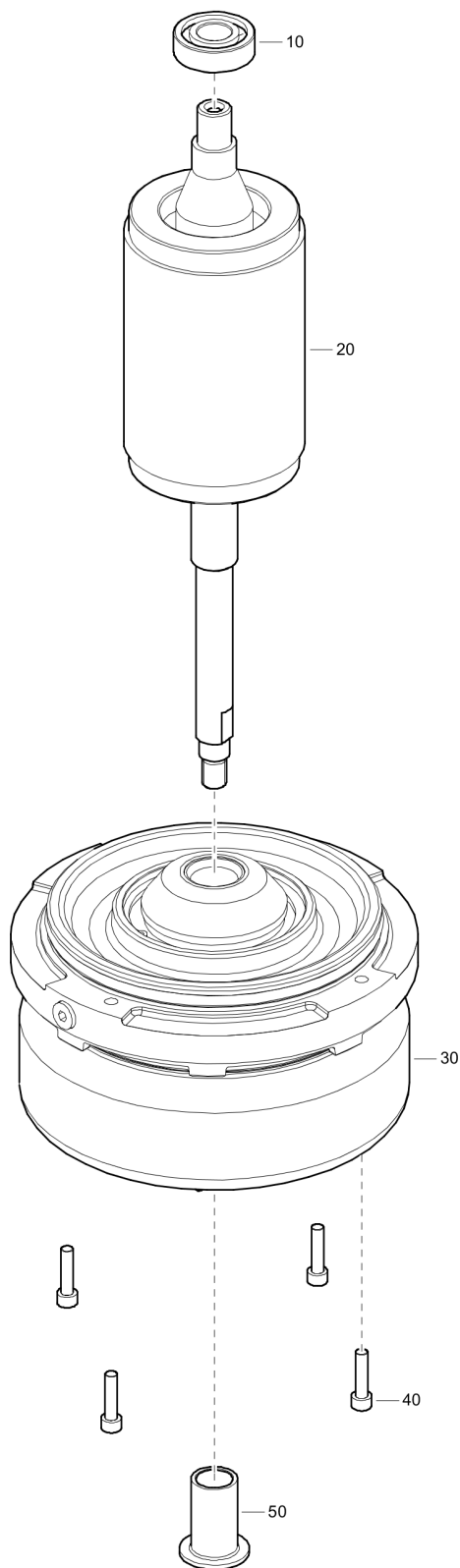
Fri Apr 24 06:21:58 UTC 2020

Item	Part No.	Name	Qty	L
10	470W253340	Seal cover	1	
20	470W254031	Holder	2	
30	470W743566	Seal holder	1	
40	3081600474	Bearing bracket	1	
50	470W254042	Screw plug DIN908 M10X1 A2	2	
60	0347405231	Clamp D-161	1	
70	470W253341	Oil bag	1	
80	3081690253	Repair kit seal	1	
A10	4700W50671	Circlip DIN472-90X3	1	
A20	4700W65033	O-ring 74,2x5,7-NBR 70 shore	1	
A30	4700W65096	O-ring 29,1X1,6-NBR 70 shore	1	
A40	470W743567	Bushing	1	
A50	3081601070	Distance sleeve	2	
A60	3081601003	Lower seal	2	
A70	4700160003	O-ring 19,2X3-NBR 70 shore	2	
A80	3081600472	Bearing bushing	1	
A90	0504011021	Ball bearing	1	
A100	4700W65175	O-ring 48X3-NBR 70 shore	2	
A110	4700W65121	O-ring 154,3X5,7-NBR 70 shore	1	
A120	4700W65006	O-ring 8,3X2,4-NBR 70 shore	2	
A130	1633010212	Clamp DIN 3017-1:70-90/9mm	1	

Refer to Parts Online for the most up to date information. The printed information might be outdated.

Fri Apr 24 06:21:58 UTC 2020

Shaft unit WEDA D50N/H, WEDA D60N/H



Refer to Parts Online for the most up to date information. The printed information might be outdated.

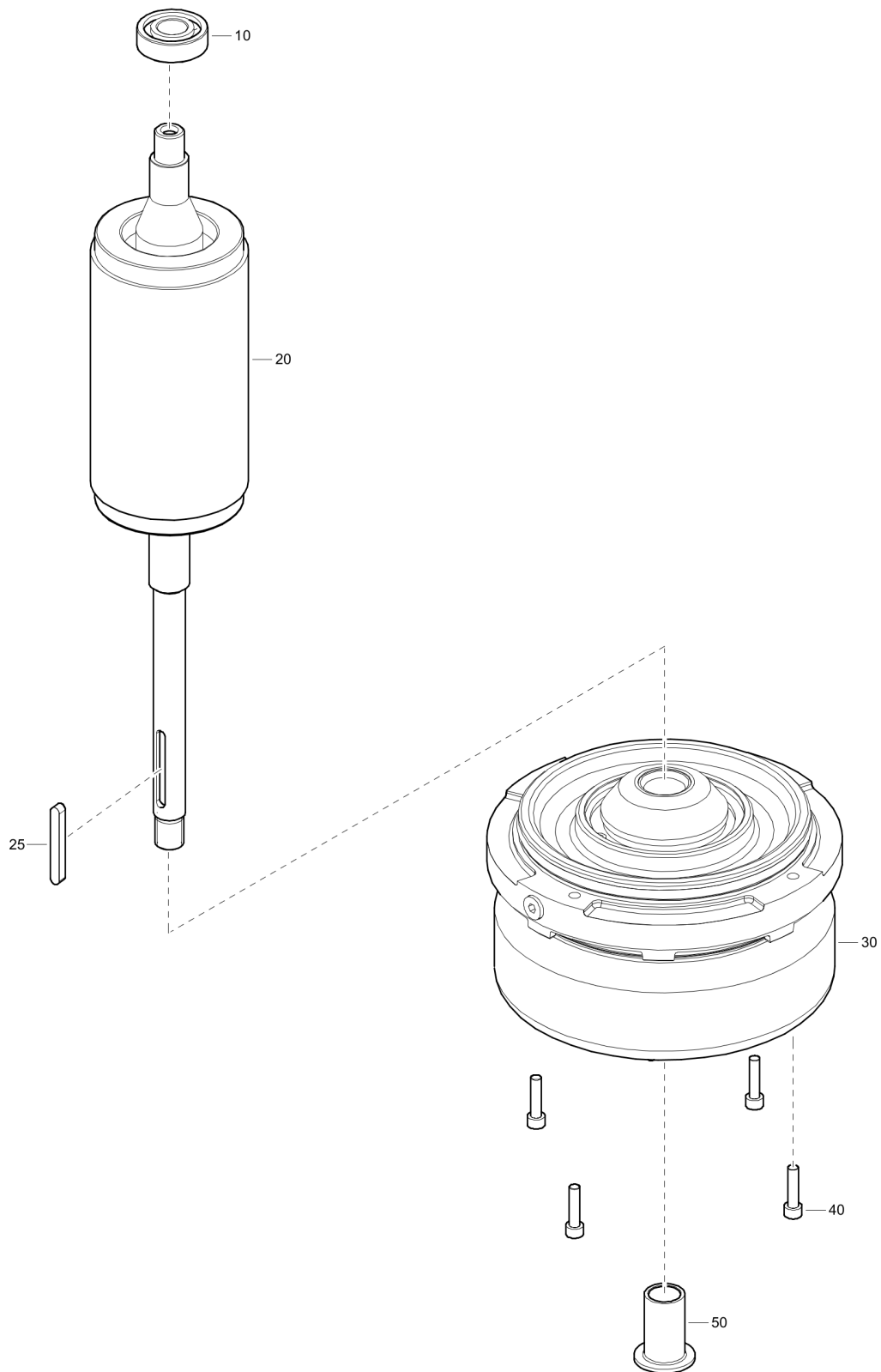
Fri Apr 24 06:21:58 UTC 2020

Item	Part No.	Name	Qty	L
10	3081601487	Ball bearing	1	
20	-	Rotor	-	
-	3081600476	Rotor D50	1	
-	3081600500	Rotor D/S 60 N/H	1	
30	3081690334	Seal unit D/S 50/60	1	
40	4700W75659	Screw DIN 912 M6x25 ISO A2-70	4	
50	1605277200	Driving sleeve	1	

Refer to Parts Online for the most up to date information. The printed information might be outdated.

Fri Apr 24 06:21:58 UTC 2020

Shaft unit WEDA D60SH



Refer to Parts Online for the most up to date information. The printed information might be outdated.

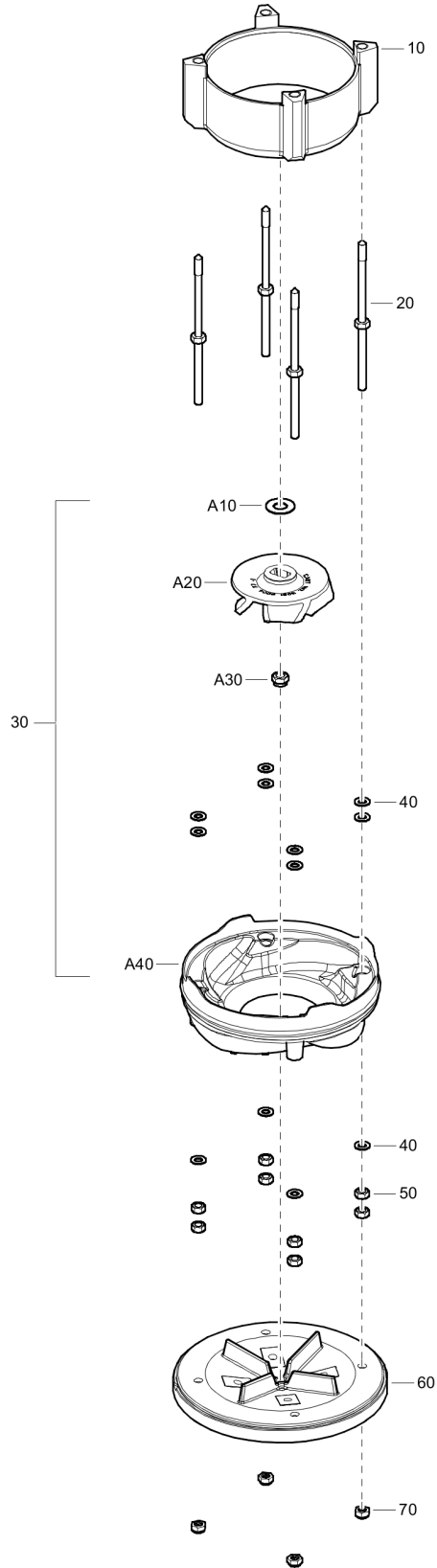
Fri Apr 24 06:21:59 UTC 2020

Item	Part No.	Name	Qty	L
10	3081601487	Ball bearing	1	
20	3081600471	Shaft rotor unit D60SH	1	
25	0337000980	Key 6X6X50-A4 DIN 6885 Blatt 1	1	
30	3081690334	Seal unit D/S 50/60	1	
40	4700W75659	Screw DIN 912 M6x25 ISO A2-70	4	
50	1605277200	Driving sleeve	1	
60	470W254075	Washer A18/37X2-ISO:A2(A4)	1	

Refer to Parts Online for the most up to date information. The printed information might be outdated.

Fri Apr 24 06:21:59 UTC 2020

Wet end unit WEDA D50N/ D60N

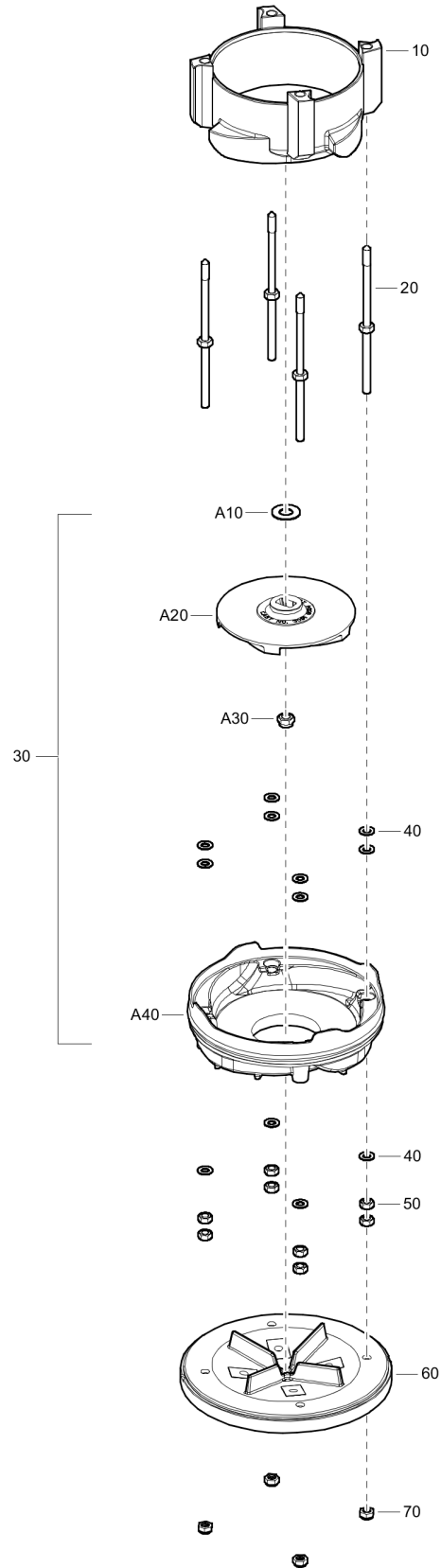


Refer to Parts Online for the most up to date information. The printed information might be outdated.

Fri Apr 24 06:21:59 UTC 2020

Item	Part No.	Name	Qty	L
10	3081600985	Wear plate D50N/ D60N	1	
20	470W254226	Stud	4	
30	-	Wear parts kit D50N	-	
-	3081690233	Wear parts kit D50N 50Hz	1	
-	3081690235	Wear parts kit D50N 60Hz	1	
-	3081690237	Wear parts kit D60N 50Hz	1	
-	3081690240	Wear parts kit D60N 60Hz	1	
A10	470W254075	Washer A18/37X2-ISO:A2(A4)	1	
A20	-	Impeller	-	
-	3081600478	Impeller D50N 50Hz	1	
-	3081600479	Impeller D50N 60Hz	1	
-	3081600480	Impeller D60N 50Hz	1	
-	3081600481	Impeller D60N 60Hz	1	
A30	1633010765	Lock nut DIN 985 M12 A2	1	
A40	3081600499	Diffuser D50/D60N	1	
40	0300012932	Washer	12	
50	5541062500	Nut DIN 934	8	
60	3081600503	Bottom plate D50/D60 N/H	1	
70	1633010763	Lock nut DIN 985	4	

Wet end unit WEDA D50H, WEDA D60H 60Hz



Refer to Parts Online for the most up to date information. The printed information might be outdated.

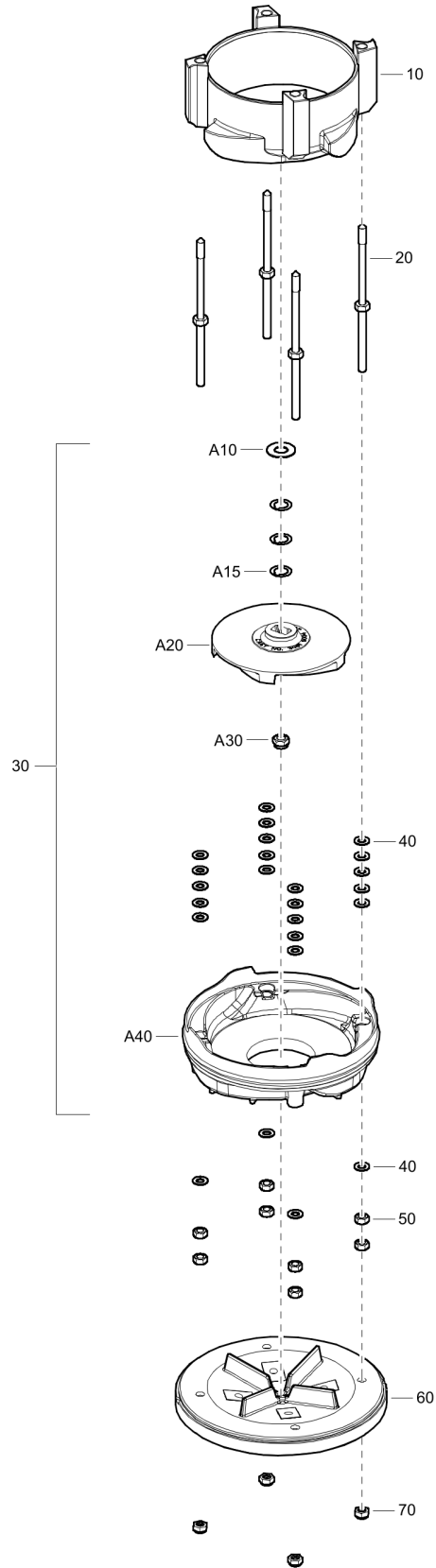
Fri Apr 24 06:22:00 UTC 2020

Item	Part No.	Name	Qty	L
10	3081600530	Wear plate D50/D60H	1	
20	470W254226	Stud	4	
30	-	Wear parts kit	-	
-	3081690234	Wear parts kit D50H 50Hz	1	
-	3081690236	Wear parts kit D50H 60Hz	1	
-	3081690241	Wear parts kit D60H 60Hz	1	
A10	470W254075	Washer A18/37X2-ISO:A2(A4)	1	
A20	-	Impeller	-	
-	3081600421	Impeller D50H 50Hz	1	
-	3081600422	Impeller D50H 60Hz	1	
-	3081600424	Impeller D60H 60Hz	1	
A30	1633010765	Lock nut DIN 985 M12 A2	1	
A40	3081600468	Diffuser D50/ D60H	1	
40	0300012932	Washer	12	
50	5541062500	Nut DIN 934	8	
60	3081600503	Bottom plate D50/D60 N/H	1	
70	1633010763	Lock nut DIN 985	4	

Refer to Parts Online for the most up to date information. The printed information might be outdated.

Fri Apr 24 06:22:00 UTC 2020

Wet end unit WEDA D60H 50Hz

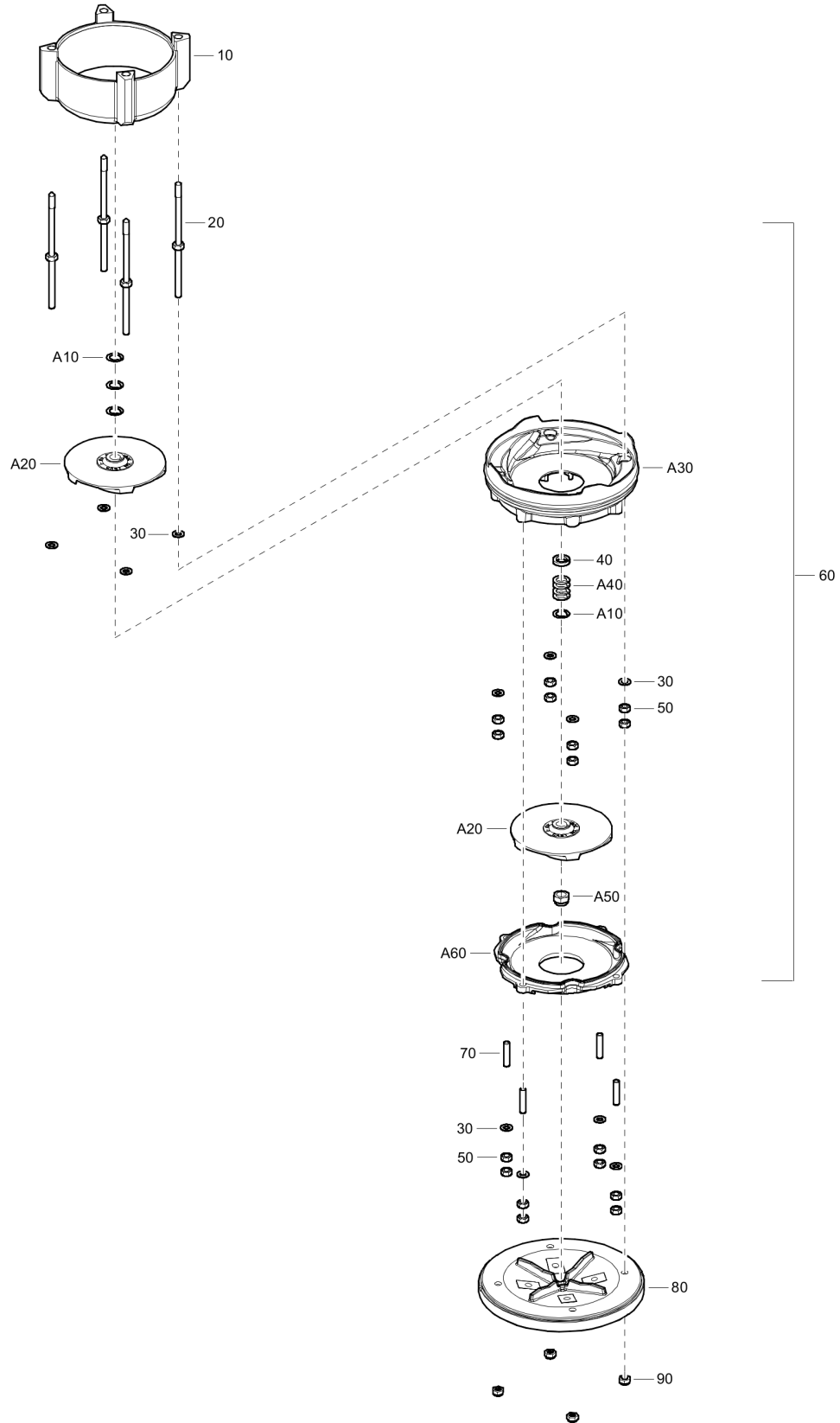


Refer to Parts Online for the most up to date information. The printed information might be outdated.

Fri Apr 24 06:22:00 UTC 2020

Item	Part No.	Name	Qty	L
10	3081600530	Wear plate D50/D60H	1	
20	470W254226	Stud	4	
30	3081690238	Wear parts kit D60H 50Hz	1	
A10	470W254075	Washer A18/37X2-ISO:A2(A4)	1	
A15	470W254090	Trimming spacer	3	
A20	3081600423	Impeller D60H 50Hz	1	
A30	1633010765	Lock nut DIN 985 M12 A2	1	
A40	3081600468	Diffuser D50/ D60H	1	
40	0300012932	Washer	24	
50	5541062500	Nut DIN 934	8	
60	3081600503	Bottom plate D50/D60 N/H	1	
70	1633010763	Lock nut DIN 985	4	

Wet end unit WEDA D60SH 50Hz



Refer to Parts Online for the most up to date information. The printed information might be outdated.

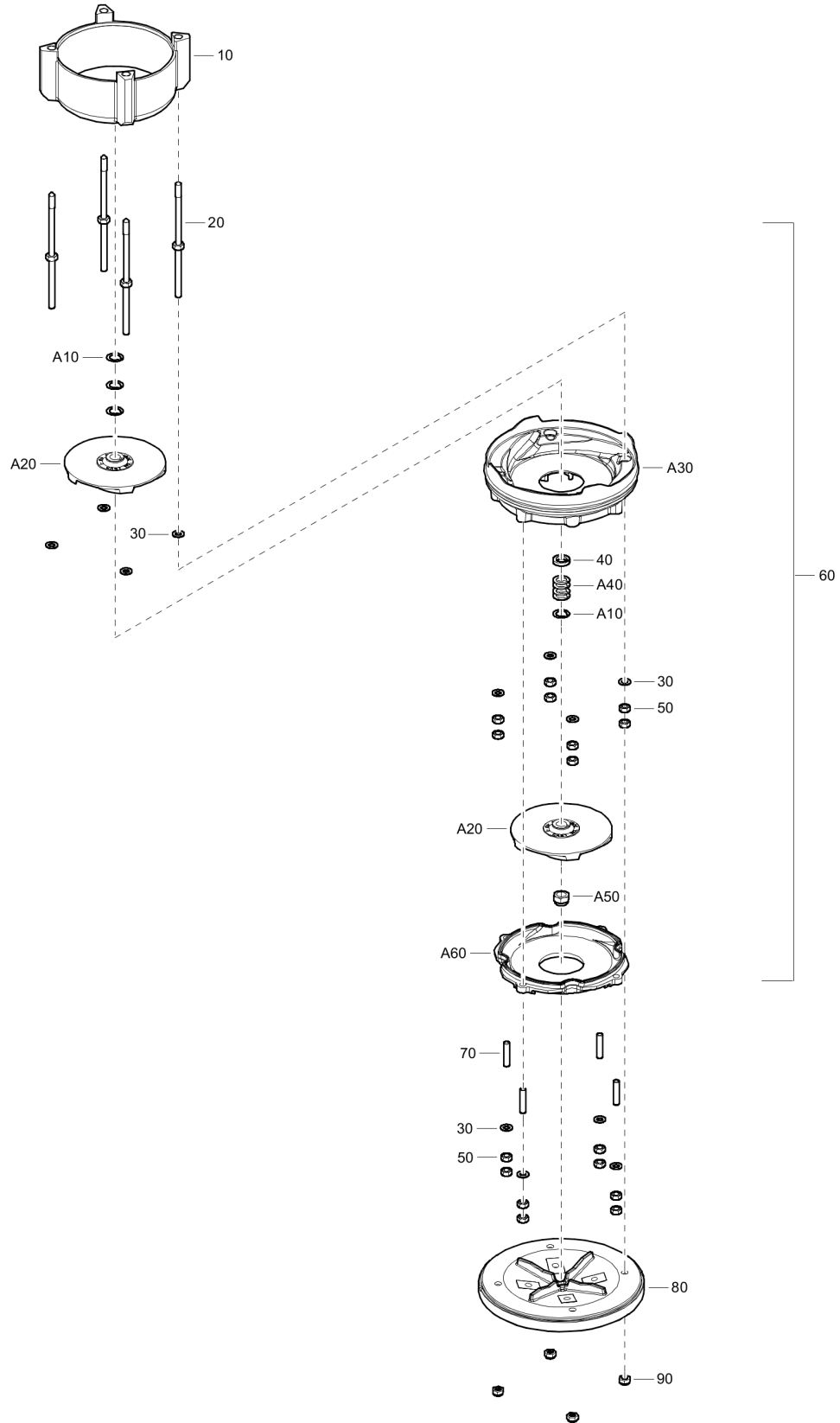
Fri Apr 24 06:22:01 UTC 2020

Item	Part No.	Name	Qty	L
10	3081600986	Wear plate D60SH	1	
20	470W254226	Stud	4	
30	0300012932	Washer	12	
40	3081600469	Sleeve	1	
50	5541062500	Nut DIN 934	16	
60	3081690239	Wear parts kit D60SH 50Hz	1	
A10	3081600535	Trimming spacer	4	
A20	3081600444	Impeller D60SH 50Hz	2	
A30	3081600442	Diffuser D60SH	1	
A40	3081600534	Trimming spacer	5	
A50	1633010876	Lock nut DIN 985	1	
A60	3081600465	Diffuser D60SH	1	
70	4700W69642	Stud DIN938-M10x35-ISO:A2-70	4	
80	3081600509	Bottom plate D60SH	1	
90	1633010763	Lock nut DIN 985	4	

Refer to Parts Online for the most up to date information. The printed information might be outdated.

Fri Apr 24 06:22:01 UTC 2020

Wet end unit WEDA D60SH 60Hz



Refer to Parts Online for the most up to date information. The printed information might be outdated.

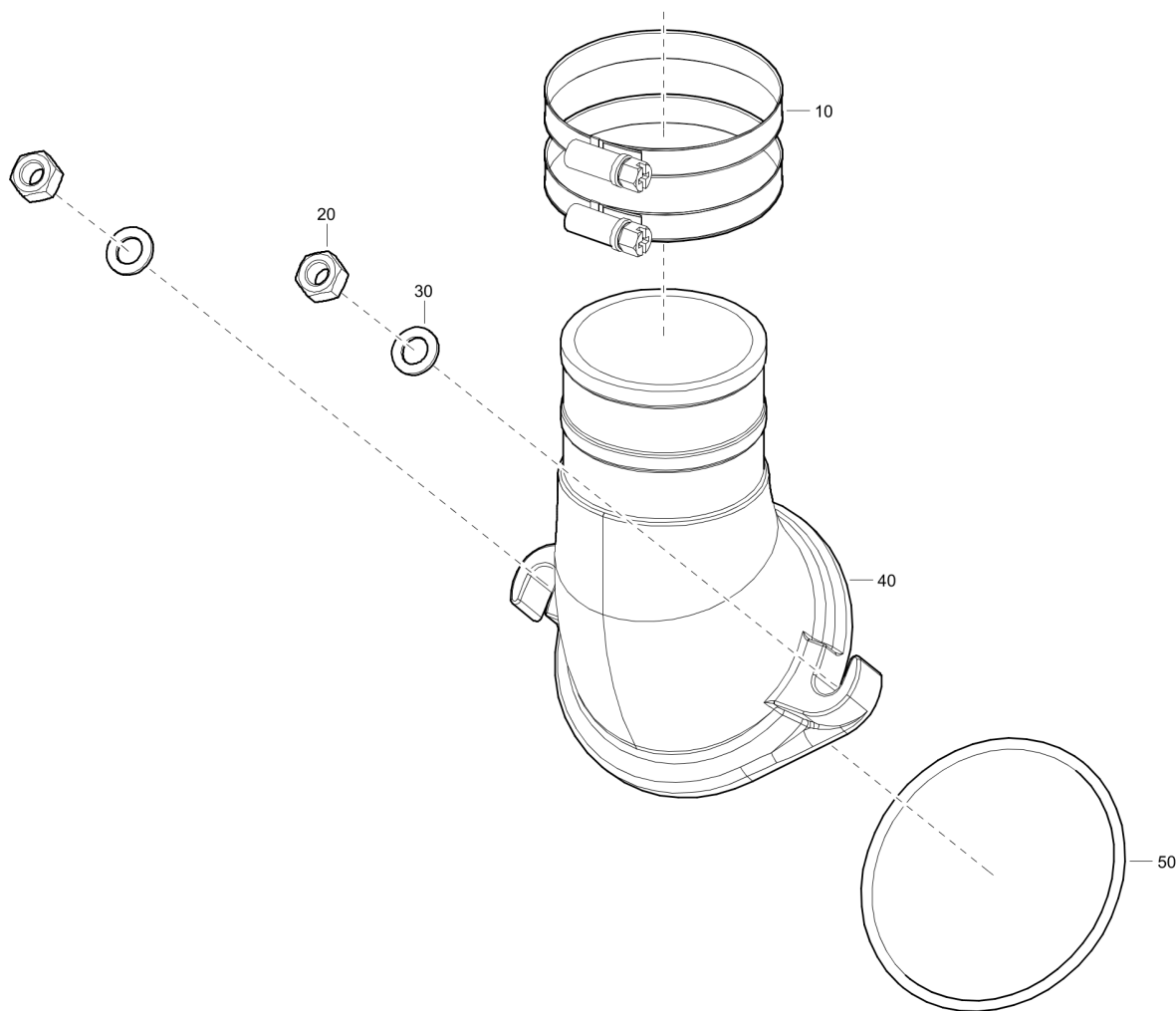
Fri Apr 24 06:22:02 UTC 2020

Item	Part No.	Name	Qty	L
10	3081600986	Wear plate D60SH	1	
20	470W254226	Stud	4	
30	0300012932	Washer	12	
40	3081600469	Sleeve	1	
50	5541062500	Nut DIN 934	16	
60	3081690242	Wear parts kit D60SH 60Hz	1	
A10	3081600535	Trimming spacer	4	
A20	3081600445	Impeller D60SH 60Hz	2	
A30	3081600442	Diffuser D60SH	1	
A40	3081600534	Trimming spacer	4	
A50	1633010876	Lock nut DIN 985	1	
A60	3081600465	Diffuser D60SH	1	
70	4700W69642	Stud DIN938-M10x35-ISO:A2-70	4	
80	3081600509	Bottom plate D60SH	1	
90	1633010763	Lock nut DIN 985	4	

Refer to Parts Online for the most up to date information. The printed information might be outdated.

Fri Apr 24 06:22:02 UTC 2020

Discharge unit 3" HOSE



Refer to Parts Online for the most up to date information. The printed information might be outdated.

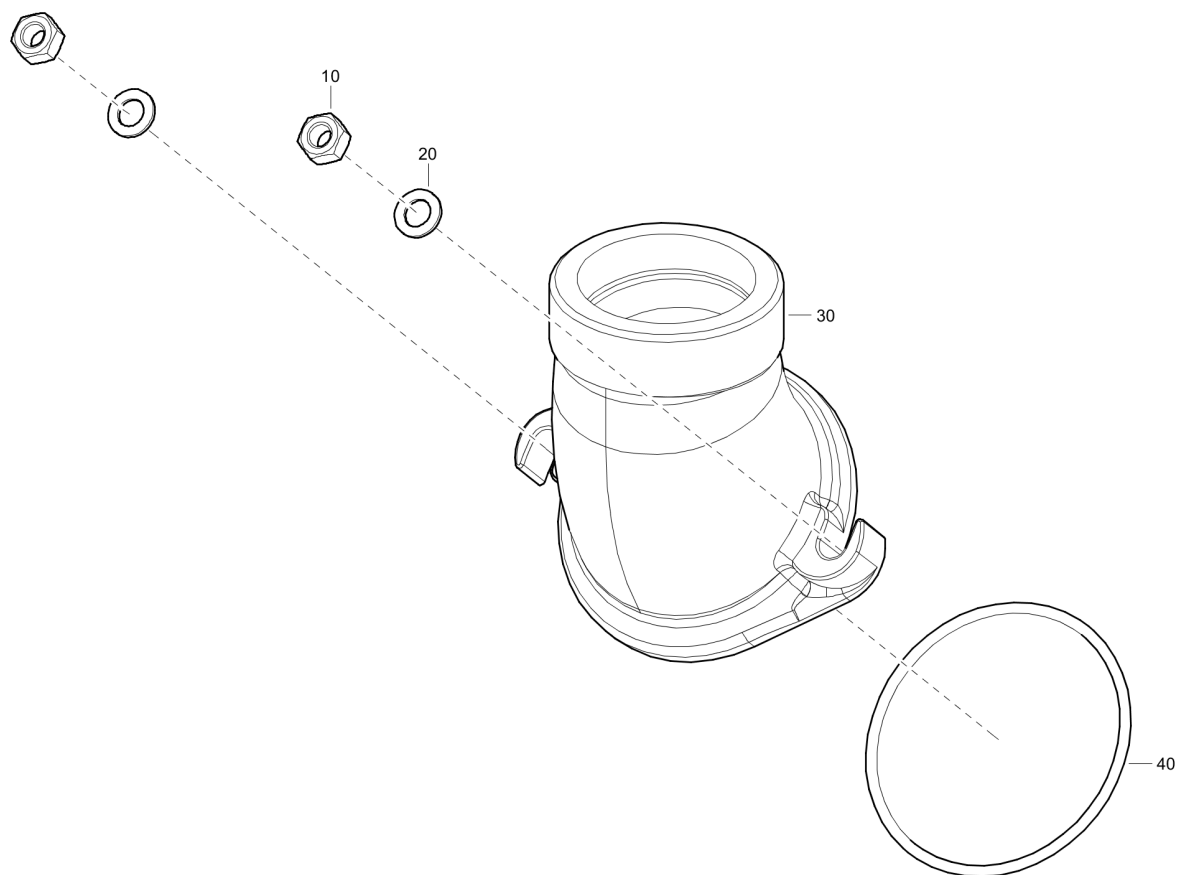
Fri Apr 24 06:22:02 UTC 2020

Item	Part No.	Name	Qty	L
10	0347611400	Hose clamp	2	
20	5541062500	Nut DIN 934	2	
30	4700W51170	Washer DIN433-10,5-140HV-A2	2	
40	470W202563	Discharge 3" hose	1	
50	0663212097	O-ring 95X4 NBR 70 shore	1	

Refer to Parts Online for the most up to date information. The printed information might be outdated.

Fri Apr 24 06:22:02 UTC 2020

Discharge unit 3" ISO-G/ NPT



Refer to Parts Online for the most up to date information. The printed information might be outdated.

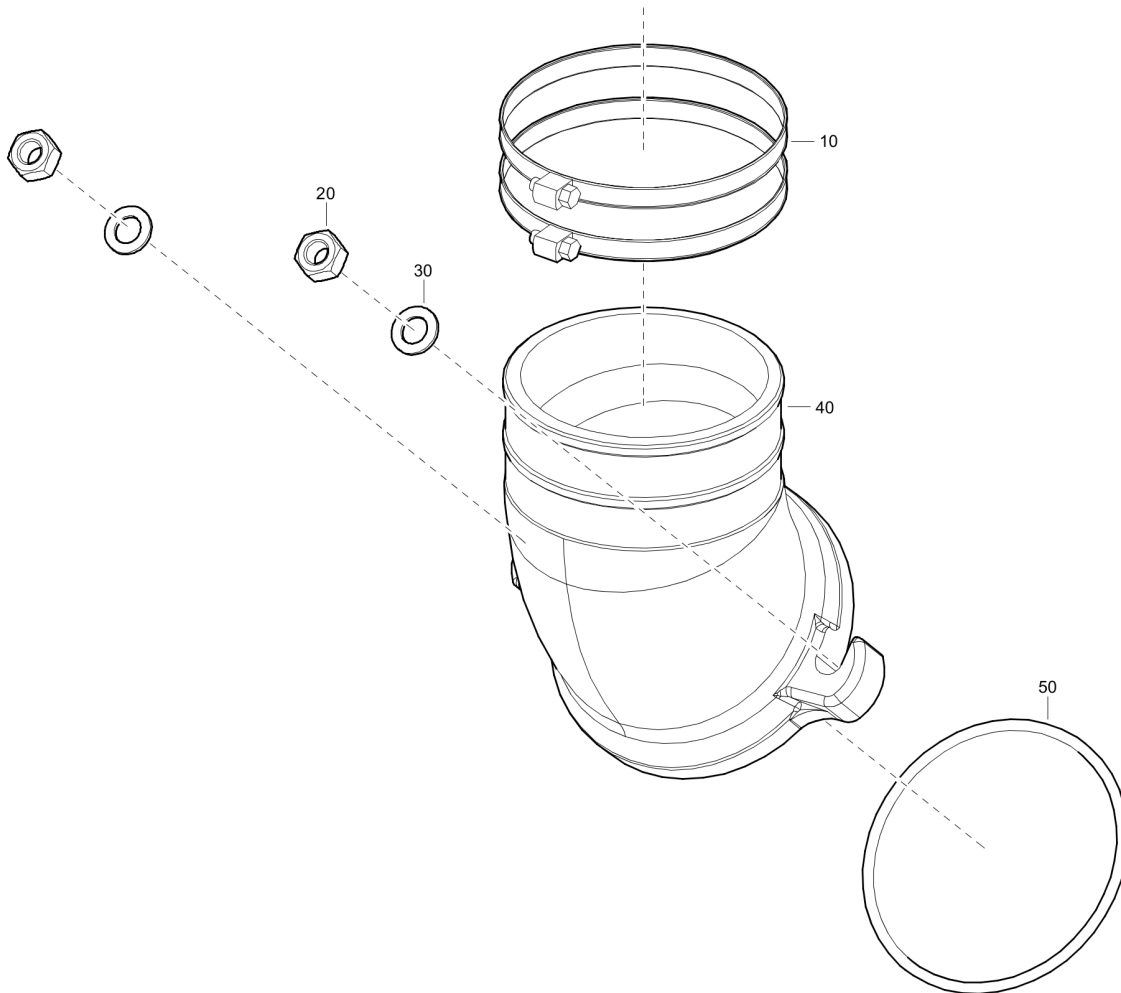
Fri Apr 24 06:22:03 UTC 2020

Item	Part No.	Name	Qty	L
10	5541062500	Nut DIN 934	2	
20	4700W51170	Washer DIN433-10,5-140HV-A2	2	
30	-	Discharge	-	
-	470W202483	Discharge ISO-G3"	1	
-	470W202571	Discharge 3" NPT	1	
40	0663212097	O-ring 95X4 NBR 70 shore	1	

Refer to Parts Online for the most up to date information. The printed information might be outdated.

Fri Apr 24 06:22:03 UTC 2020

Discharge unit 4" HOSE



Refer to Parts Online for the most up to date information. The printed information might be outdated.

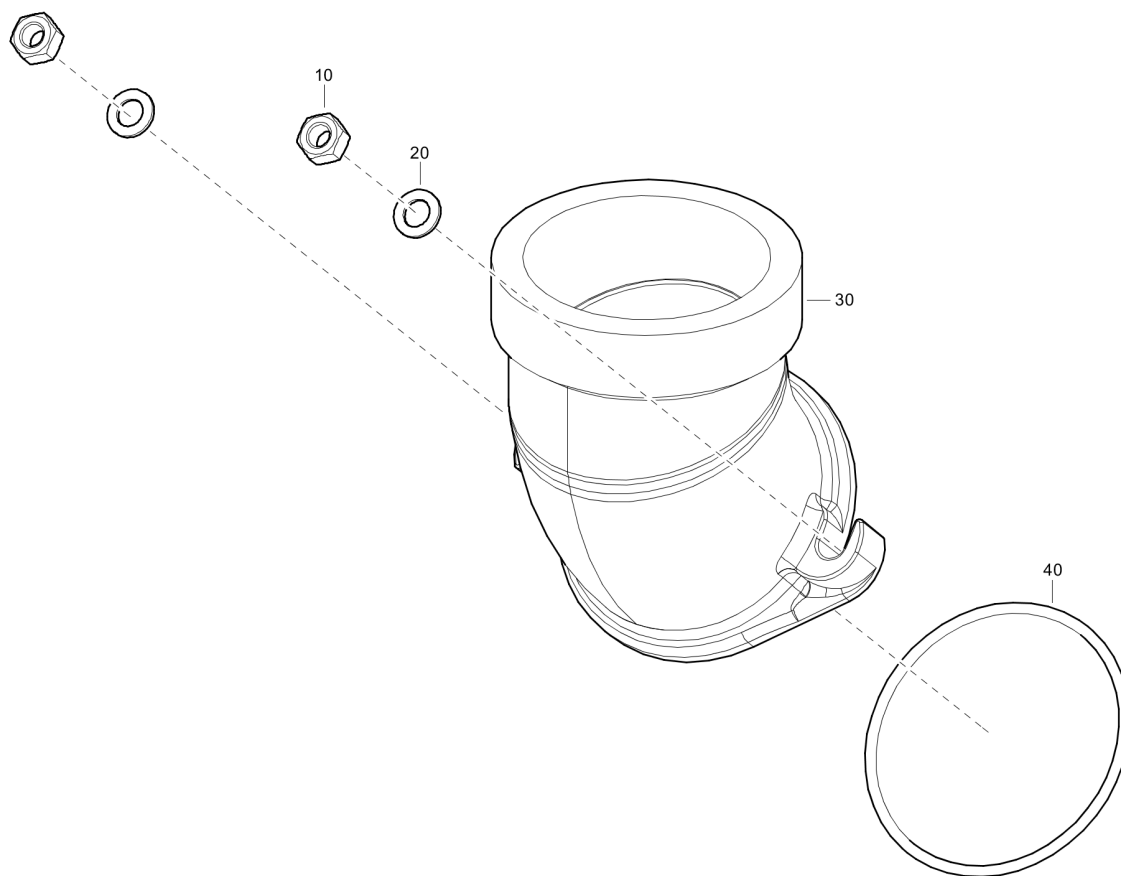
Fri Apr 24 06:22:04 UTC 2020

Item	Part No.	Name	Qty	L
10	4700W58023	Clamp	2	
20	5541062500	Nut DIN 934	2	
30	4700W51170	Washer DIN433-10,5-140HV-A2	2	
40	470W202565	Discharge 4" hose	1	
50	0663212097	O-ring 95X4 NBR 70 shore	1	

Refer to Parts Online for the most up to date information. The printed information might be outdated.

Fri Apr 24 06:22:04 UTC 2020

Discharge unit 4" ISO-G/NPT



Refer to Parts Online for the most up to date information. The printed information might be outdated.

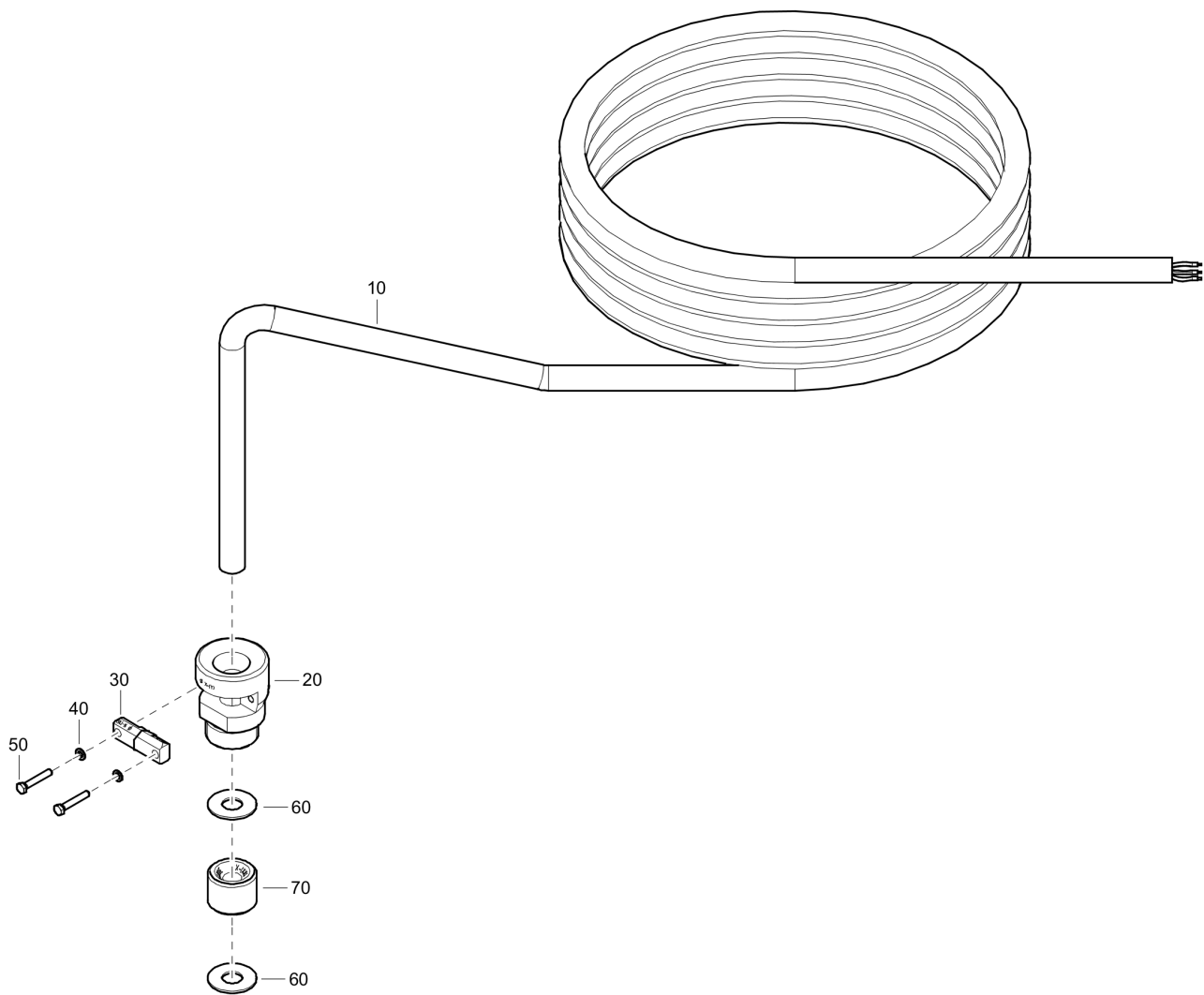
Fri Apr 24 06:22:04 UTC 2020

Item	Part No.	Name	Qty	L
10	5541062500	Nut DIN 934	2	
20	4700W51170	Washer DIN433-10,5-140HV-A2	2	
30	-	Discharge	-	
-	470W202481	Discharge ISO-G4	1	
-	470W202573	Discharge 4" NPT	1	
40	0663212097	O-ring 95X4 NBR 70 shore	1	

Refer to Parts Online for the most up to date information. The printed information might be outdated.

Fri Apr 24 06:22:04 UTC 2020

Cable unit



Refer to Parts Online for the most up to date information. The printed information might be outdated.

Fri Apr 24 06:22:05 UTC 2020

Item	Part No.	Name	Qty	L
10	-	Cable kit	-	
-	3081601967	Cable kit 3X2,5+3X2,5/3E+3X1,5ST 20m NSSHÖU Ø16,7-20,4mm	1	
-	1603494200	Cable kit 4AWG10 20m Ø13,9-15,5 mm S50/60N 460V	1	
-	1605227000	Cable kit 4G4mm ² 20m Ø14,4-15,4 mm	1	
-	3081690281	Cable kit 7G2,5mm ² 20m Ø17,4 mm	1	
-	1603490300	Cable kit 4G2,5mm ² 20m Ø12,1-13,5 mm	1	
-	3081600646	Cable kit 4AWG12 20m Ø11,1-12,3 mm S50/60N 575-600V	1	
-	3081601405	Cable 4G6mm ² 20m Ø15,7-17,4 mm	1	
-	1605226800	Cable 4G10mm ² 20m Ø20,9-24 mm	1	
-	1605218800	Cable 4G16mm ² 20m Ø23,8-26,7 mm	1	
-	1605231200	Cable 4AWG8, 65ft (20m) Ø0,669-0,74" (17-18,8 mm)	1	
-	3081690698	Cable kit,4G 4mm ² 30M Ø14,4-15,4 mm	1	
-	1605234800	Cable 4AWG6, 65ft (20m) Ø0,858-0,937" (21,8-23,8 mm)	1	
20	-	Cable inlet	-	
-	3081600576	Cable inlet G1 1/4" cable Ø12-(18) mm	1	
-	3081600577	Cable inlet G1 1/4" cable Ø18-(26)mm	1	
30	-	Strain relief	-	
-	3081600579	Strain relief for cable Ø12-(16) mm	1	
-	3081600580	Strain relief for cable Ø16-(26) mm	1	
40	-	Washer for cable	-	
-	3081600586	Washer for cable Ø14-(16) mm	2	
-	3081600587	Washer for cable Ø16-(18) mm	2	
-	3081600585	Washer for cable Ø12-(14) mm	2	
-	3081600590	Washer for cable Ø22-(24)mm	2	
-	3081600591	Washer for cable Ø24-(26)mm	2	
-	3081600589	Washer for cable Ø20-(22)mm	2	
50	-	Plain washer	-	
-	4700W76290	Screw DIN933-M6x30-ISO:A2-70	2	
-	4700W76269	Screw DIN933-M5x30-ISO:A2-70	2	
60	-	Corner set	-	
-	0333210837	Lock washer	2	
-	4700W58957	Washer DIN127-B5-ISO:A2	2	
70	-	Cable seal	-	
-	3081600520	Cable seal cable Ø14-(16) mm	1	
-	3081600521	Cable seal cable Ø16-(18) mm	1	

Refer to Parts Online for the most up to date information. The printed information might be outdated.

Fri Apr 24 06:22:05 UTC 2020

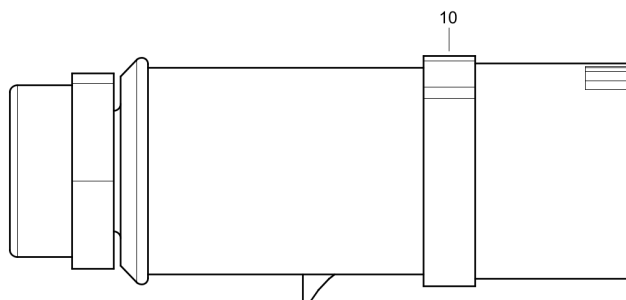
This page intentionally left blank

Item	Part No.	Name	Qty	L
-	3081600519	Cable seal cable Ø12-(14) mm	1	
-	3081600524	Cable seal Cable Ø22-(24)mm	1	
-	3081600525	Cable seal Cable Ø24-(26)mm	1	

Refer to Parts Online for the most up to date information. The printed information might be outdated.

Fri Apr 24 06:22:05 UTC 2020

Plug

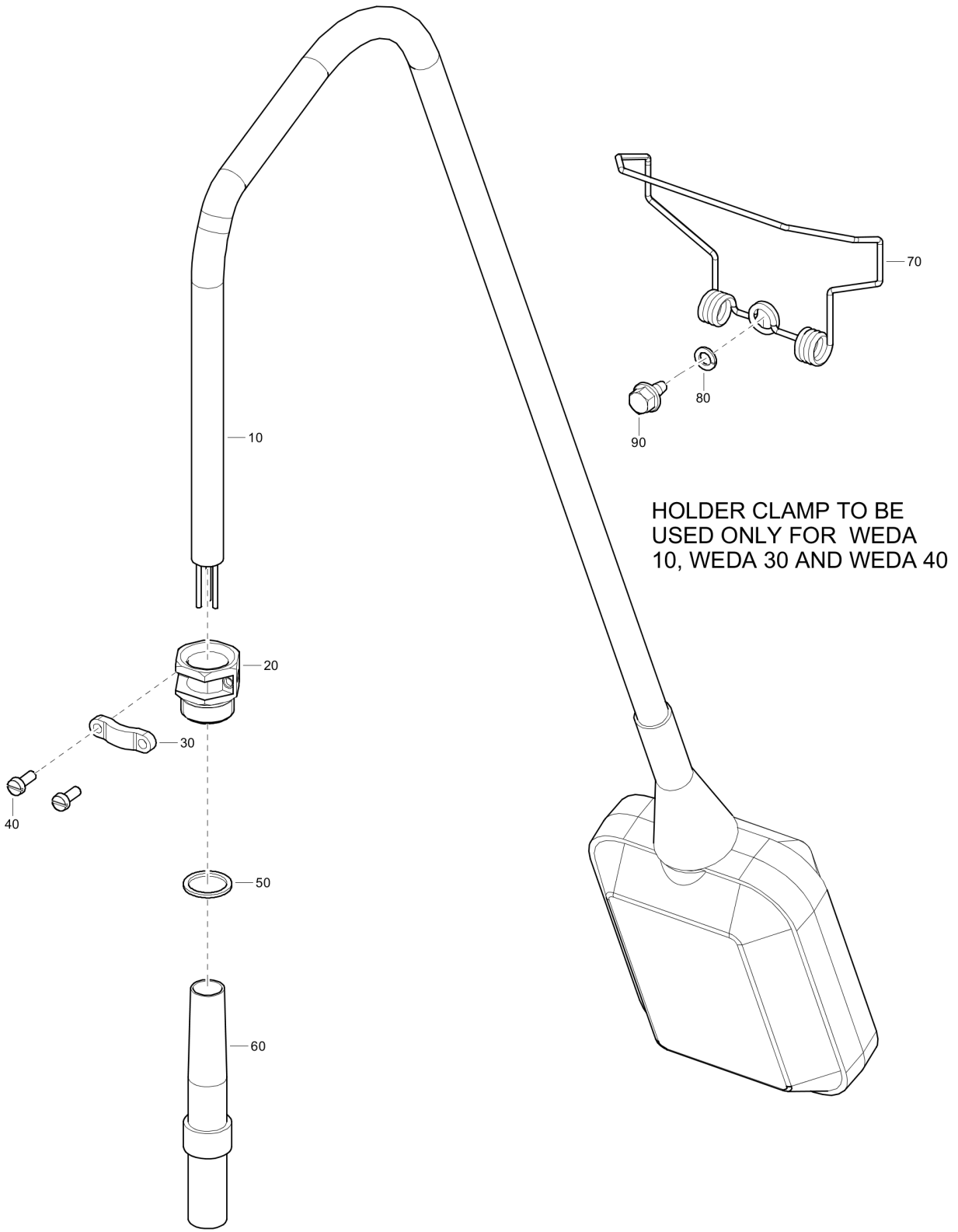


Item	Part No.	Name	Qty	L
10	-	Plug		
-	1607905500	Plug CEE 16 A 400V	1	
-	1607933900	Plug CEE 32 A 400V	1	

Refer to Parts Online for the most up to date information. The printed information might be outdated.

Fri Apr 24 06:22:05 UTC 2020

Float switch unit



Refer to Parts Online for the most up to date information. The printed information might be outdated.

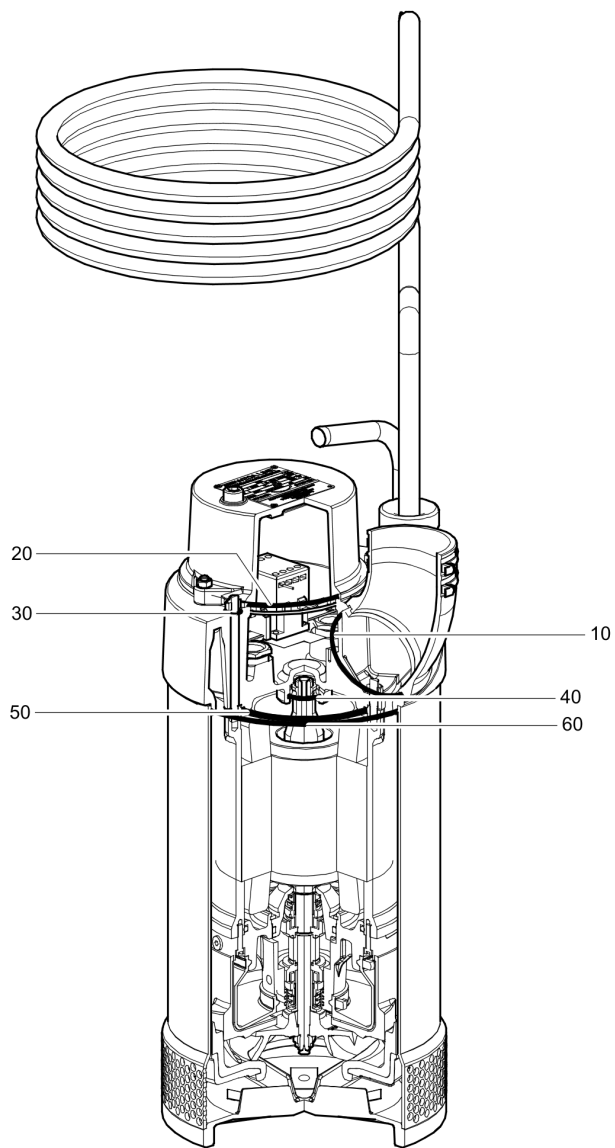
Fri Apr 24 06:22:06 UTC 2020

Item	Part No.	Name	Qty	L
10	1605261450	Float switch (CE)	1	
20	470W214823	Cable inlet	1	
30	470W214824	Cable keep	1	
40	1633010809	Screw DIN 84 M3x8 A2 ISO 1207	2	
50	470W214825	Washer	1	
60	470W214826	Cable sleeve	1	

Refer to Parts Online for the most up to date information. The printed information might be outdated.

Fri Apr 24 06:22:06 UTC 2020

O-ring kit



Refer to Parts Online for the most up to date information. The printed information might be outdated.

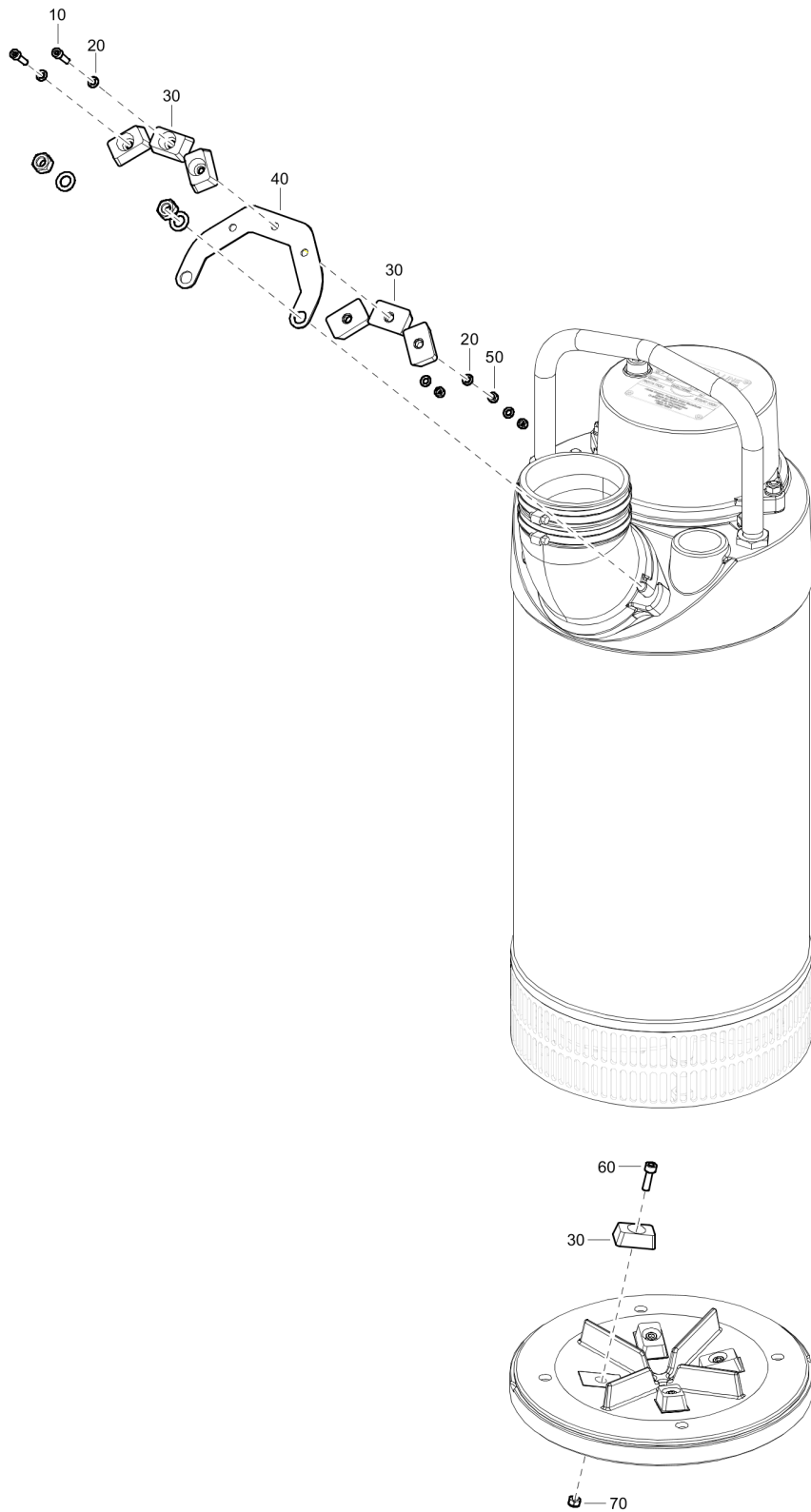
Fri Apr 24 06:22:07 UTC 2020

Item	Part No.	Name	Qty	L
-	3081690296	O-ring kit	1	
10	0663212097	O-ring 95X4 NBR 70 shore	1	
20	470W254073	O-ring 162X3-NBR 70 shore	2	
30	4700W65007	O-ring 9,3X2,4-NBR 70 shore	2	
40	4700W65024	O-ring 39x3-NBR 70 shore	1	
50	3081600871	O-ring 158,12X6,99-NBR 70 shore	1	
60	470W254085	O-ring 248X3-NBR 70 shore	1	

Refer to Parts Online for the most up to date information. The printed information might be outdated.

Fri Apr 24 06:22:07 UTC 2020

Zinc anode kit



Refer to Parts Online for the most up to date information. The printed information might be outdated.

Fri Apr 24 06:22:07 UTC 2020

Item	Part No.	Name	Qty	L
-	3081690291	Zinc anode kit	1	
10	3081600539	Screw DIN 912 M5X20 A2-70	3	
20	0300012920	Washer	6	
30	470W209275	Zinc anode	10	
40	3081600508	Bracket for zinc anodes	1	
50	1633010649	Lock nut DIN 985 M5 A2 ISO 10511	3	
60	3081600540	Screw DIN912 M6x20 A2-70	4	
70	1633010650	Lock nut DIN 985 M6 A2 ISO 10511	4	

Refer to Parts Online for the most up to date information. The printed information might be outdated.

Fri Apr 24 06:22:07 UTC 2020