



Functional Group

**Frame**

Functional Group Number

**1**

Table Number

**-**

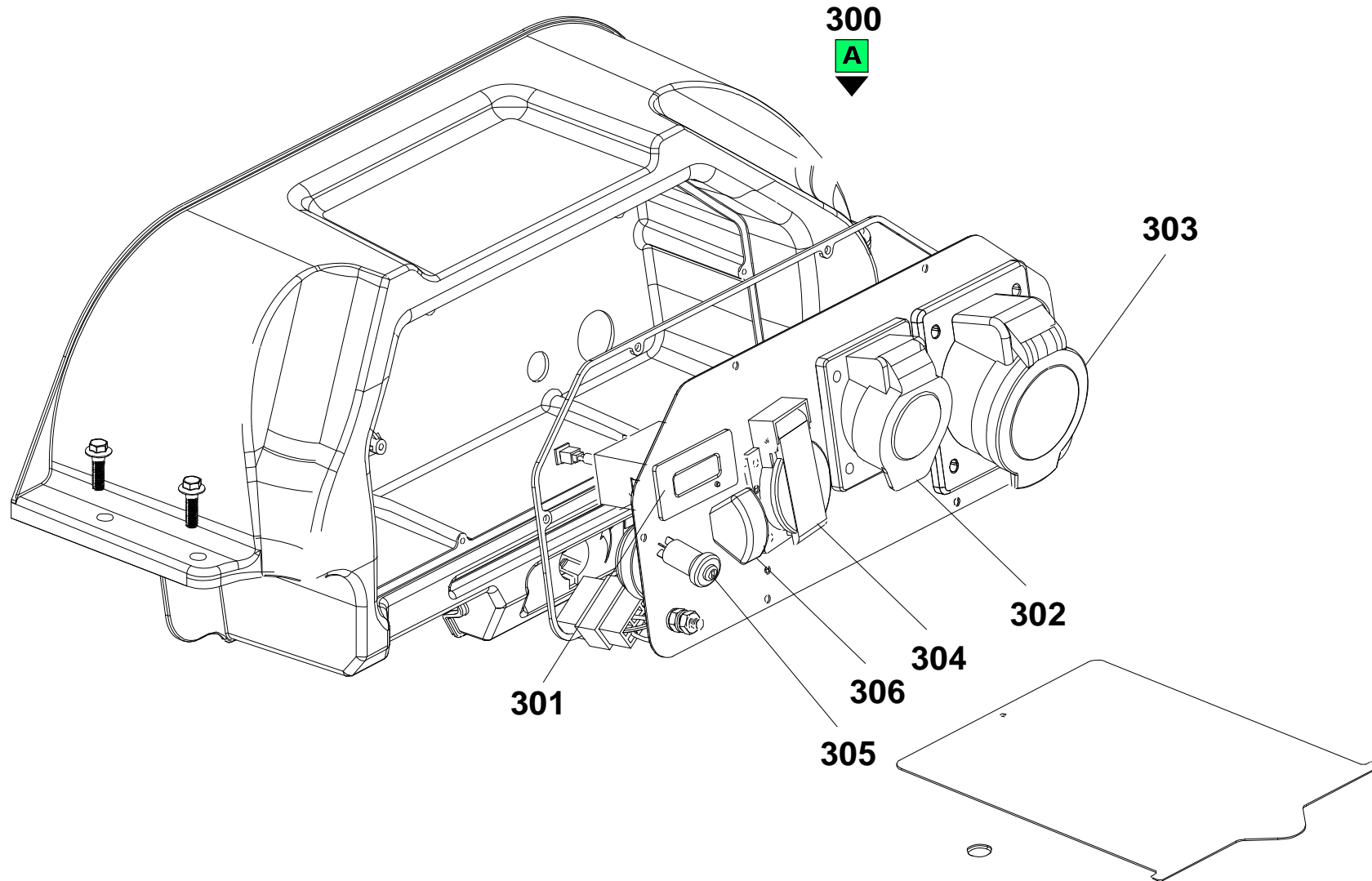
Revision

**0 (06-2013)**

PX8000-TRIFASE - Machine code: PK472TXB000

Spare Parts Catalogue PX8000-TRIFASE - Revision: 0 (6/2013)

Position	Part Number	Description	Notes
20	PAA00101	Muffler Assembly Px8000	-
87	PAA00118	Wheel Assy 5000/8000	-
	PAA00118	Wheel Assy 5000/8000	-
88	PAA00122	Wheel Hub Cap 4000/5000/8000	-
89	PAA00115	Side Cover/muffler Side 5000/8000	-
90	PAA00114	Side Cover Foam/muffler Side 5000/8000	-
95	PAA8000F	Frame Assy Engine Green Pramac	-
96	PAA00116	Side Cover Foam/alternator Side 5000/8000	-
97	PAA00117	Side Cover/alternator Side 5000/8000	-
100	PAA00119	Silent Block Stud Bolt 5000/8000	-
106	PAA00120	Silent Block/single Head Bolt /damping Glue 5000/8000	-
109	PAA00121	Silent Block A Engine 5000/8000	-
110	PAA00140	Tank, Fuel Assy 5000/8000	-
112	PAA00112	Support Rubber Pad 4000/5000/8000	-
113	PAA00113	Support Assy 4000/5000/8000	-
115	PAA00111	Handle Assy/pramac Green Orange Peeled	-
116	PAA00110	Handle Foam Sleeve	-
124	G080112	Gasoline Filter	-
128	PAA00145	Cock Assy, Fuel 4000/5000/8000	-
129	PAA80528	Battery	-
131	G051521	Shell Fuel Cap For Metal Tank - Vent Holes On Top	-
136	PAA00142	Strainer?fuel 4000/5000/8000	-
139	PAA00146	Fuel Gauge Tank 4000/5000/8000	-





Functional Group

**Electric control panel**

Functional Group Number

**2**

Table Number

**-**

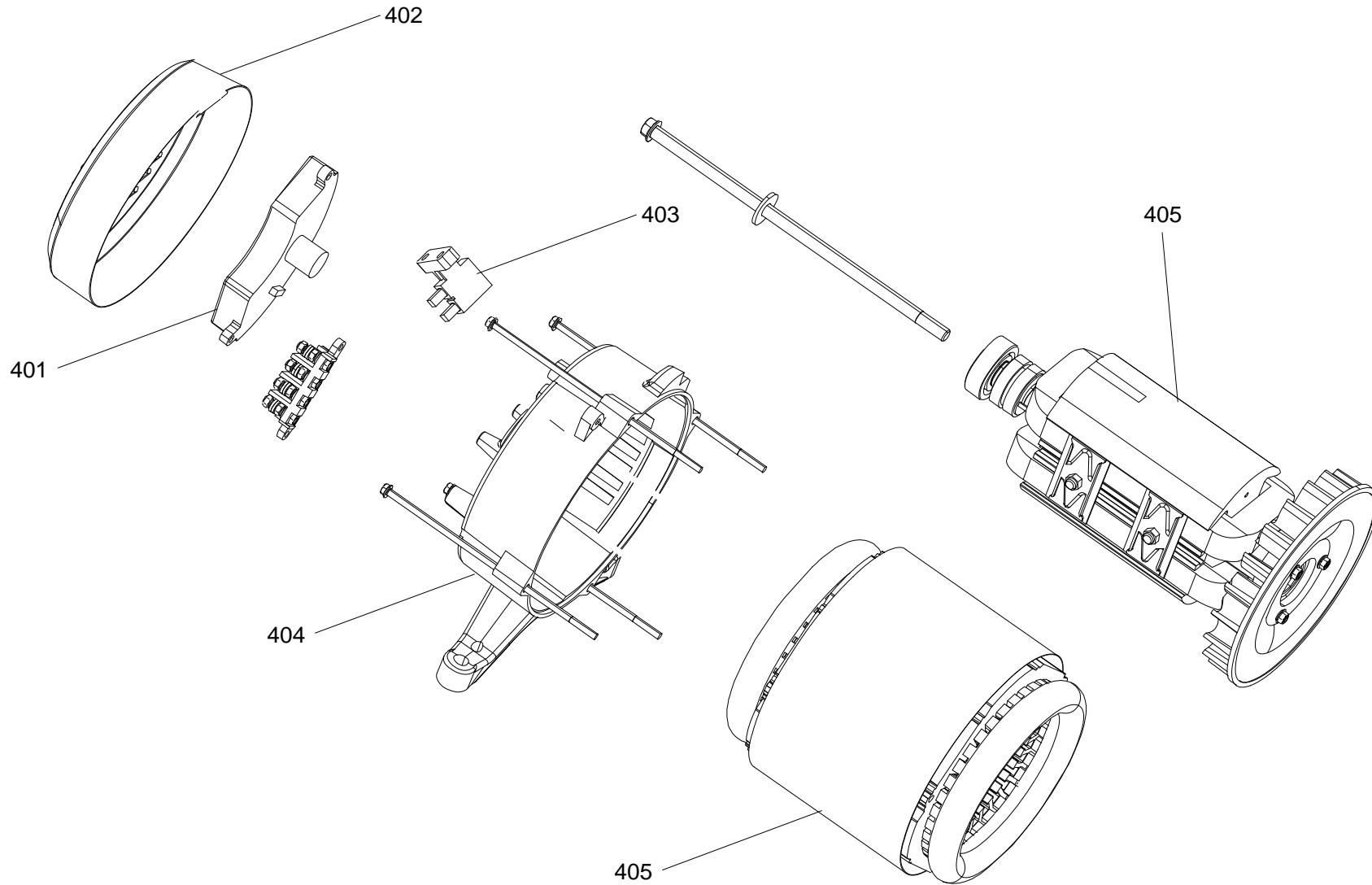
Revision

**0 (06-2013)**

PX8000-TRIFASE - Machine code: PK472TXB000

Spare Parts Catalogue PX8000-TRIFASE - Revision: 0 (6/2013)

Position	Part Number	Description	Notes
300	<b>PAA80005</b>	Panel Subassembly, Control Trif	-
301	<b>G077014</b>	Digital Multimeter Three Phase For Panel	-
302	<b>P3SN00055</b>	Socket Cee Ip44 16a 2p+t 230v	-
303	<b>G071126</b>	Panel Mount Socket 3p+n+t 400v 16a Ip44 Cee	-
304	<b>G071131</b>	Socket Subassembly, Power Supply	-
305	<b>PAA80007</b>	Start Switch Key	-
	<b>PGT70049</b>	Interrupteur On/off	-
306	<b>PGT62049</b>	Breaker Three-pole	-





Functional Group  
**Alternator**

Functional Group Number  
**3**

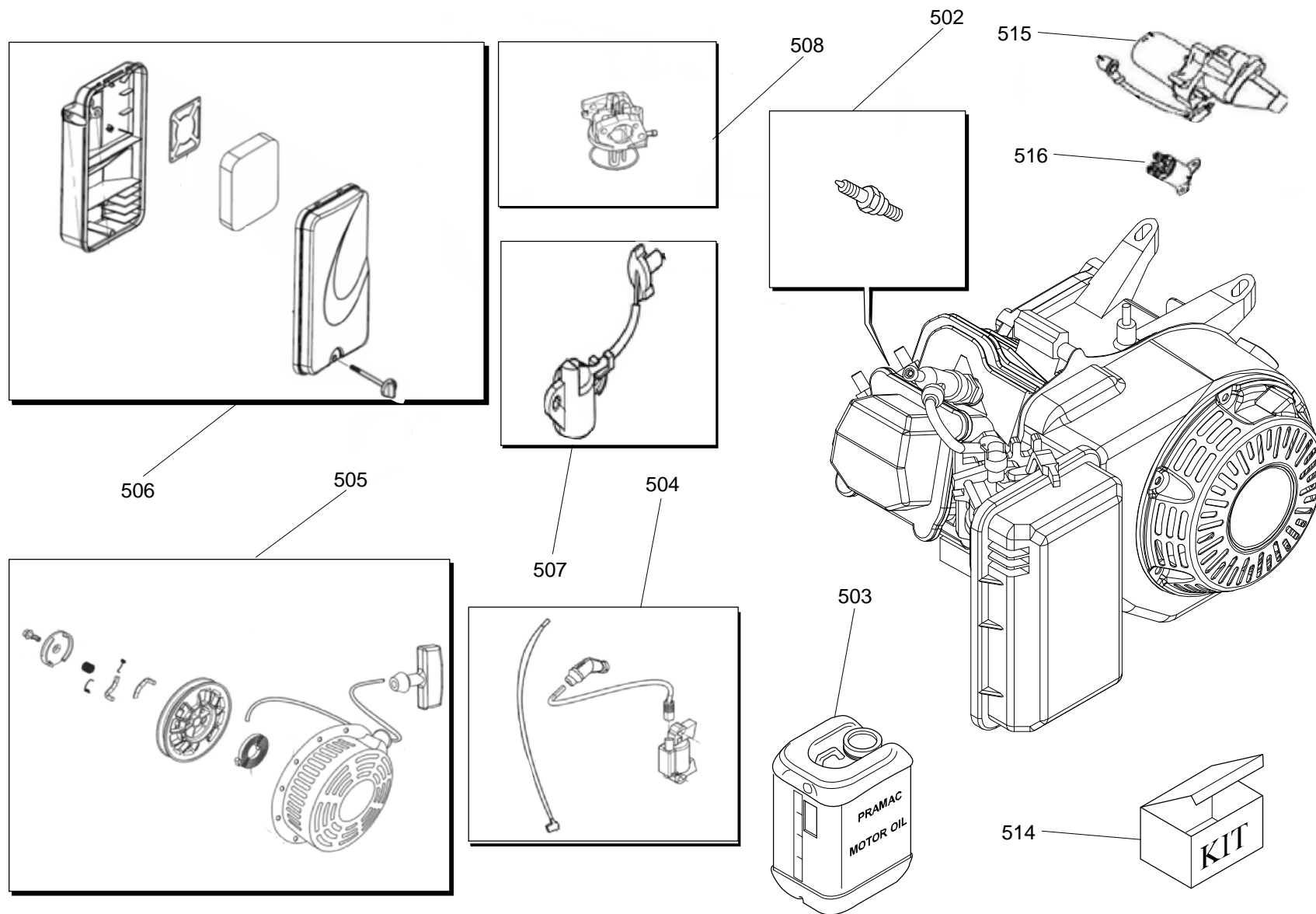
Table Number  
**-**

Revision  
**0 (06-2013)**

PX8000-TRIFASE - Machine code: PK472TXB000

Spare Parts Catalogue PX8000-TRIFASE - Revision: 0 (6/2013)

Position	Part Number	Description	Notes
401	<b>PAA80008</b>	Avr Threephase Px8000	-
402	<b>PAA00103</b>	Alternator End Cover 5000/8000	-
403	<b>PAA00034</b>	Brushes ((new Code Paa00104)	-
404	<b>PAA00105</b>	Bracket, Motor 5000/8000	-
405	<b>PAA8002A</b>	Complete Alternator Three Phase	-





Functional Group

**Engine**

Functional Group Number

**4**

Table Number

**-**

Revision

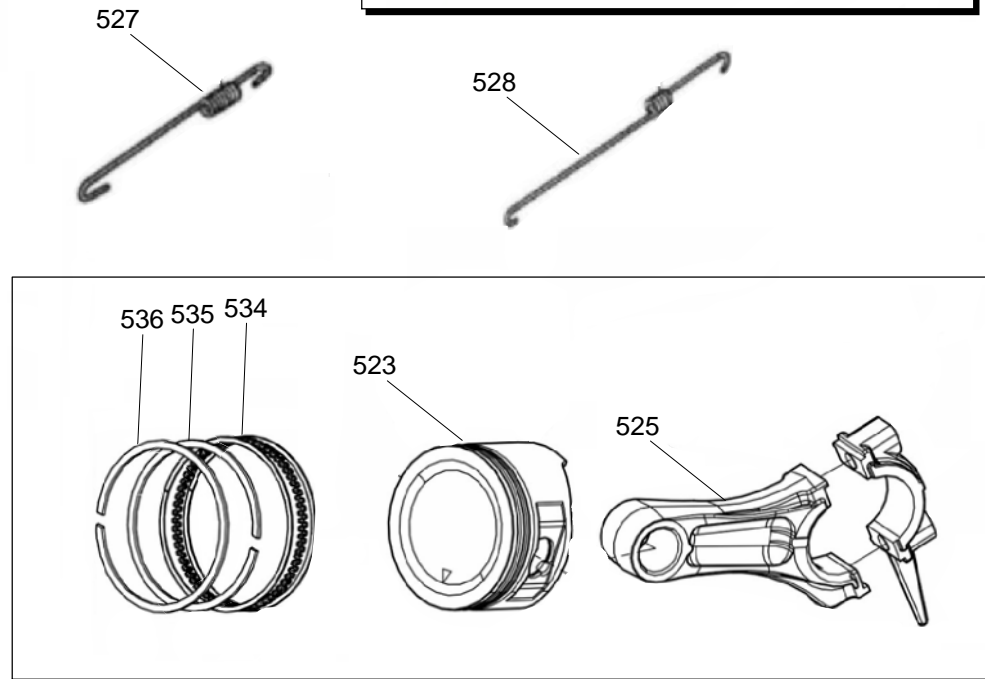
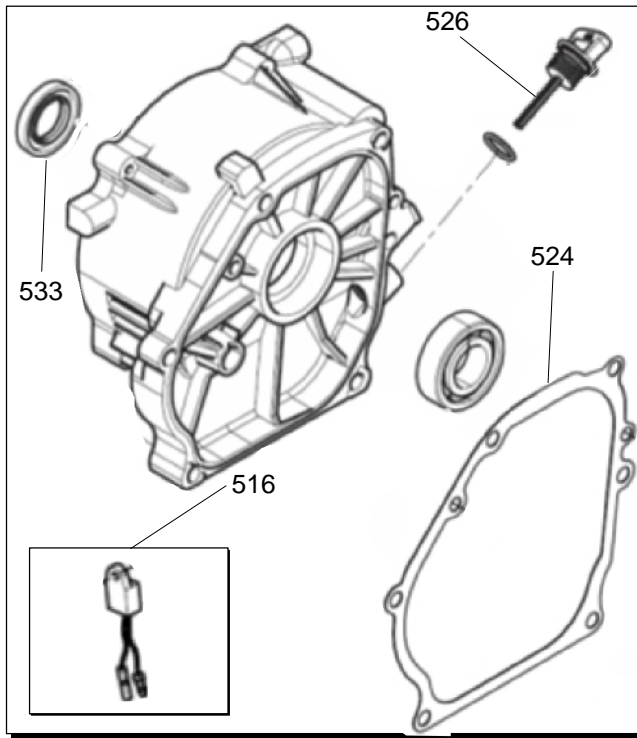
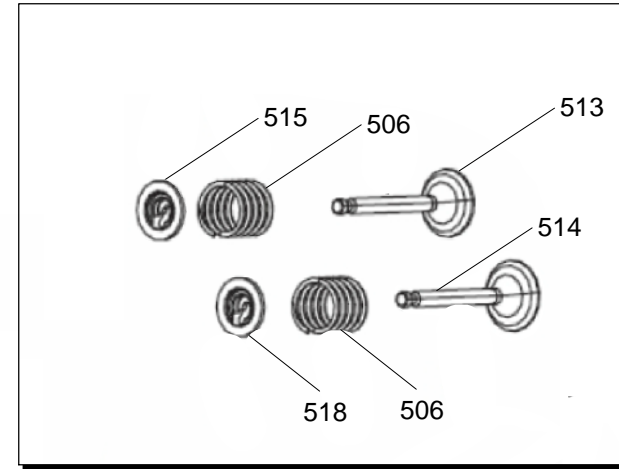
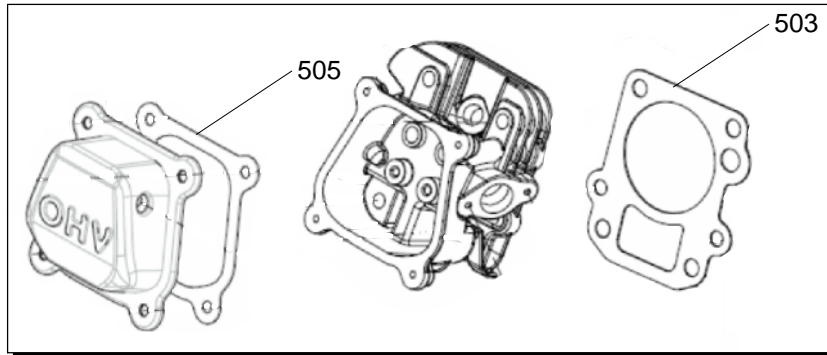
**0 (06-2013)**

PX8000-TRIFASE - Machine code: PK472TXB000

Spare Parts Catalogue PX8000-TRIFASE - Revision: 0 (6/2013)

Position	Part Number	Description	Notes
502	PAA00500	Plug Spark 5000/8000	-
503	P3KI00299	Kit Pramac Power	-
504	PAA00525	Ignation Coil Assy 5000/8000	-
505	PAA00521	Starter Assy 5000/8000	-
506	PAA00506	Complete Air Filter Case 5000/8000	-
507	PAA00513	Sensor Engine Oil 5000/8000	-
508	PAA00505	Carburator Assy 8000	-
515	PAA80526	Starting Motor Assy	-
516	PAA80527	Starter Relay	-







Functional Group

**Engine**

Functional Group Number

**4**

Table Number

-

Revision

**0 (06-2013)**

PX8000-TRIFASE - Machine code: PK472TXB000

Spare Parts Catalogue PX8000-TRIFASE - Revision: 0 (6/2013)

Position	Part Number	Description	Notes
503	PAA00507	Gasket Cylinder Head 5000/8000	-
505	PAA00501	Cylinder Head Cover Seal 5000/8000	-
506	PGT00513	Spring Valve 6200/6250/7000	-
513	PAA00508	Valve Exhaust 5000/8000	-
514	PAA00509	Valve Intake 5000/8000	-
515	PAA00503	Exhaust Valve Spring Retainer 5000/8000	-
516	PAA00514	Protector Oil 5000/8000	-
518	PAA00502	Inlet Valve Spring Retainer 5000/8000	-
523	PAA80511	Piston	-
524	PAA00519	Gasket Carter Engine 5000/8000	-
525	PAA80512	Rod, Connecting	-
526	PAA00518	Oil Cap 5000/8000	-
527	PAA00515	Spring Governor 5000/8000	-
528	PAA00516	Spring Throttle Valve 5000/8000	-
533	PAA00520	Seal Oil 5000/8000	-
534	PAA80510	Ring Set, Oil Kit	-
535	PAA80510	Ring Set, Oil Kit	-
536	PAA80510	Ring Set, Oil Kit	-