



Functional Group

Frame

Functional Group Number

1

Table Number

-

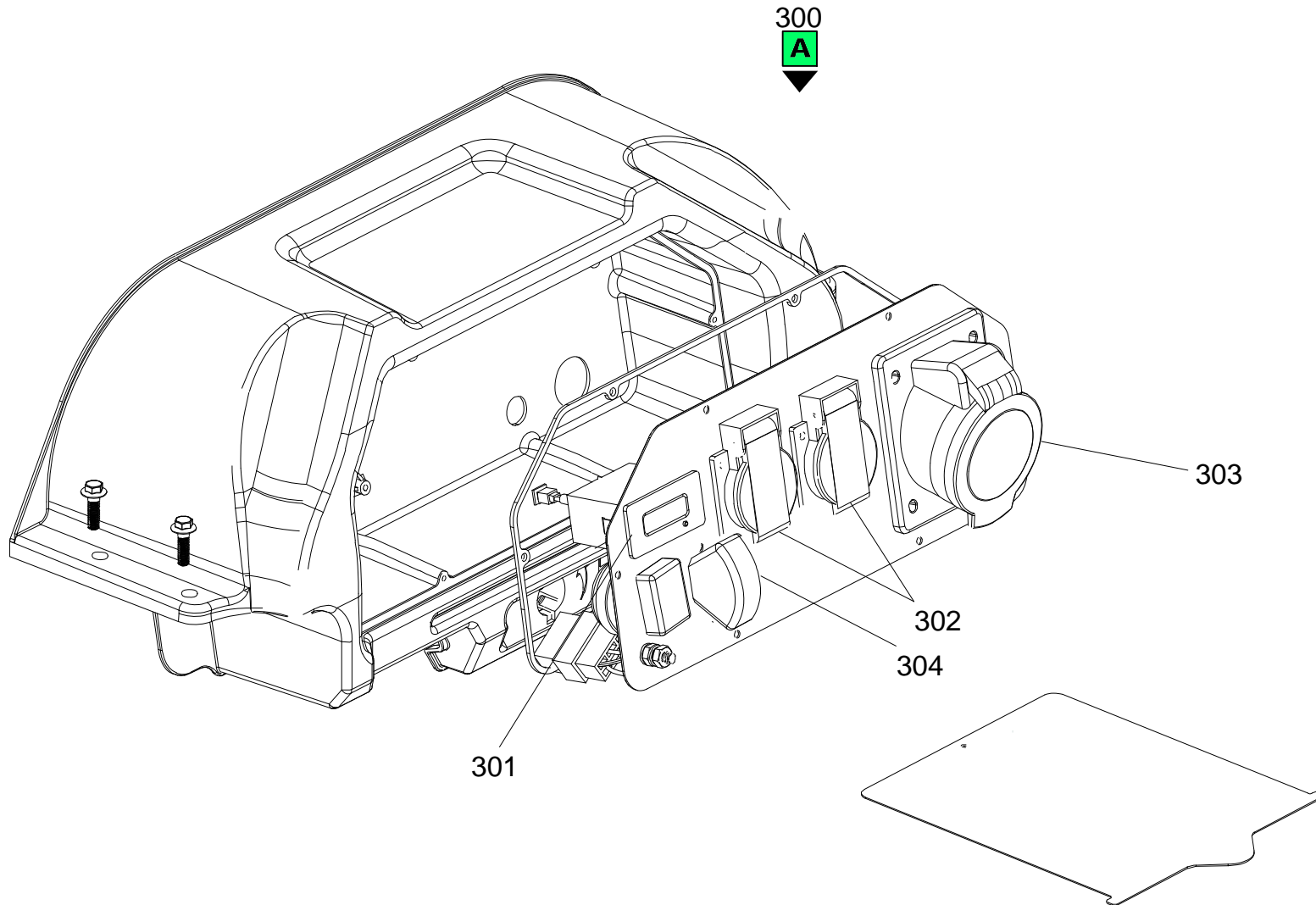
Revision

0 (05-2013)

PX5000 - Machine code: PK332SXI000

Spare Parts Catalogue PX5000 - Revision: 0 (5/2013)

Position	Part Number	Description	Notes
20	PAA00102	Muffler Assembly Px5000	-
87	PAA00118	Wheel Assy 5000/8000	-
88	PAA00122	Wheel Hub Cap 4000/5000/8000	-
89	PAA00115	Side Cover/muffler Side 5000/8000	-
90	PAA00114	Side Cover Foam/muffler Side 5000/8000	-
95	PAA5000F	Frame Assy Engine Green Pramac	-
96	PAA00116	Side Cover Foam/alternator Side 5000/8000	-
97	PAA00117	Side Cover/alternator Side 5000/8000	-
100	PAA00119	Silent Block Stud Bolt 5000/8000	-
106	PAA00120	Silent Block/single Head Bolt /damping Glue 5000/8000	-
109	PAA00121	Silent Block A Engine 5000/8000	-
110	PAA00140	Tank, Fuel Assy 5000/8000	-
112	PAA00112	Support Rubber Pad 4000/5000/8000	-
113	PAA00113	Support Assy 4000/5000/8000	-
115	PAA00111	Handle Assy/pramac Green Orange Peeled	-
116	PAA00110	Handle Foam Sleeve	-
118	PAA00526	Handle Tube Permanent Seat	-
124	G080112	Gasoline Filter	-
128	PAA00145	Cock Assy, Fuel 4000/5000/8000	-
131	G051521	Shell Fuel Cap For Metal Tank - Vent Holes On Top	-
136	PAA00142	Strainer?fuel 4000/5000/8000	-
139	PAA00146	Fuel Gauge Tank 4000/5000/8000	-





Functional Group

Electric control panel

Functional Group Number

2

Table Number

-

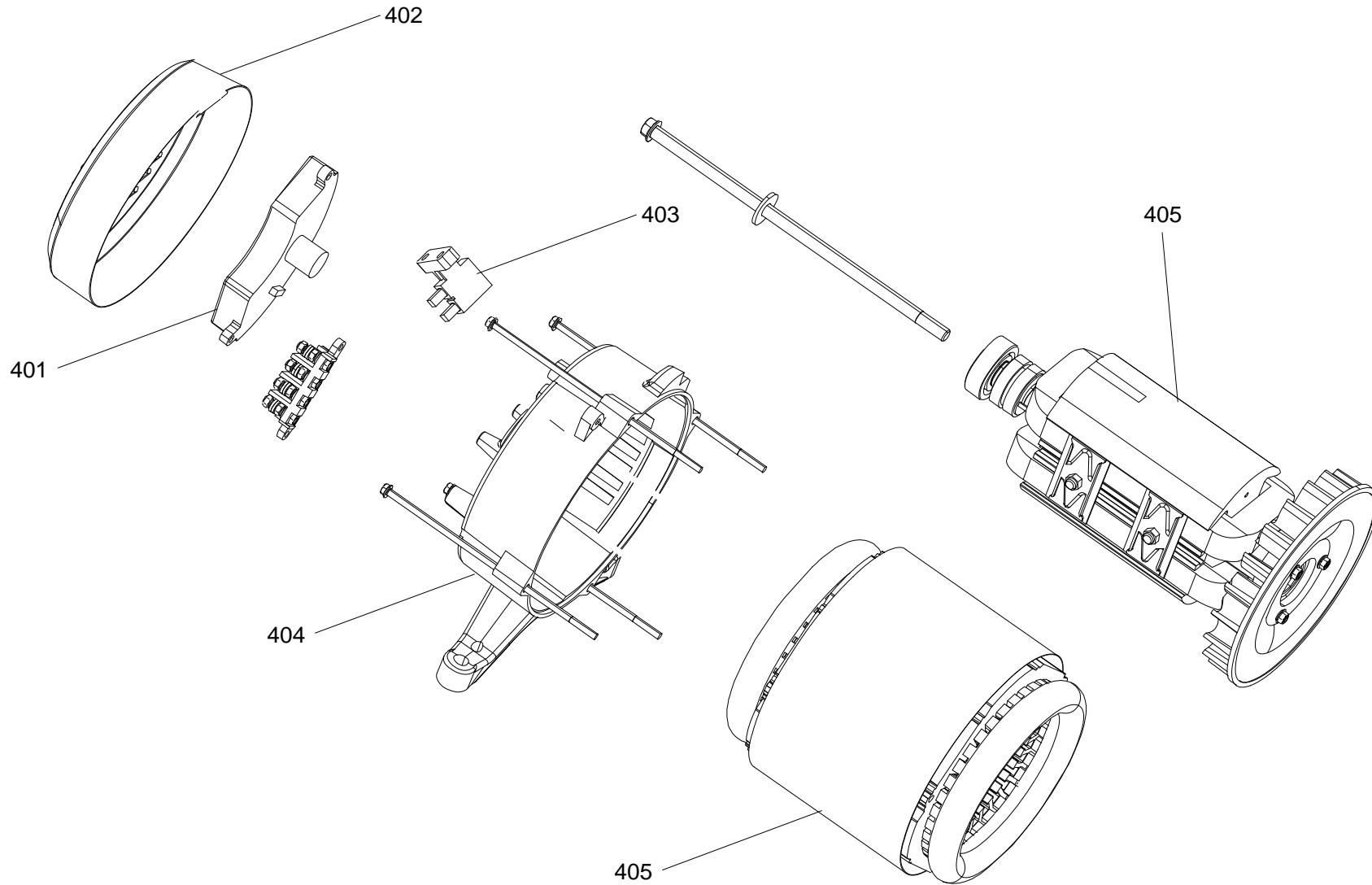
Revision

0 (05-2013)

PX5000 - Machine code: PK332SXI000

Spare Parts Catalogue PX5000 - Revision: 0 (5/2013)

Position	Part Number	Description	Notes
300	PAA50002	Panel Subassembly, Control	-
301	G077009	Digital Multimeter Single Phase For Panel	-
302	G071131	Socket Subassembly, Power Supply	-
303	P3SN00052	Socket Cee Ip44 32a 2p+t 230v	-
304	PAA00149	Px5000 Magneto Thermal Circuit Breaker In=16a + Ip Protection	-





Functional Group

Alternator

Functional Group Number

3

Table Number

-

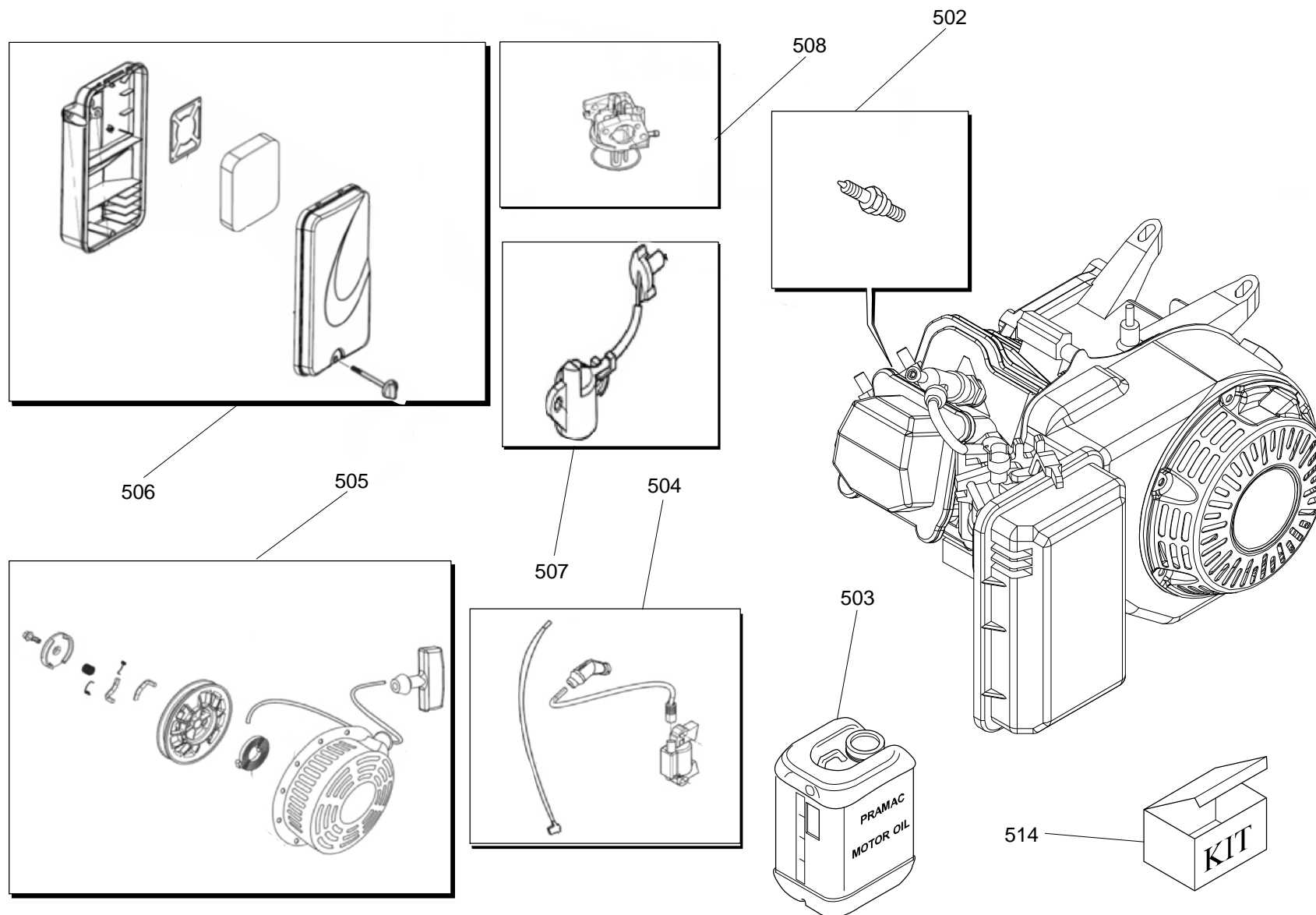
Revision

0 (05-2013)

PX5000 - Machine code: PK332SXI000

Spare Parts Catalogue PX5000 - Revision: 0 (5/2013)

Position	Part Number	Description	Notes
401	PAA50004	Regulator, Voltage	-
402	PAA00103	Alternator End Cover 5000/8000	-
403	PAA00034	Brushes ((new Code Paa00104)	-
404	PAA00105	Bracket, Motor 5000/8000	-
405	PAA5000A	Complete Alternator	-





Functional Group

Engine

Functional Group Number

4

Table Number

-

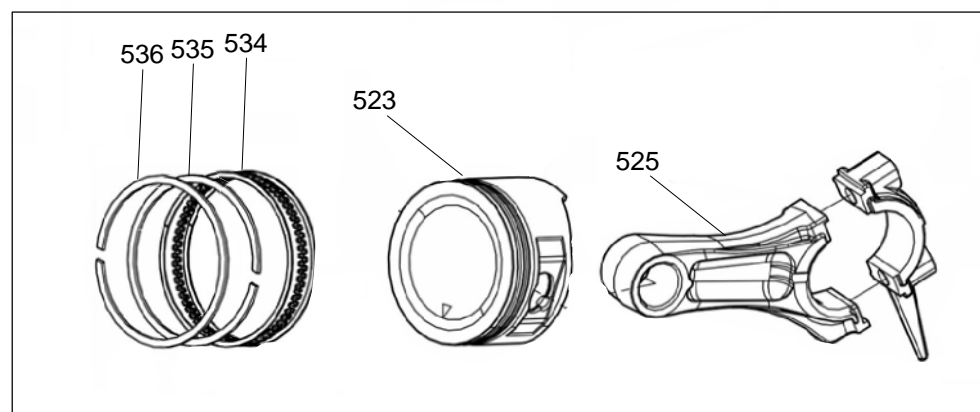
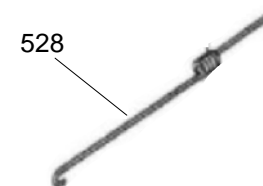
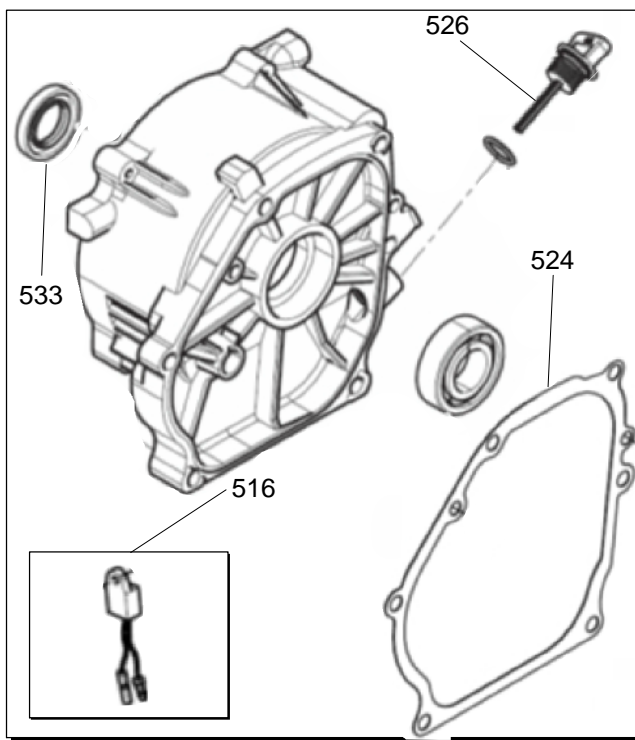
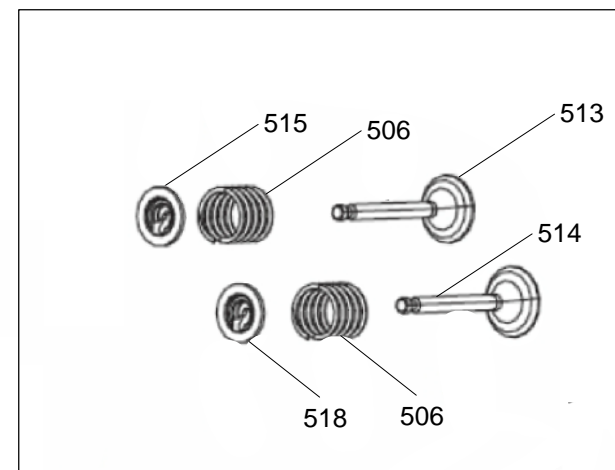
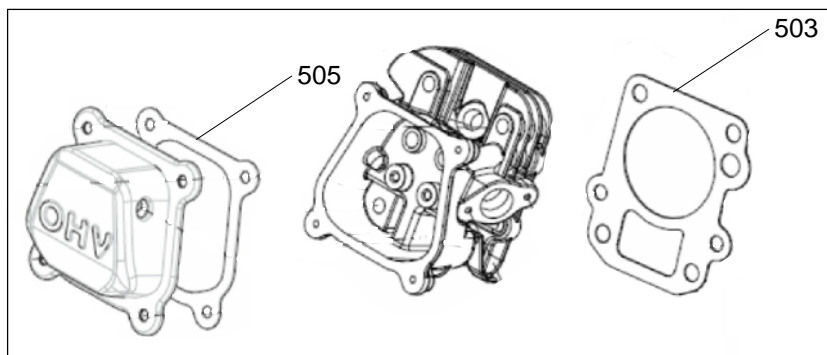
Revision

0 (05-2013)

PX5000 - Machine code: PK332SXI000

Spare Parts Catalogue PX5000 - Revision: 0 (5/2013)

Position	Part Number	Description	Notes
502	PAA00500	Plug Spark 5000/8000	-
503	P3KI00299	Kit Pramac Power	-
504	PAA00525	Ignation Coil Assy 5000/8000	-
505	PAA00521	Starter Assy 5000/8000	-
506	PAA00506	Complete Air Filter Case 5000/8000	-
507	PAA00513	Sensor Engine Oil 5000/8000	-
508	PAA00530	Carburator Assy 5000	-





Functional Group

Engine

Functional Group Number

4

Table Number

-

Revision

0 (05-2013)

PX5000 - Machine code: PK332SXI000

Spare Parts Catalogue PX5000 - Revision: 0 (5/2013)

Position	Part Number	Description	Notes
503	PAA00507	Gasket Cylinder Head 5000/8000	-
505	PAA00501	Cylinder Head Cover Seal 5000/8000	-
506	PGT00513	Spring Valve 6200/6250/7000	-
513	PAA00508	Valve Exhaust 5000/8000	-
514	PAA00509	Valve Intake 5000/8000	-
515	PAA00503	Exhaust Valve Spring Retainer 5000/8000	-
516	PAA00514	Protector Oil 5000/8000	-
518	PAA00502	Inlet Valve Spring Retainer 5000/8000	-
523	PAA50511	Piston	-
524	PAA00519	Gasket Carter Engine 5000/8000	-
525	PAA50512	Rod, Connecting	-
526	PAA00518	Oil Cap 5000/8000	-
527	PAA00515	Spring Governor 5000/8000	-
528	PAA00516	Spring Throttle Valve 5000/8000	-
533	PAA00520	Seal Oil 5000/8000	-
534	PAA50510	Ring Set, Oil Kit	-
535	PAA50510	Ring Set, Oil Kit	-
536	PAA50510	Ring Set, Oil Kit	-