



## Spare Parts Catalogue

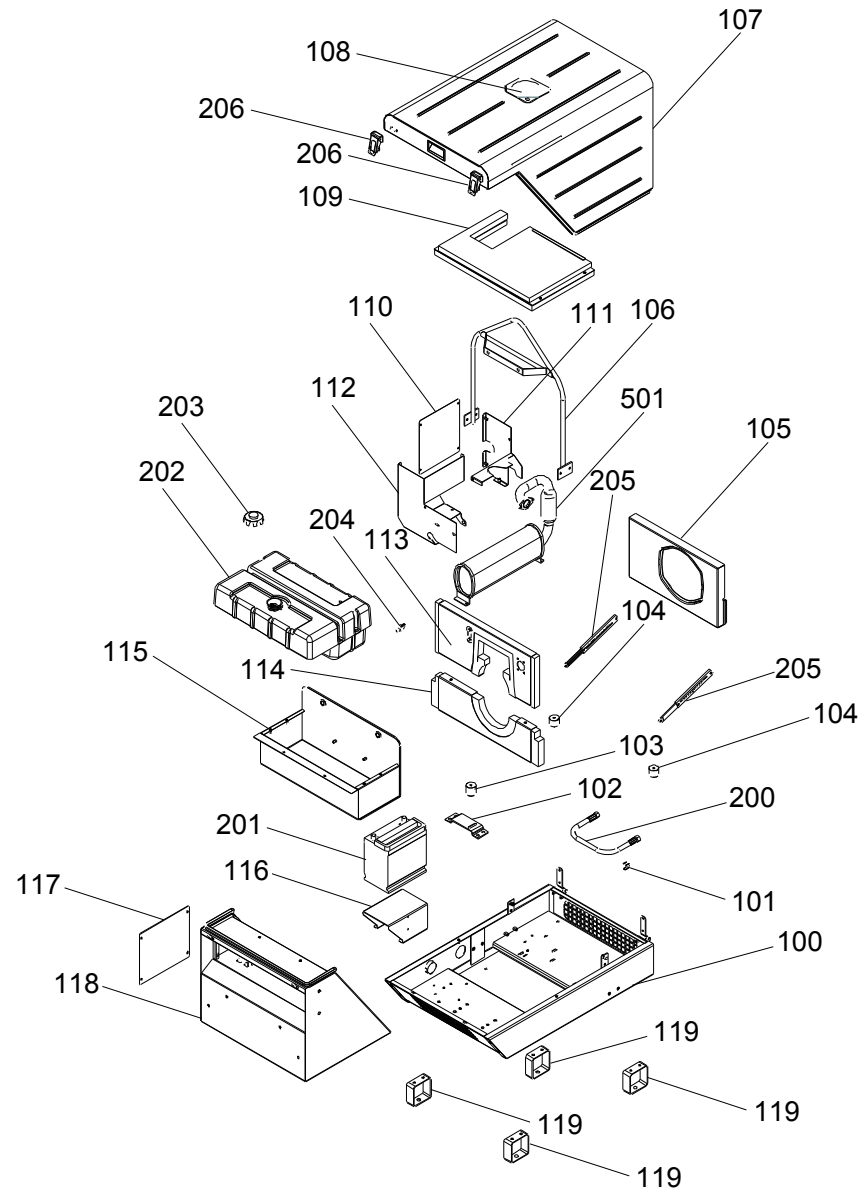
# P9000-2013-THREEPHASE-

Power systems | Generating sets

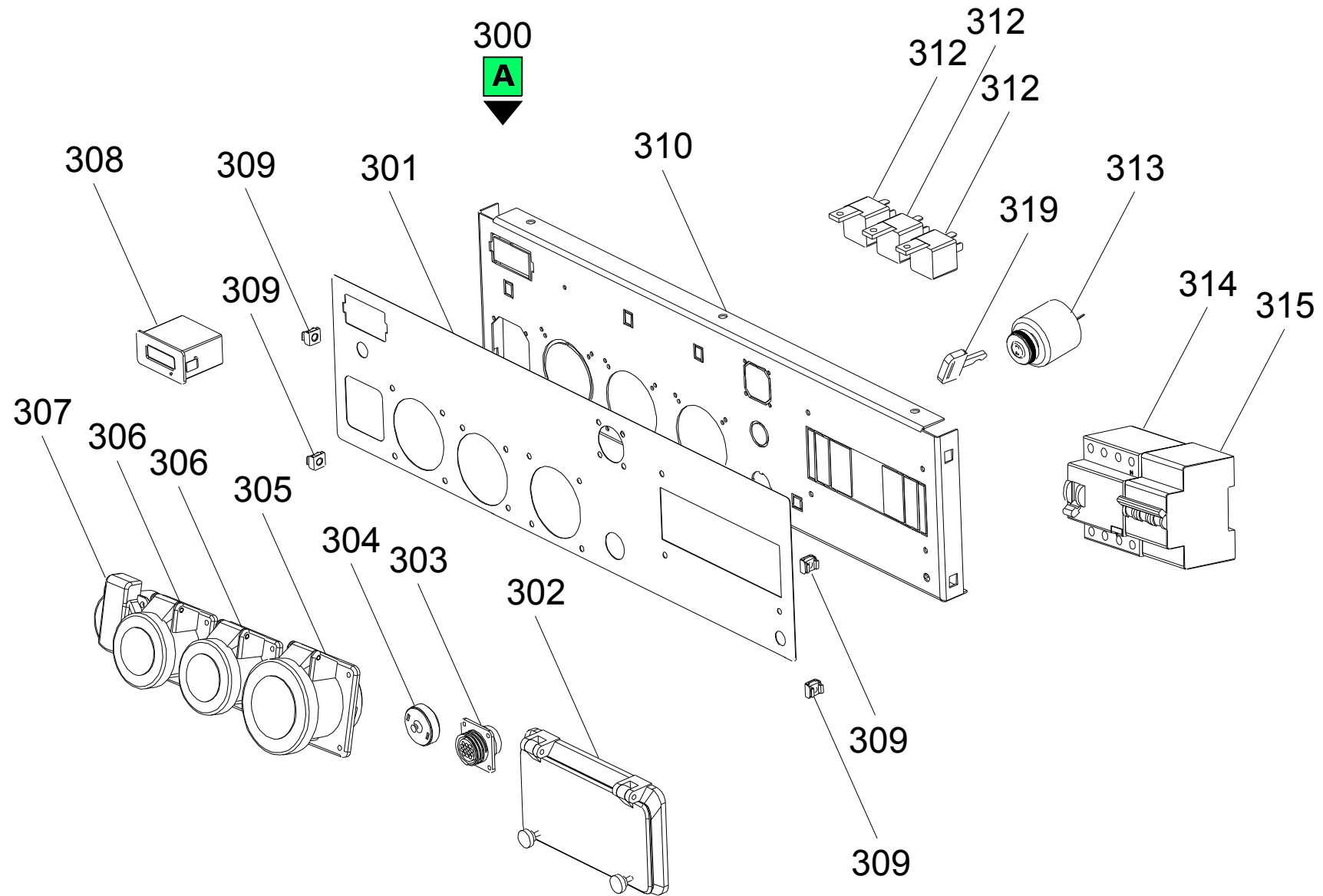
Valid for machine code: PF882TRAY03

Revision: 0 (1/2015)

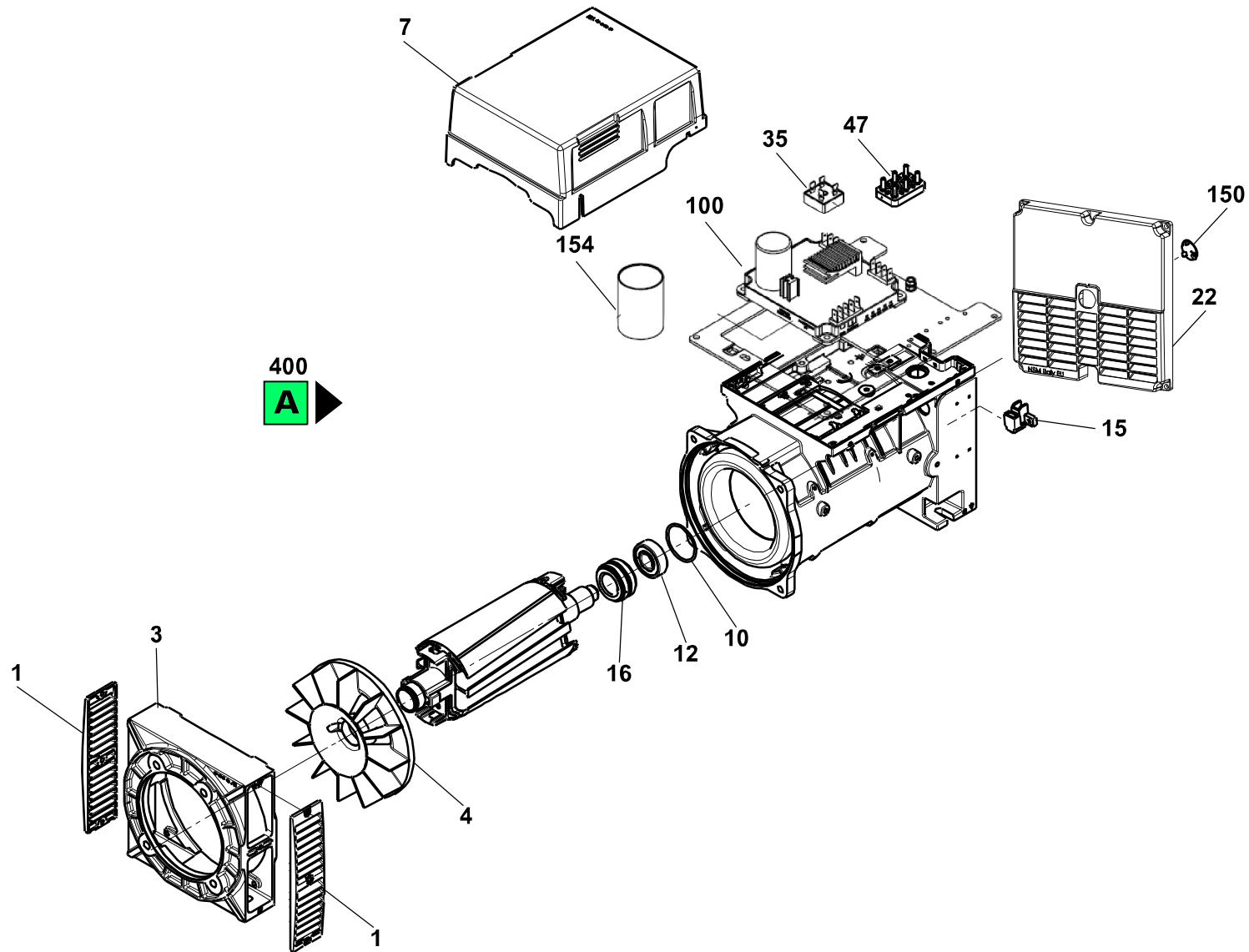
Copyright 2016 Pramac Group, All Rights Reserved.



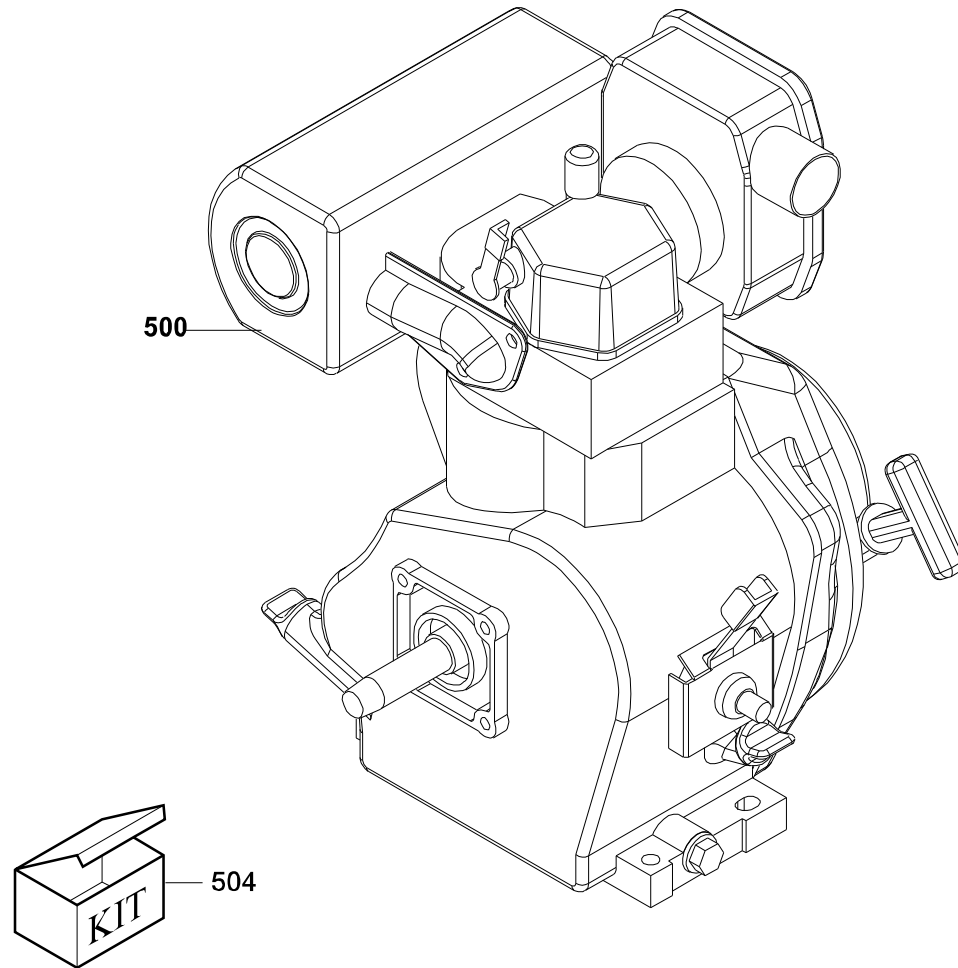
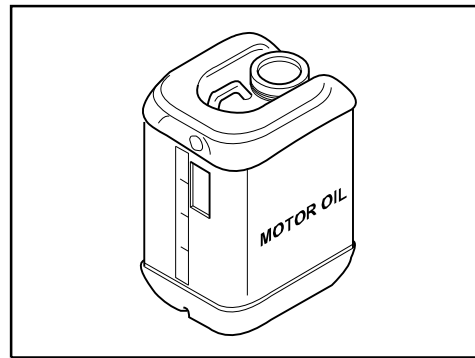
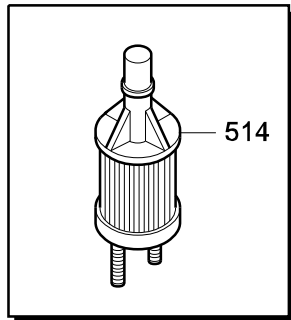
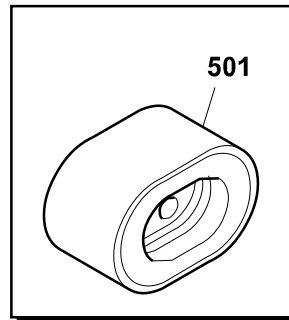
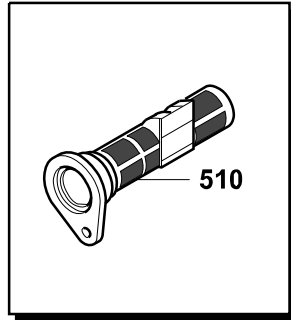
Position	Part Number	Description	Notes
100	VM5C904011-9005B	Baseframe P6000/9000/12000 Restyling V2 (painted Ral 9005b)	-
101	G001155	Metallic Pipe Cilp 20mm Diam. (jet Press Ref. Cac287 Ppblk )	-
102	VM1198-9005B	Soporte Alternador Linz Para P9000 Restyling (pintada)	-
103	G052120	Cylindric Silent-block Mf-40x40-m8x14-m8-45	-
104	▲ G052118	Use G052183	Valid for products manufactured until 23/09/2014
	▲ G052183	Silent-block Cil. Mf-40x30-m8x23-m8-45	Valid for products manufactured from 23/09/2014
105	SA50023000	Assembled Engine Air Conveyor P9000	-
106	VM5E904004-9005B	Lifting Baseframe P6000 Rev.01 Restyling (painted)	-
107	SM5Z001947	Canopy P6000 Restyling V2 (assembly Ral Pramacb)	-
108	VA9475-9005B	Coverage Buttonhole Of Lifting P6000s Paint Black	-
109	SM5Z001898	Tubuladura Divisoria En Carroceria P9000 Restyling Forrada Ral 9005b	-
110	GA9747	Engine Air Conveyor Cap P9000	-
111	SA50023008	Top Engine Air Conveyor P9000	-
112	SA50023004	Lower Engine Air Conveyor P9000	-
113	SA50023007	Assembled Top Alternator Conveyor	-
114	SM5Z002845	Assembled Lower Alternator P9000 Restyling V2 + Avr Conveyor	-
115	SM5Z002305	Fuel Tank Support P6000 Restyling	-
116	VA9748-9005B	Painted 45ah Battery Seat	-
117	VA9754-9005B	Painted Door For Battery Access Serie P	-
118	SM5Z001946	Support Control Panel P12000 Restyling V2 (assembly)	-
119	VM5C805501-9005B	Leg Of Baseframe P6000s2 (painted)	-
200	G040730	Pipe Oil Drain 3/8 " - 3/8" L400	-
201	G089126	Battery 45ah 12v With Acid - 216x133x223	-
202	SA10002904	Fuel Tank Petrol/diesel 24 Liters	-
203	G080215	Fuel Cap Without Key - Vent Holes On Top	-
204	G085104	Quarter Turn Fuel Valve	-
205	G040446	Cover Support Zinced Plate	-
206	G040402	Lever Lock Reg. (padlock) Zn	-
501	SA50023005	P9000 Silenced Muffler	-



Position	Part Number	Description	Notes
300	SM5P909019	Control Panel Mcp P Restyling 13a 3p Iii Conex. Y 50hz 12v + Conn + Dpp	-
301	G002458	Label For Control Panel P6000/9000 Three Phase + Conn + Dpp	-
302	G070312	Ip55 Cover 8 Modules Din	-
303	G071021	Female Connector 14contacts Com. Dist.	-
304	G071091	Sealing Cap With Bead Chain - 14 Poles Connector	-
305	G071126	Panel Mount Socket 3p+n+t 400v 16a Ip44 Cee	-
306	G071121	Panel Mount Socket 2p+t 230v 16a Ip44 Cee	-
307	G071131	Socket Subassembly, Power Supply	-
308	G077009	Digital Multimeter Single Phase For Panel	-
309	G034904	Cage Nut M6 Galv. (th. 1.8-2.6 8.3x8.3)	-
310	GA9751	New Sheetmetal Panel For P Series	-
312	G079583	Rele' 12v 1 30/20a 12.040.000	-
313	G075310	Starter Key Switch	-
314	G075512	Differential Switch 4p 25a 0.03a	-
315	G075519	Magnetohermic Switch 3p 13a 4.5ka	-
319	G76926	Key Block Body For Starter Switch	-



Position	Part Number	Description	Notes
1	PAN1GGA10010	Rete Di Protezione	-
3	PAN00051	Drive End Bracket	-
4	PAN1VGA10003	Fan	-
7	PAN00018	Cover T100	-
12	G010401	Bearing 6204 2rs (20-47-14)	-
15	PAN00030	Complete Brushholder	-
16	PAN7COG0502	-	-
19	PAN1GGA10011	Blind Cover Alt. T100	-
22	PAN1GGA10011	Blind Cover Alt. T100	-
35	PANKPD25A02	Ponte Raddrizzatore Monofase 15°-200v	-
47	PAN00050	Terminal Block	-
100	PANKVR0860T	Mr100lh Voltage Governor	-
154	PAN00004	Filter Emc Tr	-
400	ANT10000EI0000Y	Alternator Tr100lb 10/230/400/50/3000 - Cone 30 - Open Blind Cover With Hole - Avr - Nsm	-





Position	Part Number	Description	Notes
500	ELP126CI5AZ	Engine Lombardini 25Id330.2 Air_3000_mech_cone 30-_12vdc__ver/sp:k6c3041-1	-
501	PEL00042	Air Filter	-
503	P3KI00299	Kit Pramac Power	-
504	P3KI00318	Kit Manutenzione P9000-wp230 25Id330	-
510	PER00288	Oil Filter	-
514	G080101	Fuel Filter Fb1-01544 5u	-