



## Spare Parts Catalogue

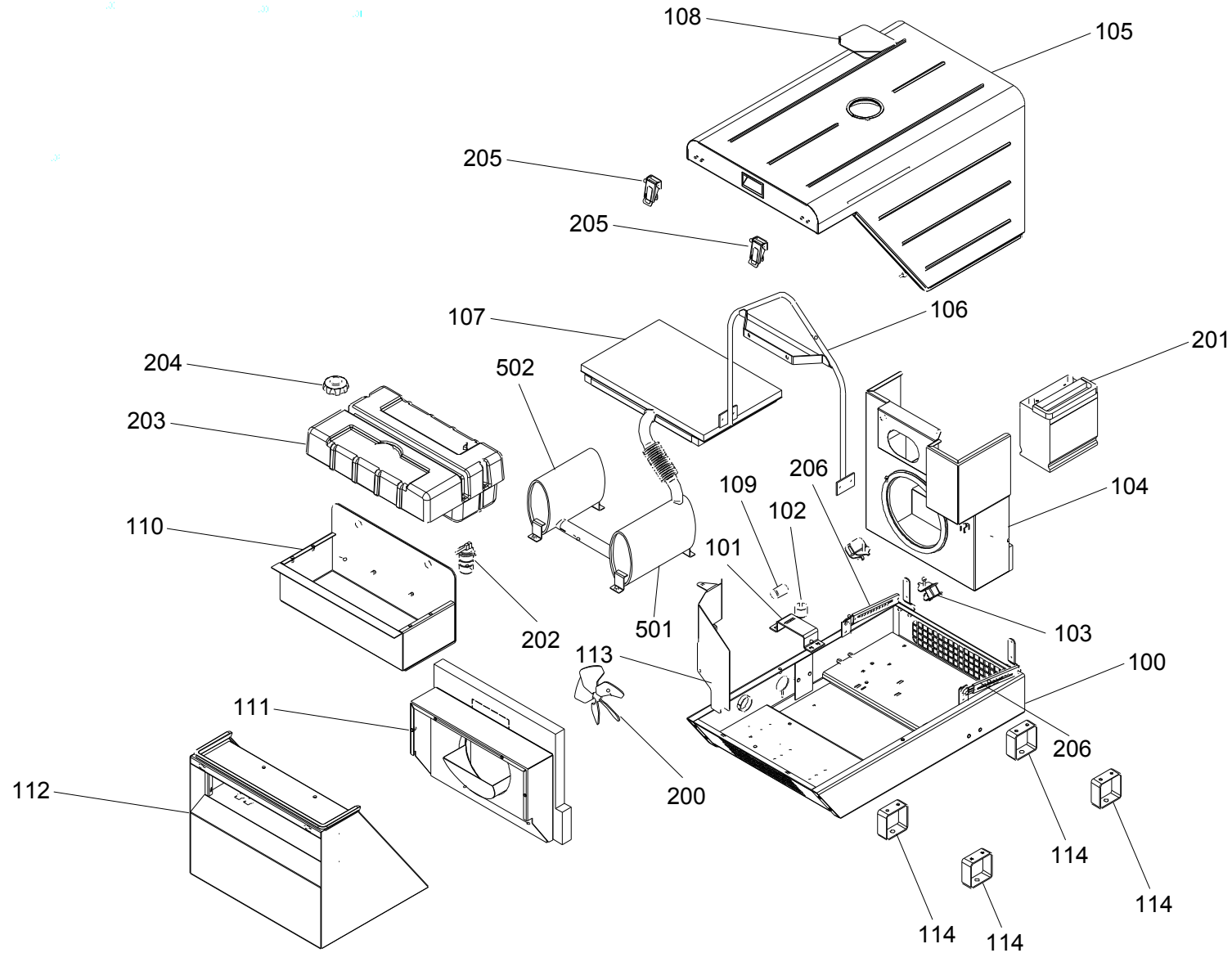
# P6000-2013-MONOPHASE-

Power systems | Generating sets

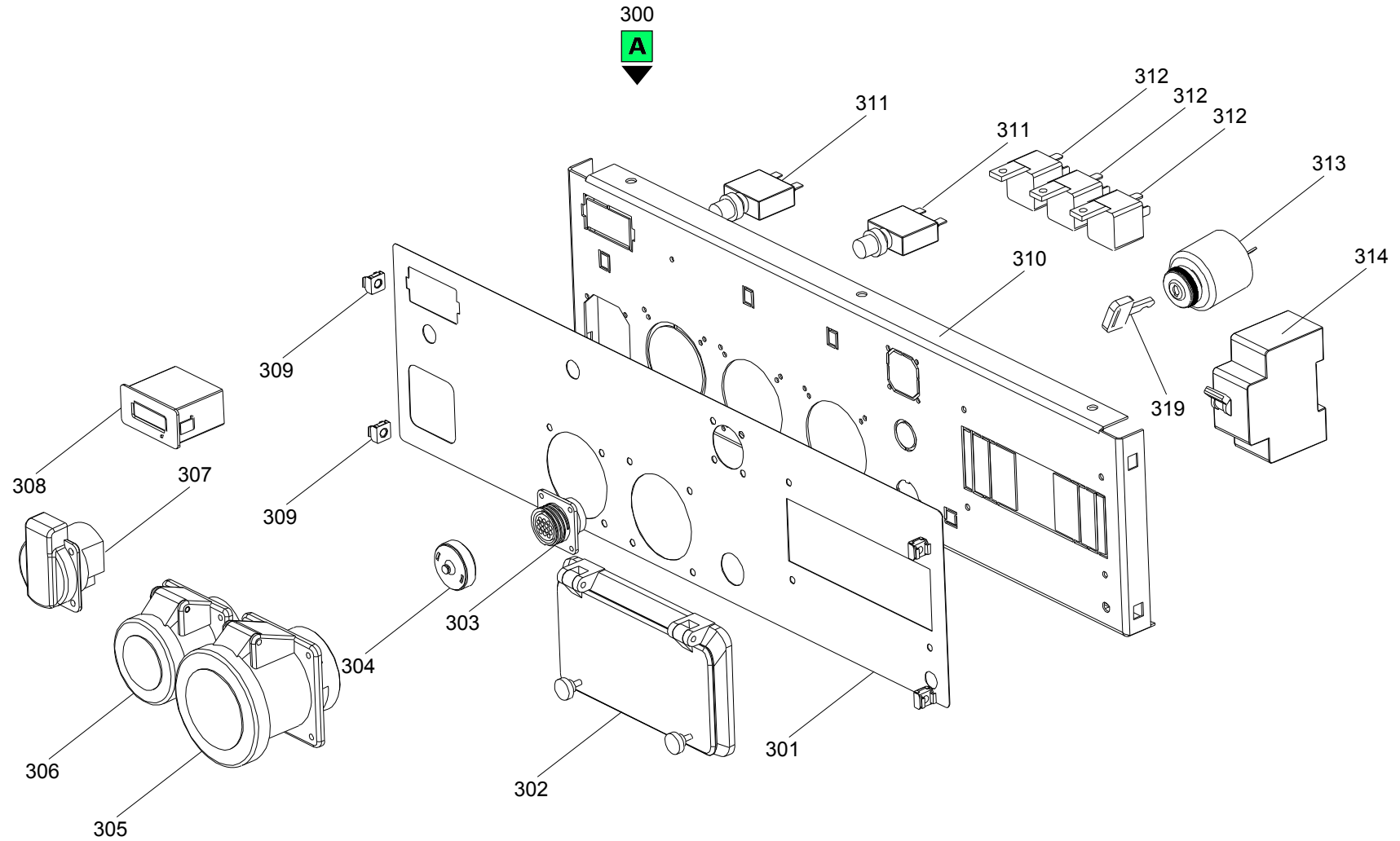
Valid for machine code: PF482SYAY01

Revision: 0 (7/2013)

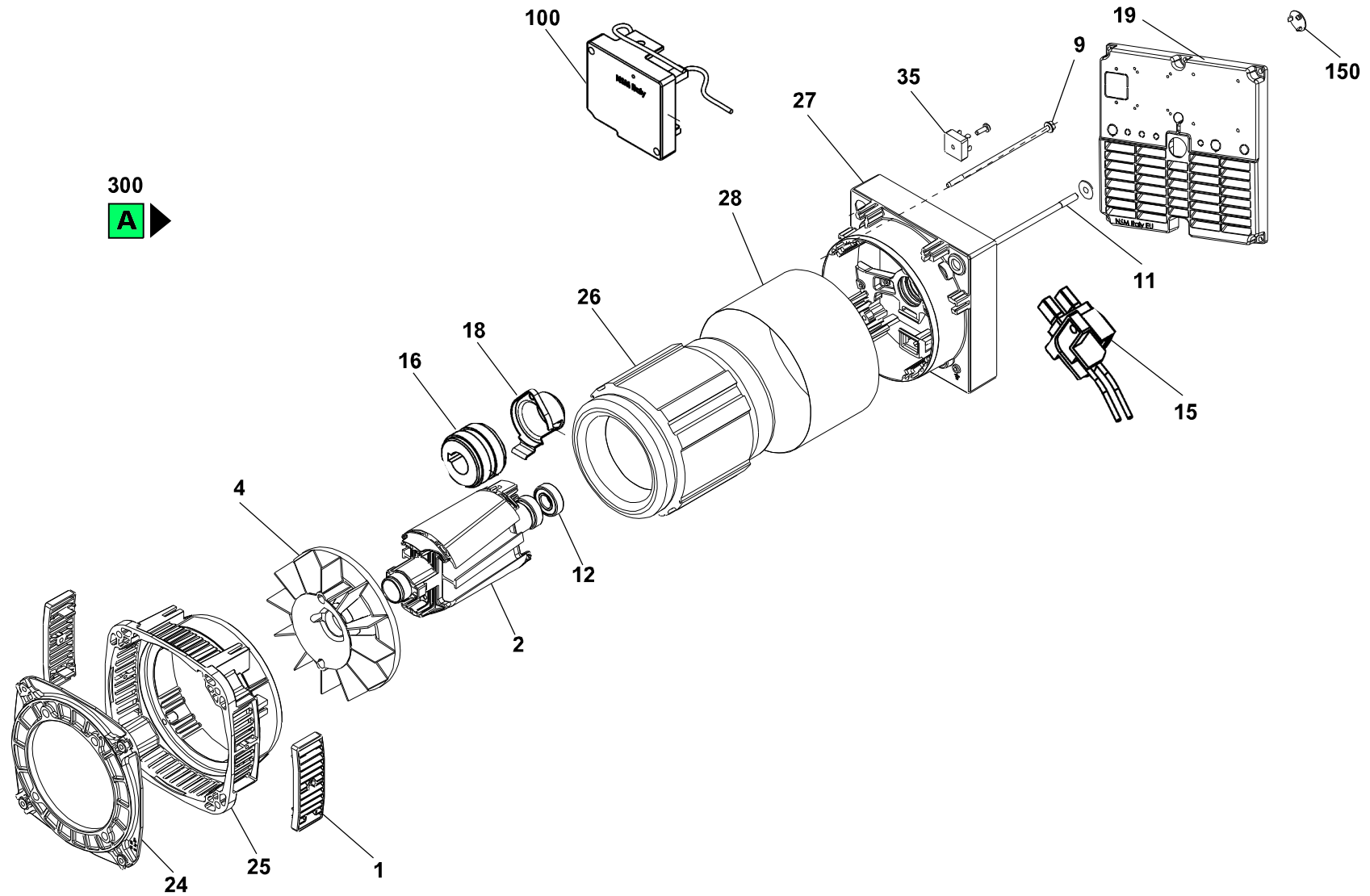
Copyright 2016 Pramac Group, All Rights Reserved.



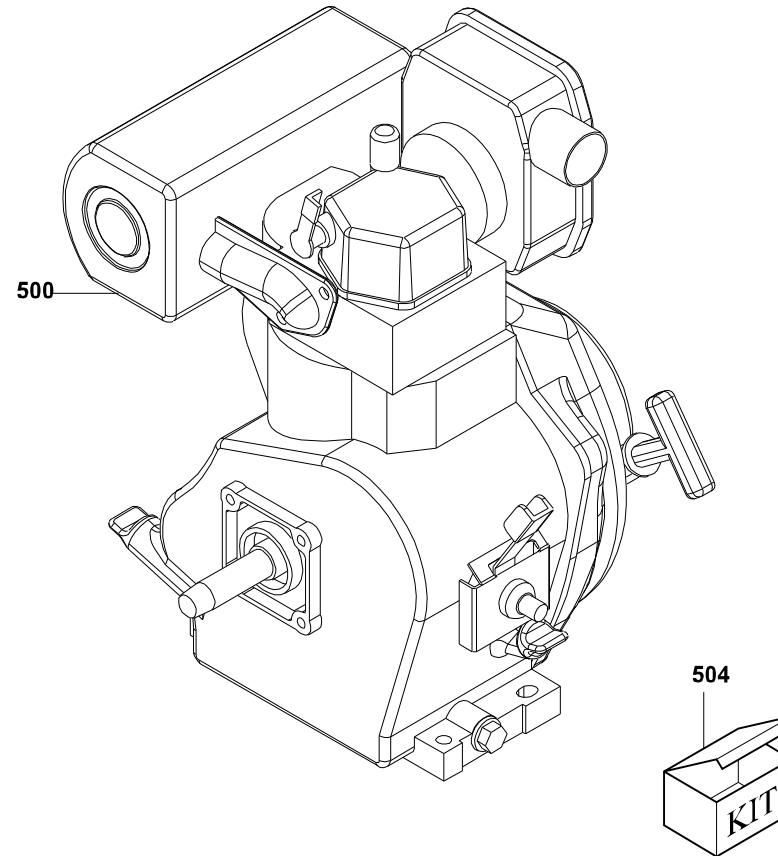
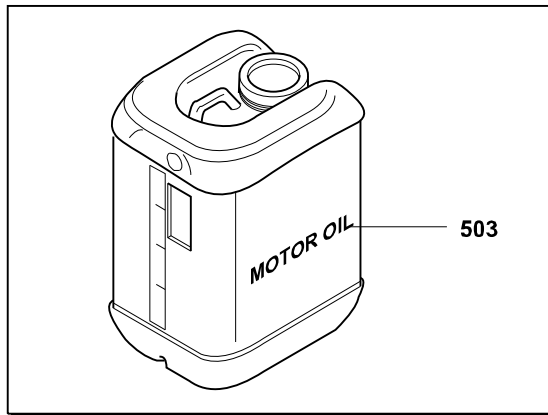
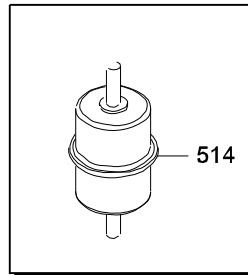
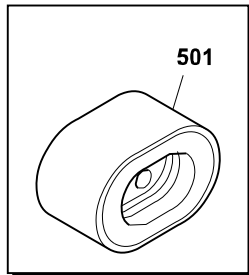
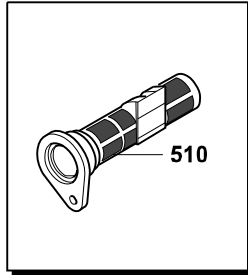
Position	Part Number	Description	Notes
100	SM5C904012	Complete Baseframe P6000/9000 Restyling V2 (assembled)	-
101	VM1109-9005B	Soporte Alternador Linz Para P6000 Restyling (pintada)	-
102	▲ G052118	Use G052183	Valid for products manufactured until 23/09/2014
	▲ G052183	Silent-block Cil. Mf-40x30-m8x23-m8-45	Valid for products manufactured from 23/09/2014
103	G052902	Silent-block Angolare Mm-m8x33-m8x12 Sh60	-
104	SA50023002	Separador Motor P6000 Restyling Yanmar L100n (forrado)	-
105	SM5Z001947	Canopy P6000 Restyling V2 (assembly Ral Pramacb)	-
106	VM5E904004-9005B	Lifting Baseframe P6000 Rev.01 Restyling (painted)	-
107	SM5Z001897	Tubuladura Divisoria En Carrocería P6000 Restyling Pintada Ral 9005b	-
108	VA9475-9005B	Coverage Buttonhole Of Lifting P6000s Paint Black	-
109	GA9773	Fan Support Alternator Nsm - P6000 Mf-tf, P6000 Tf Avr	-
110	SM5Z002305	Fuel Tank Support P6000 Restyling	-
111	SM5Z002303	Alternator Spacer P6000 Restyling (complete)	-
112	SM5Z001945	Electric Panel Support P6000 Restyling V2	-
113	VM1747-9005B	Hot Air Engine Baffle Yanmar L100n P6000 Restyling Painted Ral 9005b	-
114	VM5C805501-9005B	Leg Of Baseframe P6000s2 (painted)	-
200	G074623	Alt. Fan Elco Ø200>34°	-
201	▲ G089019	Battery 45ah With Acid	Valid for products manufactured until 28/10/2013
	▲ G089126	Battery 45ah 12v With Acid - 216x133x223	Valid for products manufactured from 28/10/2013
202	G080118	Fuel Filter With Air Drain Screws	-
203	SA10002904	Fuel Tank Petrol/diesel 24 Liters	-
204	G080215	Fuel Cap Without Key - Vent Holes On Top	-
205	G040402	Lever Lock Reg. (padlock) Zn	-
206	G040446	Cover Support Zinced Plate	-
501	SA50023916	Muffler P6000 Silencer N1	-
502	SA50023917	Muffler P6000 Silencer N2	-
503	GA6541	Pipe Connection For Muffler P6000	-



Position	Part Number	Description	Notes
300	SM5P906000	Control Panel Mcp P Restyling 20a 2p I Conex. 1ph 50hz 12v + Conn + Dpp	-
301	G002456	Label For Control Panel P6000/9000 Single Phase + Conn + Dpp	-
302	G070312	Ip55 Cover 8 Modules Din	-
303	G071021	Female Connector 14contacts Com. Dist.	-
304	G071091	Sealing Cap With Bead Chain - 14 Poles Connector	-
305	G071136	Socket 2p+t 230v 32a Ip44 Cee	-
306	G071121	Panel Mount Socket 2p+t 230v 16a Ip44 Cee	-
307	G071131	Socket Subassembly, Power Supply	-
308	G077009	Digital Multimeter Single Phase For Panel	-
309	G034904	Cage Nut M6 Galv. (th. 1.8-2.6 8.3x8.3)	-
310	GA9751	New Sheetmetal Panel For P Series	-
311	G075533	Switch Us 15 A 250v	-
312	G079583	Rele' 12v 1 30/20a 12.040.000	-
313	G075310	Starter Key Switch	-
314	G075765	Circ. Breaker 2p (1p+n) 20a 230v 0.03a 4.5ka	-
319	G76926	Key Block Body For Starter Switch	-



Position	Part Number	Description	Notes
4	PAN1VGA10003	Fan	-
12	G10405	Bearing 6203 2rs	-
15	PAN3PSM0408SR	Portaspazzole Completo Kr100/sr100	-
16	PAN7COG040202	Manifold Kr100/sr100	-
18	PAN1GGA10017	Copri Collettore Kr100/sr100	-
19	PAN1GGA10011	Blind Cover Alt. T100	-
24	PAN3FLA10010	Flangia Accoppiamento J609b C22-25,4 Se100	-
25	PAN3SLA10019	-	-
27	PAN3SLA100164	Scudo Posteriore Kr100/sr100	-
35	PANKPD25A02	Ponte Raddrizzatore Monofase 15°-200v	-
100	PAN00005	Avr Kvr 0520	-
300	ANS6000EB0000Y	Alternator Kr100g 6/115/230/50/3000 J609b - Without Cover - Avr - Ip23 - Nsm	-





Position	Part Number	Description	Notes
500	EYP100CBY0U	Engine Yanmar L100 Air_3000_mech_j609b-_12vdc__ver/sp:l100n5el2c9hapr	-
501	PEY00002	Air Filter	-
503	P3KI00299	Kit Pramac Power	-
504	P3KI00011	Maintenance Kit E6000-p6000-e6500	-
510	PEY00005	Oil Filter	-
514	G080118	Fuel Filter With Air Drain Screws	-