

## Spare Parts Catalogue

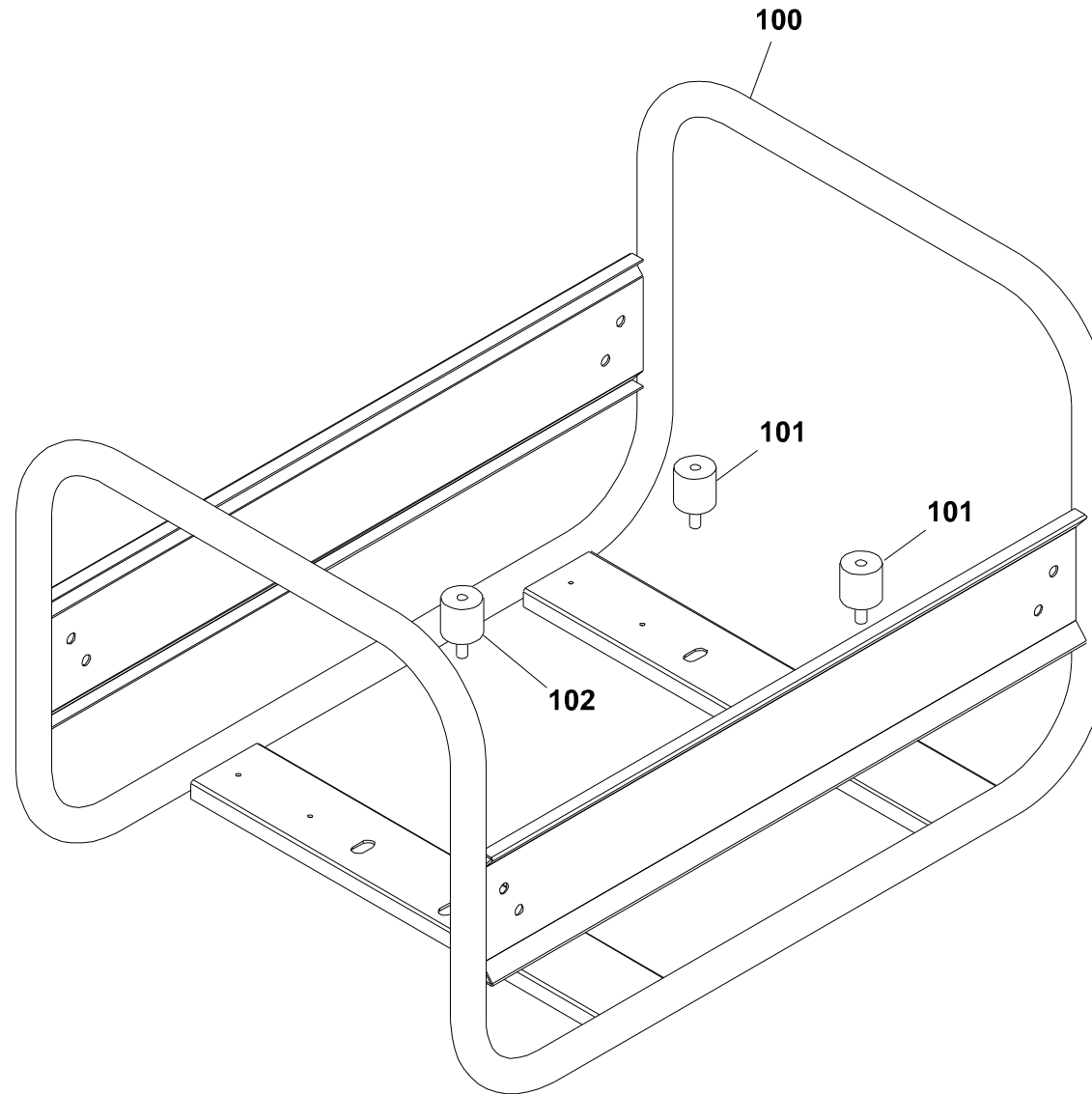
# E6000

Power systems | Generating sets

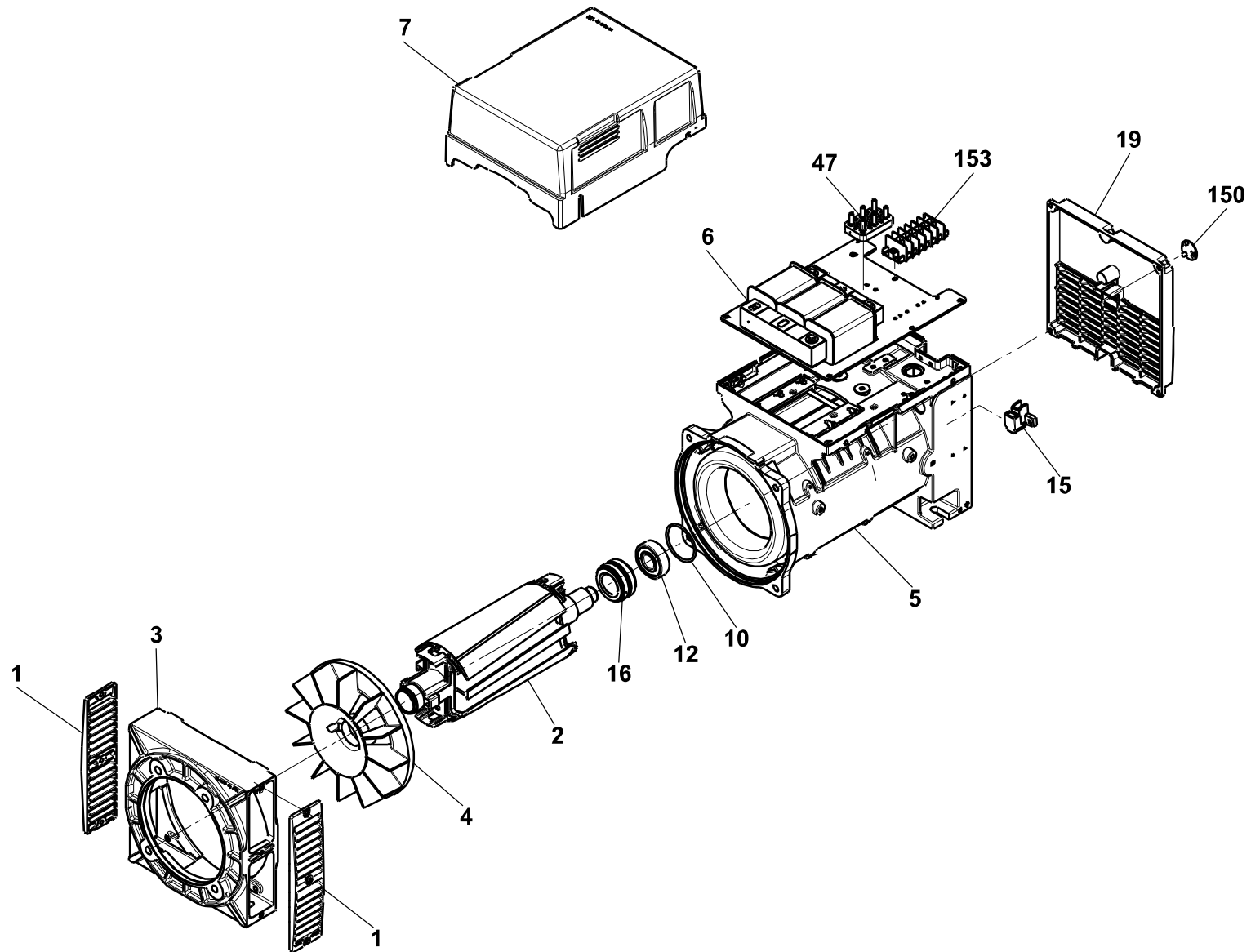
Valid for machine code: PA572TYH000

Revision: 0 (10/2006)

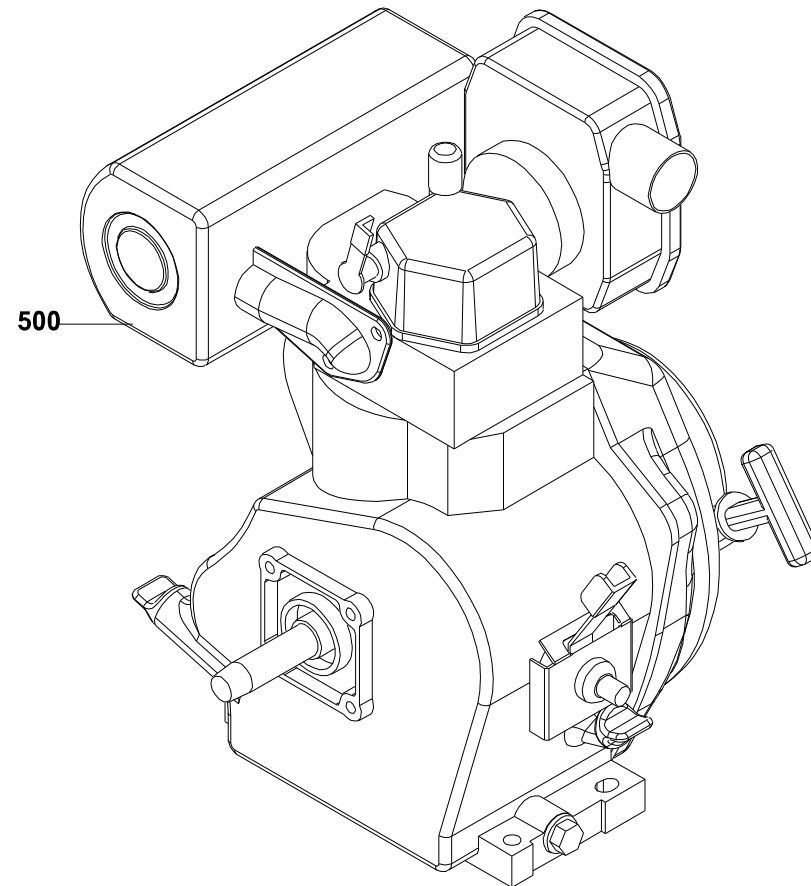
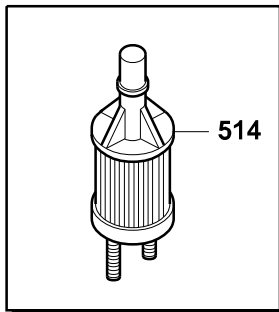
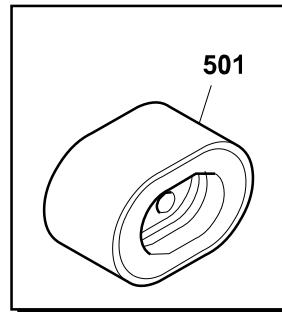
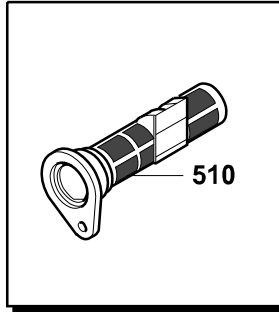
Copyright 2016 Pramac Group, All Rights Reserved.



Position	Part Number	Description	Notes
100	V72520001-PRAMACB	Compl. Frame E6000tyhdi Painted	-
101	G052119	Cylindric Silent-block Mf-30x20-m8x15-m8-45	-
102	G052116	Cylindric Silent-block Mf-40x45-m10x25-m10-45	-



Position	Part Number	Description	Notes
1	PAN1GGA10010	Rete Di Protezione	-
2	PAN5AA121737	Rotore Completo Ait	-
3	PAN3SLA10012	Scudo Anteriore J609	-
4	PAN1VGA10003	Fan	-
5	PAN5FA120730	Carcassa Completa Ait	-
6	PAN5CA12033	Compound Completo Ait	-
7	PAN3CT12H0912	Cuffia Sup+disgiuntore	-
10	G53518	Gasket Or 2187 D=1,78 De=47,35	-
12	G010409	Bearing 6204 2rs (20-47-14)	-
15	G70181	Brushes Set Eg3-a L=300	-
16	G70180	Slip Ring Alt. Eg 3-a	-
19	PAN3T12VX2	Cover T100 Mf+ Tf Cee	-
20	G75300	Circuit Breaker Thermal Trip. Basc.sp 3130-f130-p7t1 W02q 9-12-9 A W260	-
47	PAN7MTP060502	Morsettiera Utilizzazione	-
998	PAN3CT12H0912	Cuffia Sup+disgiuntore	-
999	AIT7000AB0EAGZ	Alt.t100sc 7.0/230/400/50/3000 J609b	-



Position	Part Number	Description	Notes
500	EYP100BBK7Z	Engine Yanmar L100 Air_3000_mech_j609b-_handstart__ver:l100ae-dgmsyc	-
501	PEY00002	Air Filter	-
510	PEY00005	Oil Filter	-
514	PEY00006	Gasoil Filter L100	-