

## Spare Parts Catalogue

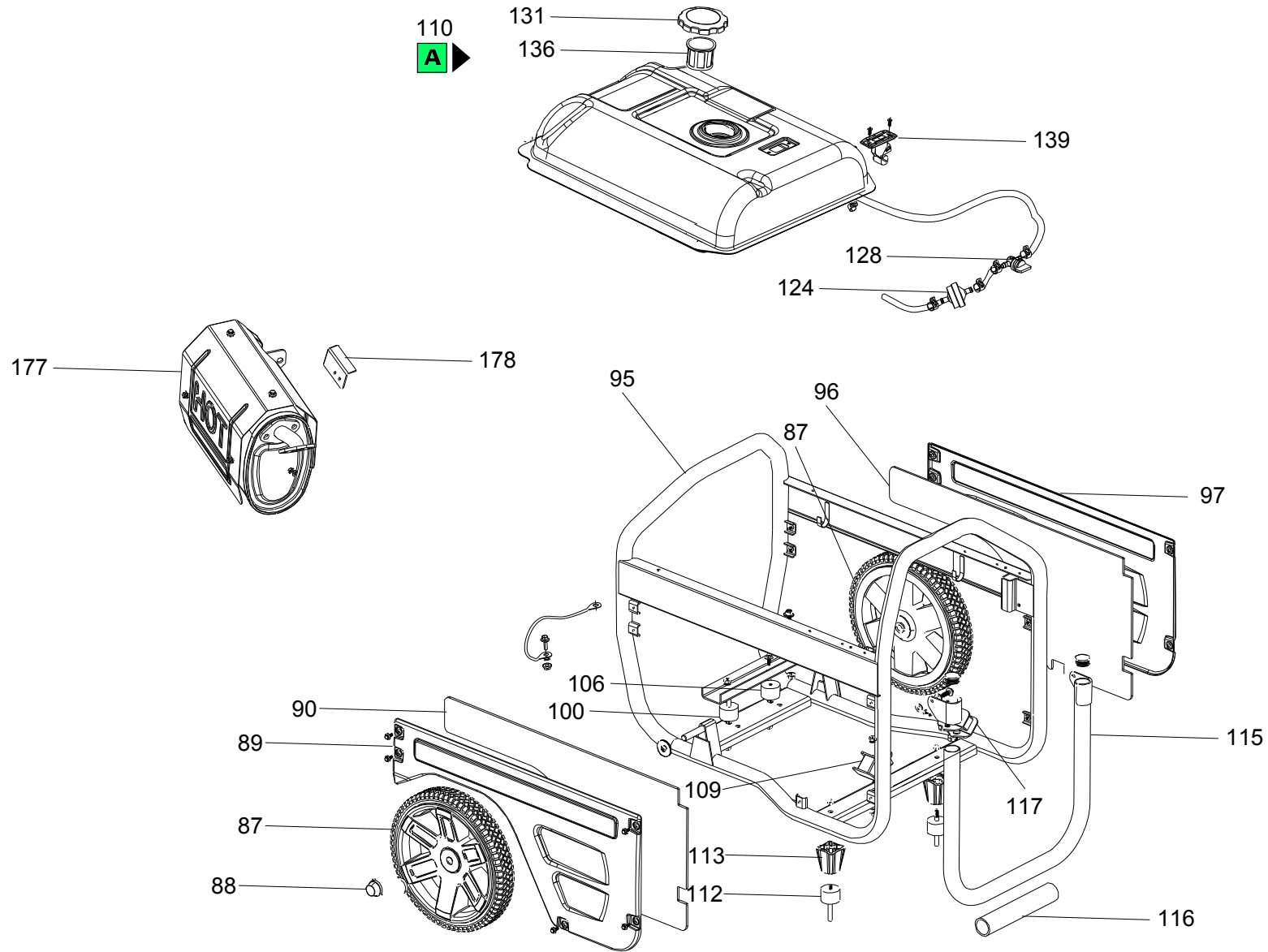
# PX4000

Power systems | Generating sets

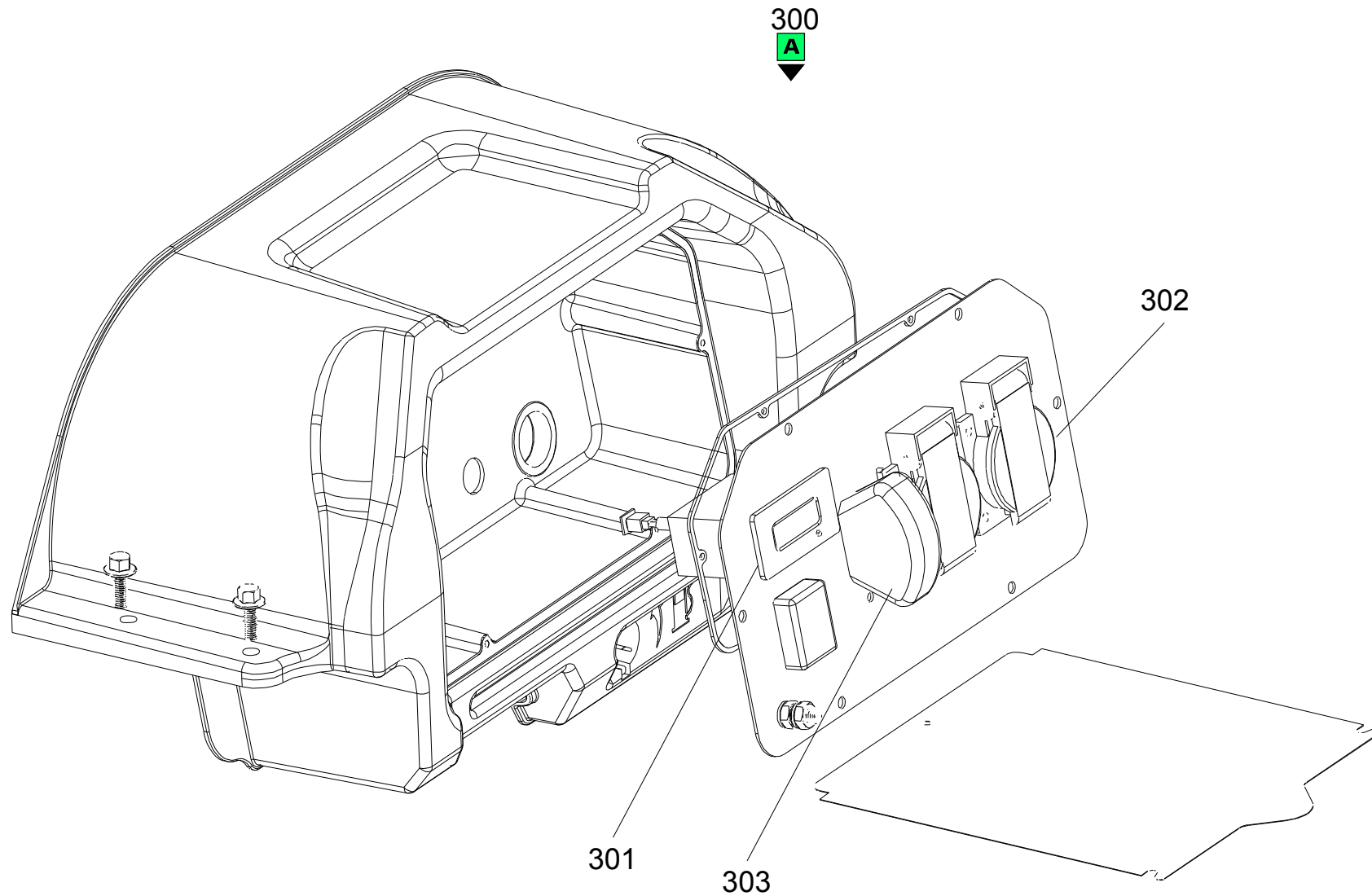
Valid for machine code: PK222SXI000

Revision: 0 (5/2013)

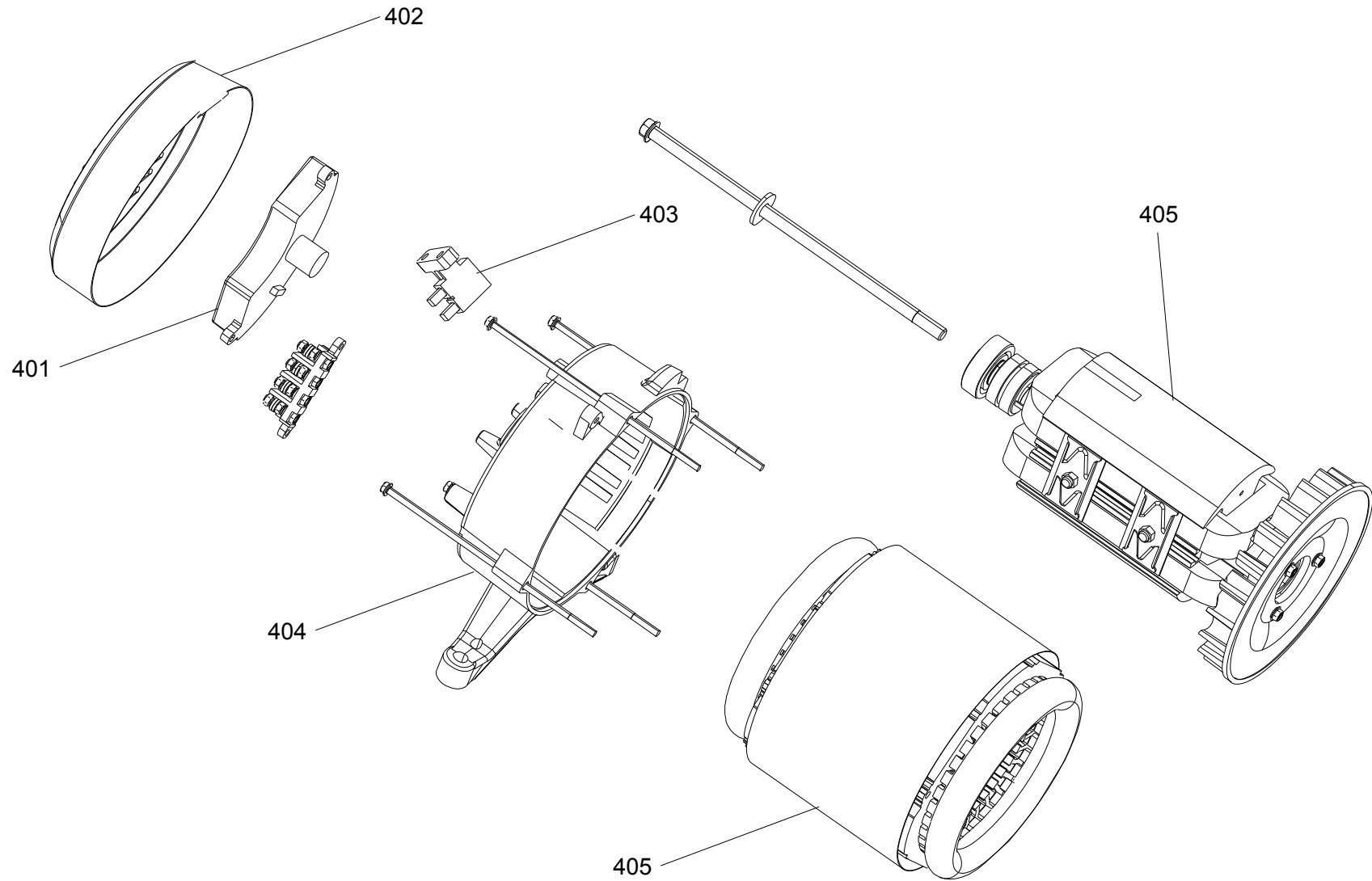
Copyright 2016 Pramac Group, All Rights Reserved.



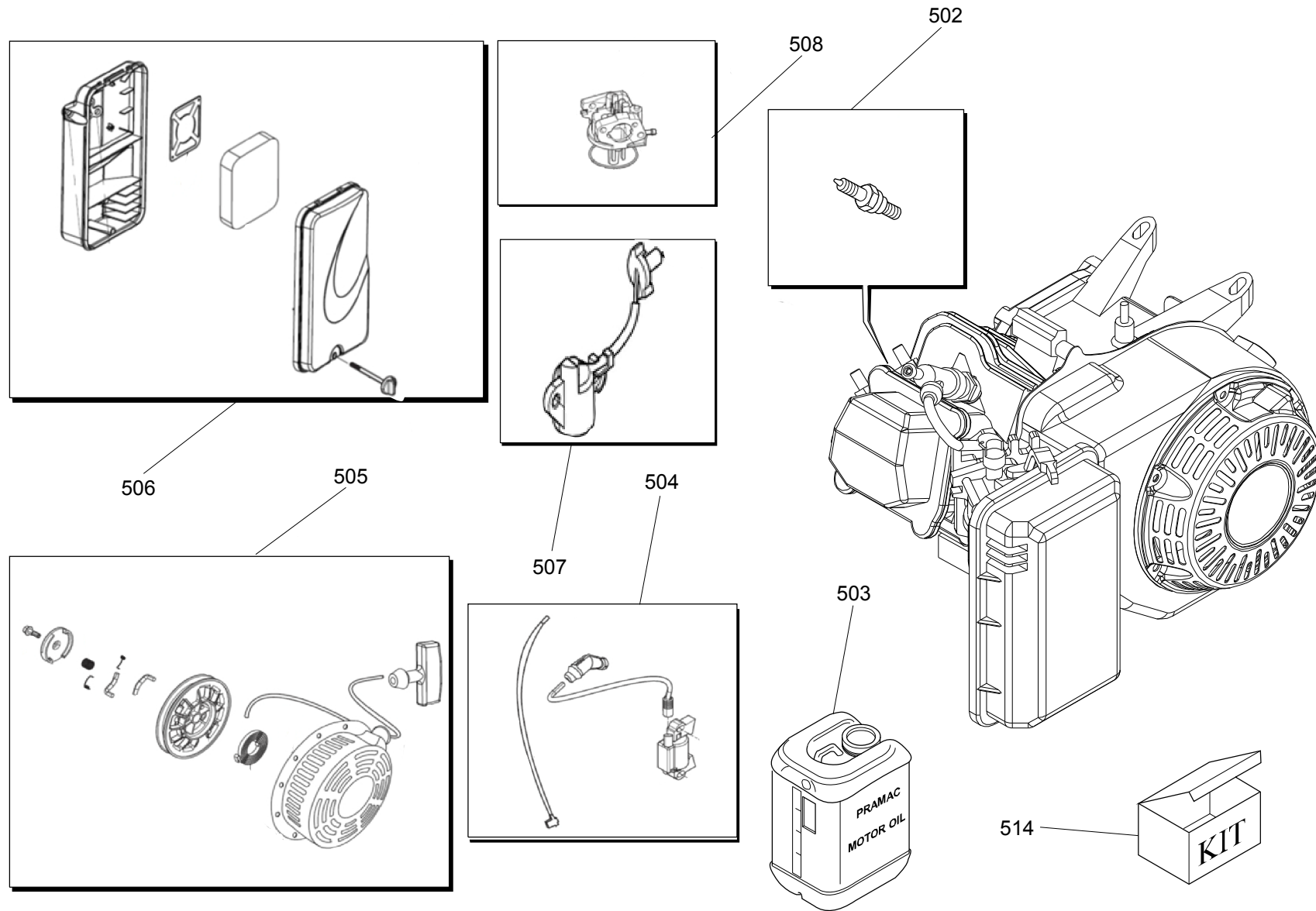
Position	Part Number	Description	Notes
87	PAA40018	Wheel Assy	-
88	PAA00122	Wheel Hub Cap 4000/5000/8000	-
89	PAA40015	Side Cover/muffler Side	-
90	PAA40014	Side Cover Foam/muffler Side	-
95	PAA4000F	Frame Assy Engine Green Pramac	-
96	PAA40016	Side Cover Foam/alternator Side	-
97	PAA40017	Side Cover/alternator Side	-
100	PAA40019	Silent Block 1 Stud Bolt	-
106	PAA40020	Silent Block 2/single Head Bolt /damping Glue	-
109	PAA40021	Silent Block A Engine	-
110	PAA40040	Tank, Fuel Assy	-
112	PAA10012	-	-
113	PAA10013	-	-
115	PAA40011	Handle Assy/pramac Green Orange Peeled	-
116	PAA40010	Handle Foam Sleeve	-
124	G080112	Gasoline Filter	-
128	PAA00145	Cock Assy, Fuel 4000/5000/8000	-
131	PAA00143	Cover, Fuel Tank 4000/5000/80000	-
136	PAA00142	Strainer?fuel 4000/5000/8000	-
139	PAA00146	Fuel Gauge Tank 4000/5000/8000	-
177	PAA40001	Muffler Assy.	-
178	PAA40001-1	-	-



Position	Part Number	Description	Notes
300	PAA40002	Panel Subassembly, Control	-
301	G077009	Digital Multimeter Single Phase For Panel	-
302	G071131	Socket Subassembly, Power Supply	-
303	PAA00148	Thermal Circuit Breaker 12a	-

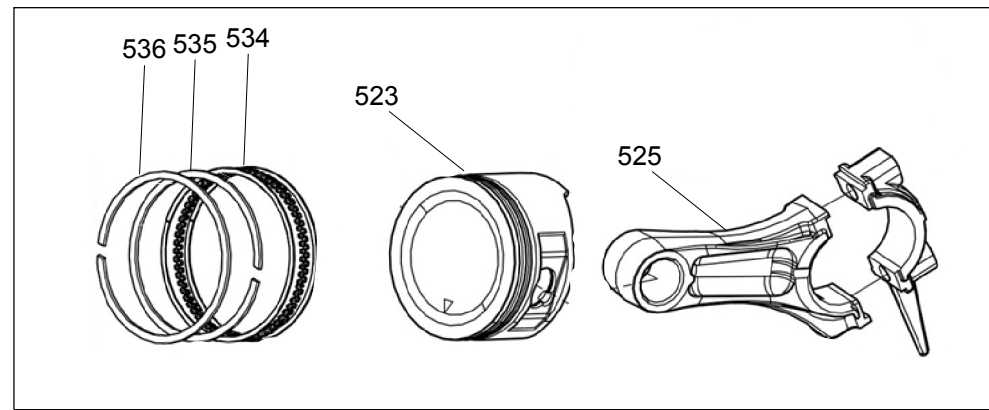
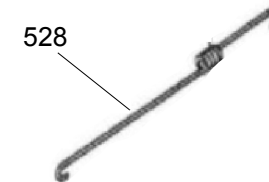
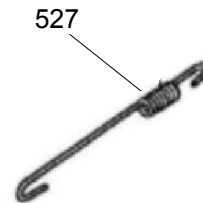
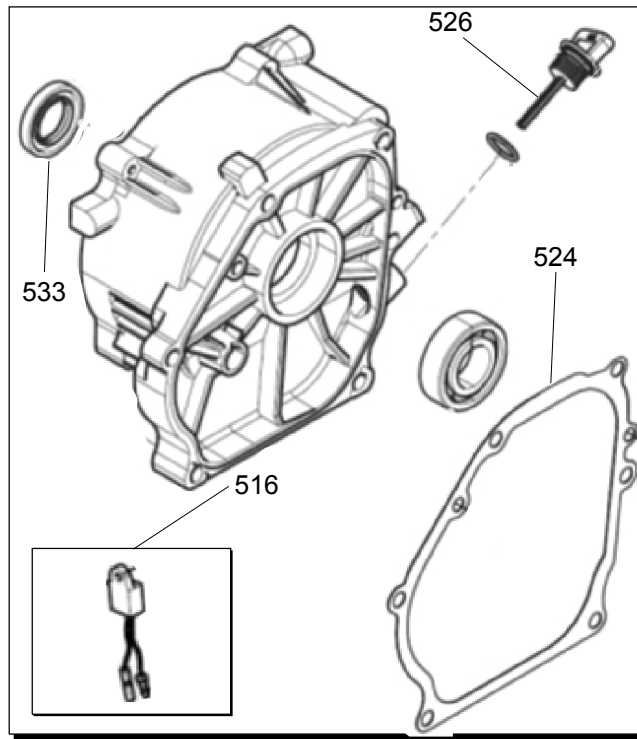
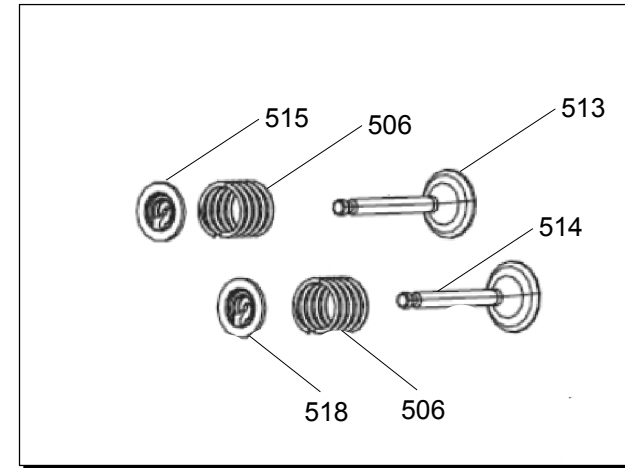
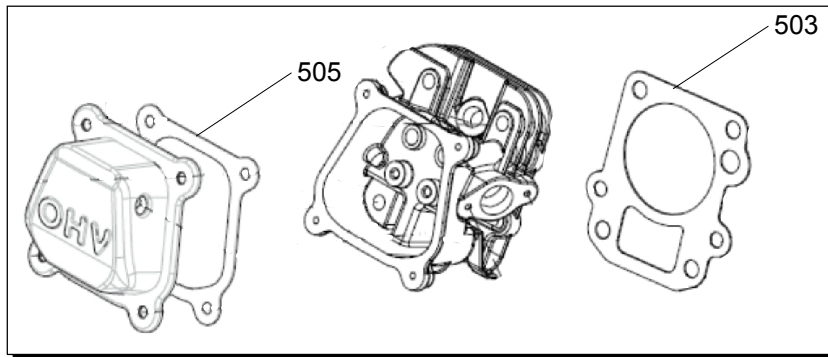


Position	Part Number	Description	Notes
401	PAA40004	Regulator, Voltage	-
402	PAA40006	Alternator End Cover	-
403	PAA40007	Brush Subassembly, Carbon	-
404	PAA40005	Bracket, Motor	-
405	PAA4000A	Complete Alternator	-





Position	Part Number	Description	Notes
502	PGT00506	Plug Spark 2800/3200/6250/7000	-
503	P3KI00299	Kit Pramac Power	-
504	PAA40525	Ignation Coil Assy	-
505	PAA40521	Starter Assy	-
506	PAA40506	Complete Air Filter Case	-
507	PAA40513	Sensor Engine Oil	-
508	PAA40505	Carburator Assy	-



Position	Part Number	Description	Notes
503	PAA40507	Gasket Cylinder Head	-
505	PAA40501	Cylinder Head Cover Seal	-
506	PAA40504	Spring Valve	-
513	PAA40509	Valve Intake	-
514	PAA40508	Valve Exhaust	-
515	PAA40502	Inlet Valve Spring Retainer	-
516	PAA40514	Protector Oil	-
518	PAA40503	Exhaust Valve Spring Retainer	-
523	PAA40511	Piston	-
525	PAA40512	Rod, Connecting	-
526	PAA40518	Oil Cap	-
527	PAA40516	Spring Throttle Valve	-
528	PAA40515	Spring Governor	-
533	PAA40520	Seal Oil	-
534	PAA40510	Ring Set, Oil Kit	-
535	PAA40510	Ring Set, Oil Kit	-
536	PAA40510	Ring Set, Oil Kit	-