

Spare Parts Catalogue

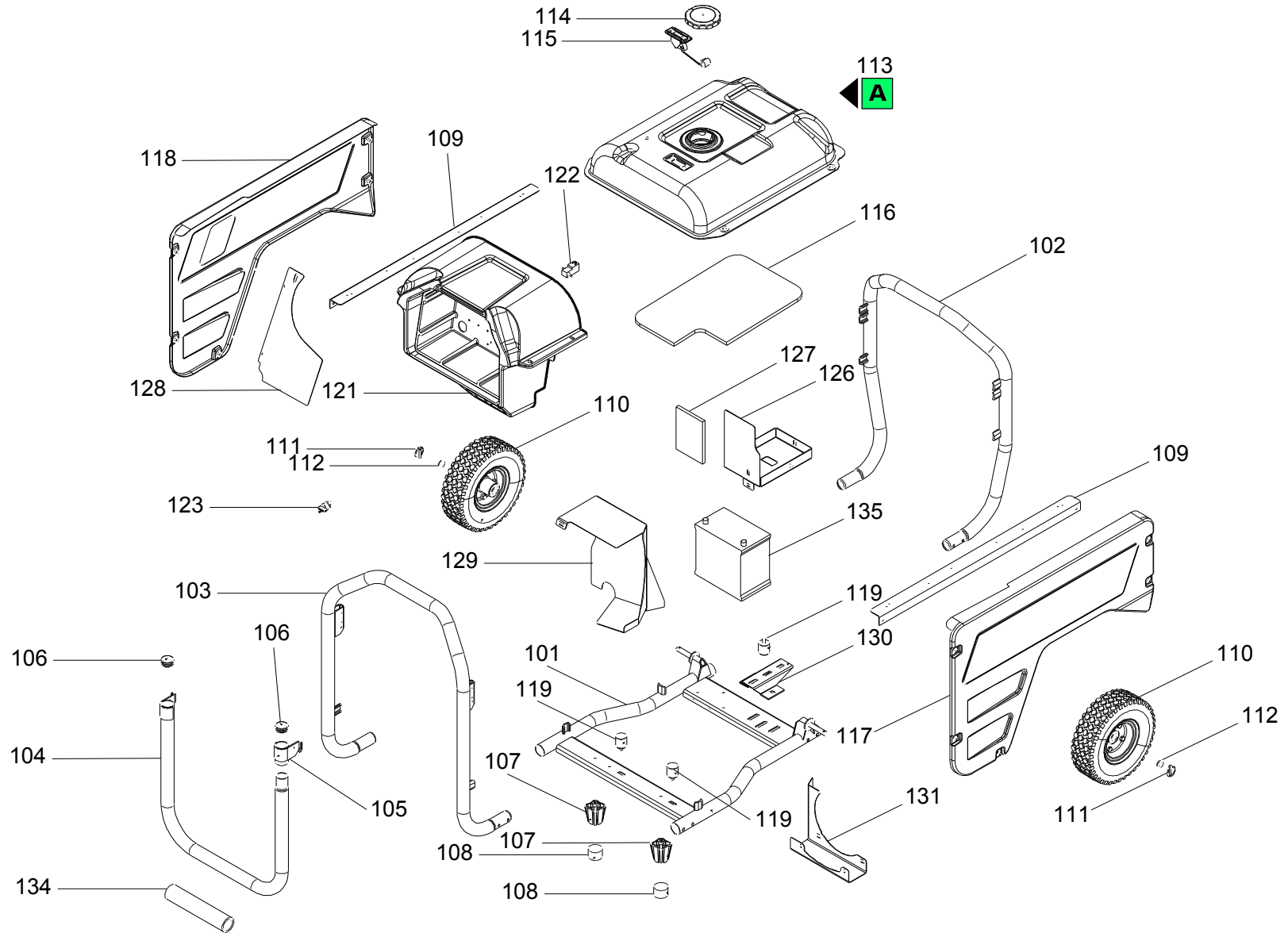
S5000-2015-MONOPHASE-

Power systems | Generating sets

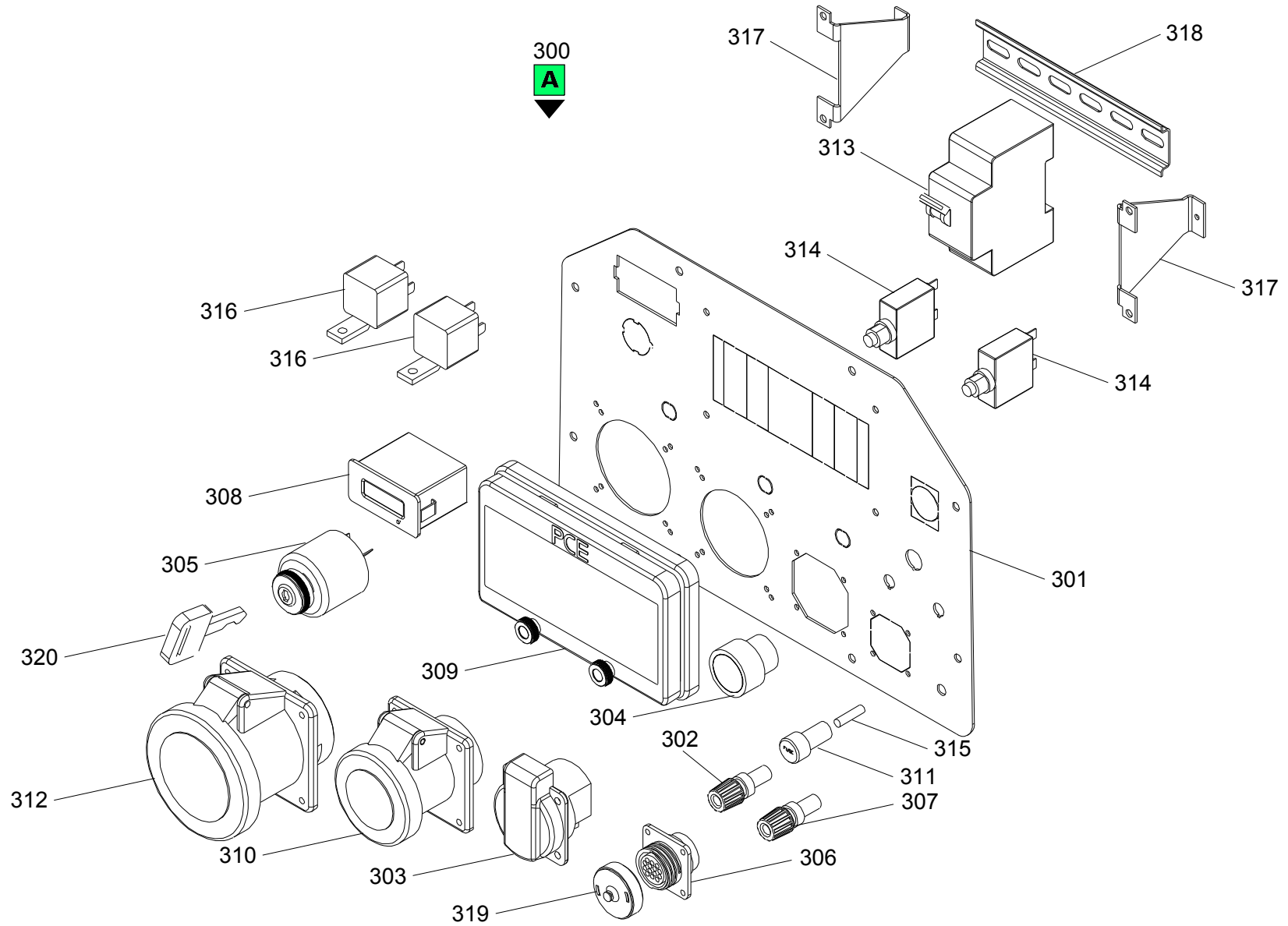
Valid for machine code: PD412SHBZ04

Revision: 0 (7/2015)

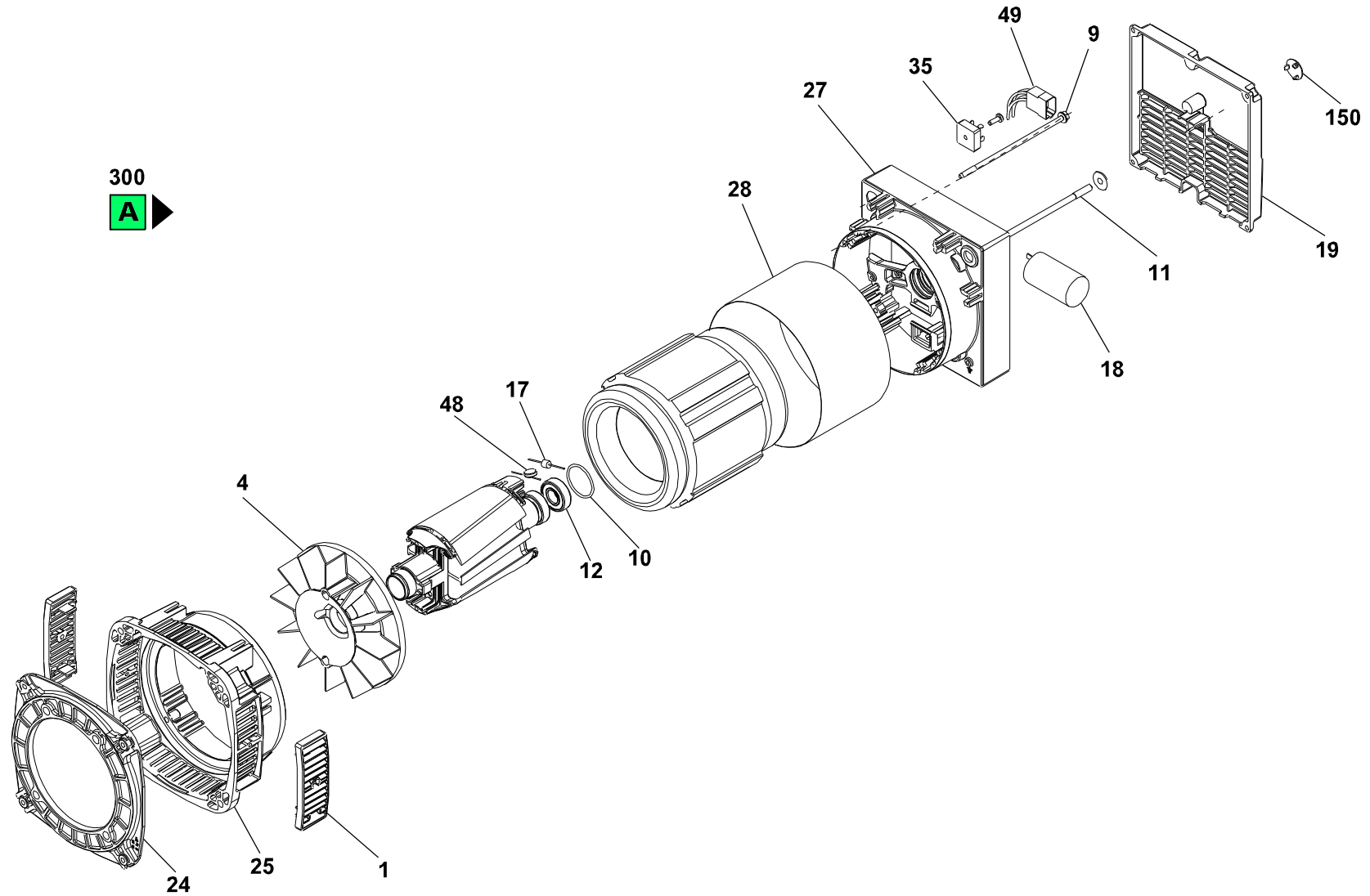
Copyright 2016 Pramac Group, All Rights Reserved.



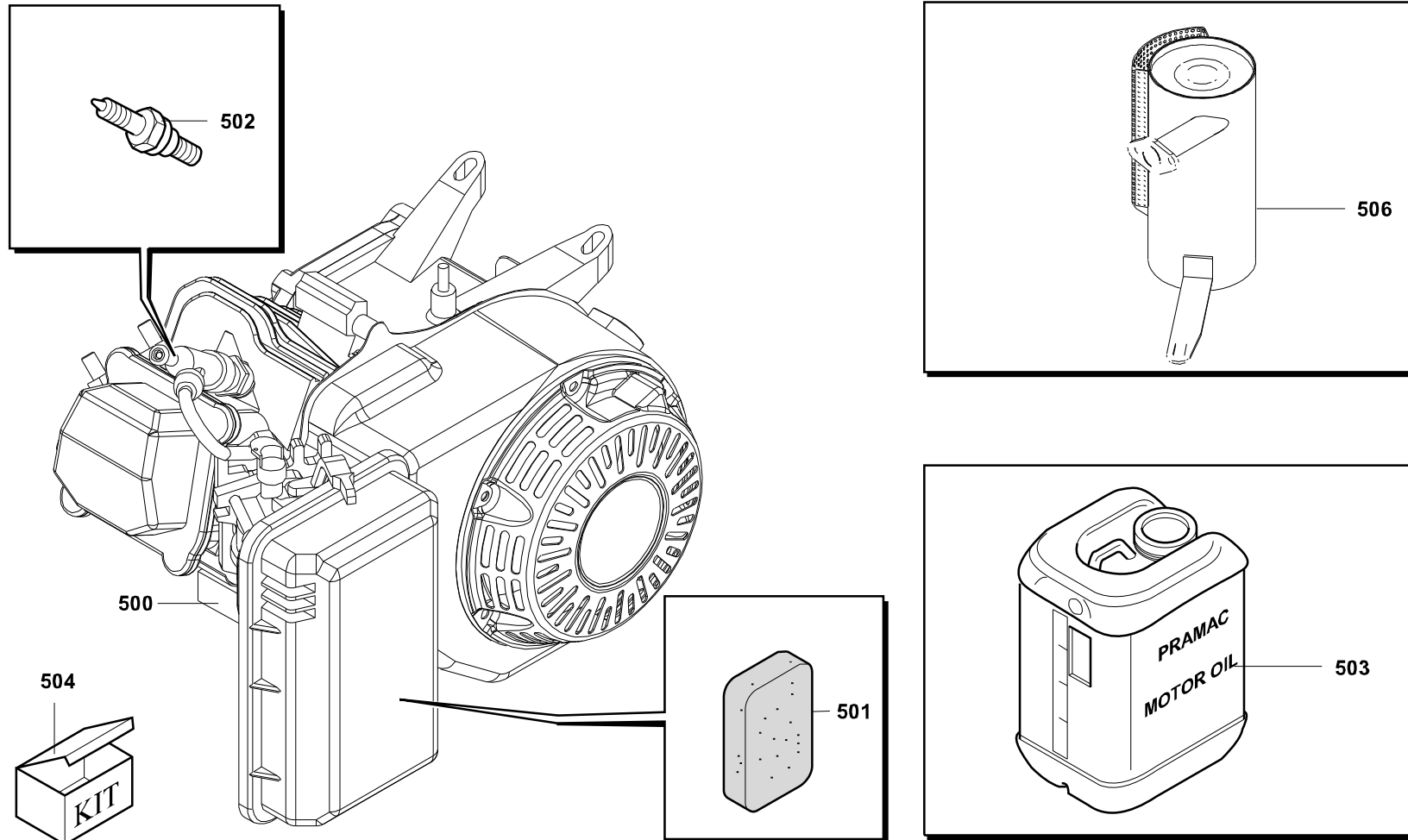
Position	Part Number	Description	Notes
101	VA40016062-9005B	Painted Central Part Of Multibody Frame	-
102	VA40016043-9005B	Painted Assembled Pipe Alternator, Multibody Frame	-
103	VA40016045-9005B	Painted Assembled Pipe Engine, Multibody Frame	-
104	VA40016049-9005B	Painted Assembled Carrying Handle	-
105	VA40016047-9005B	Painted Mobile Connection For Carrying Handle	-
106	G051519	Plastic Cap Ø 35 Black	-
107	GA7021	Feet Support +nut+screw	-
108	G052956	Rubber Feet 85 Sh-a	-
109	GA7032	Metal Sheet Support For 26,5 L Fuel Tank	-
110	G052444	Wheel 3,5"x10" Rubber Filled Flat Tread, Black Rim With Sphere Bearings	-
111	G44208	Bell Split Pin D4.5(p.n.115 Ama)	-
112	G041908	Plain Washer 6592 13x24 Zn	-
113	SA40016052	Fuel Tank With Supplements	-
114	G051521	Shell Fuel Cap For Metal Tank - Vent Holes On Top	-
115	G080307	Fuel Tank Gauge For Metal Tank Of 26,5 L	-
116	SA40021903	Termoisolante Protezione Serbatoio New S5000-s8000	-
117	VA40016700-PRAMACB	Painted Right For Multibody Frame	-
118	VA40016701-PRAMACB	Painted Left For Multibody Frame Painted	-
119	G052112	Cylindric Silent-block Mf-30x30-m8x15-m8-60	-
121	SA40016055	Control Panel Housing For S Series Restyling	-
122	G079016	Electrovalve Choke S5-8000 No Direct Action12vcc	-
123	G085104	Quarter Turn Fuel Valve	-
126	VA7076-9005B	Painted Battery Plate New Series S	-
127	SA40021903	Termoisolante Protezione Serbatoio New S5000-s8000	-
128	SA40016702	Carburator Conveyor	-
129	VA40016051-9005B	Muffler Conveyor Painted	-
130	GA7028	Alternator Support	-
131	SA40016703	K-kr100 Alternator Conveyor	-
134	G052008	Covering For Carrying Handle D.35 Mm	-
135	G089001	Battery 26ah 12v Sealed - 205x132x185.5	-
139	GA7076	Plate Battery New Series S	-



Position	Part Number	Description	Notes
300	SA40016966	New Control Panel S5000 Sp Conn + Dpp Es - Ge0496	-
301	GA7039	Metal Sheet For Control Panel New S Series	-
302	G070109	Battery Charger Red Screw Terminal	-
303	G071131	Socket Subassembly, Power Supply	-
304	G075171	Black Push Button Not Illuminated For 22 Hole With Lock Nut	-
305	G075310	Starter Key Switch	-
306	G071021	Female Connector 14contacts Com. Dist.	-
307	G070110	Battery Charger Black Screw Terminal	-
308	G077009	Digital Multimeter Single Phase For Panel	-
309	G070312	Ip55 Cover 8 Modules Din	-
310	G071121	Panel Mount Socket 2p+t 230v 16a Ip44 Cee	-
311	G070617	Panel Mount Fuse Holder 6a (5x20)	-
312	G071136	Socket 2p+t 230v 32a Ip44 Cee	-
313	G075765	Circ. Breaker 2p (1p+n) 20a 230v 0.03a 4.5ka	-
314	G075561	Thermal Circuit Breaker 16a 240v	-
315	G070616	Fuse 10a 5x20 Glass	-
316	G079583	Rele' 12v 1 30/20a 12.040.000	-
317	G070817	Sec. C Flask For Pr Bar	-
318	G070822	Omega Support 7,5x35	-
319	G071091	Sealing Cap With Bead Chain - 14 Poles Connector	-
320	G76926	Key Block Body For Starter Switch	-



Position	Part Number	Description	Notes
1	PAN1GGA10014	Alt. Grill	-
4	PAN1VGA10003	Fan	-
12	G010301	Bearing 6203 2z (17-40-12)	-
17	G69621	Battery Charger Diode 6a - 1200v	-
18	G70698	Capacitor 18mf	-
19	PAN1GGA10011	Blind Cover Alt. T100	-
24	PAN3FLA10010	Flangia Accoppiamento J609b C22-25,4 Se100	-
25	PAN3SLA10015	Scudo Anteriore Se100	-
27	PAN3SLA10016	Scudo Posteriore Se100	-
35	PANKPD25A02	Ponte Raddrizzatore Monofase 15°-200v	-
48	PANKVZ14L781	Varistore Ossido Di Zinco 14/780vdc	-
150	PAN7PRTS0232	Plastic Plug Es80	-
300	ANS4200CB000XZ	Alternator K100e 4,2/115/230/50/3000/12 J609b - Blind Cover - Battery Charger - Ip23 - Nsm	-



Position	Part Number	Description	Notes
500	EHA90CB21X	Engine Honda Gx270rt2 Vpe5 Air_3000_mech_j609b-_12vdc__ver/sp:	-
501	PEH17211-899-000	Air Filter Element	-
502	PEH98079-56846	Spark Plug Bpr6es	-
503	P3KI00299	Kit Pramac Power	-
504	P3KI00008	Maintenance Kit S5000-es5000	-
506	G92080	Muffler Gx 270	-