

Spare Parts Catalogue

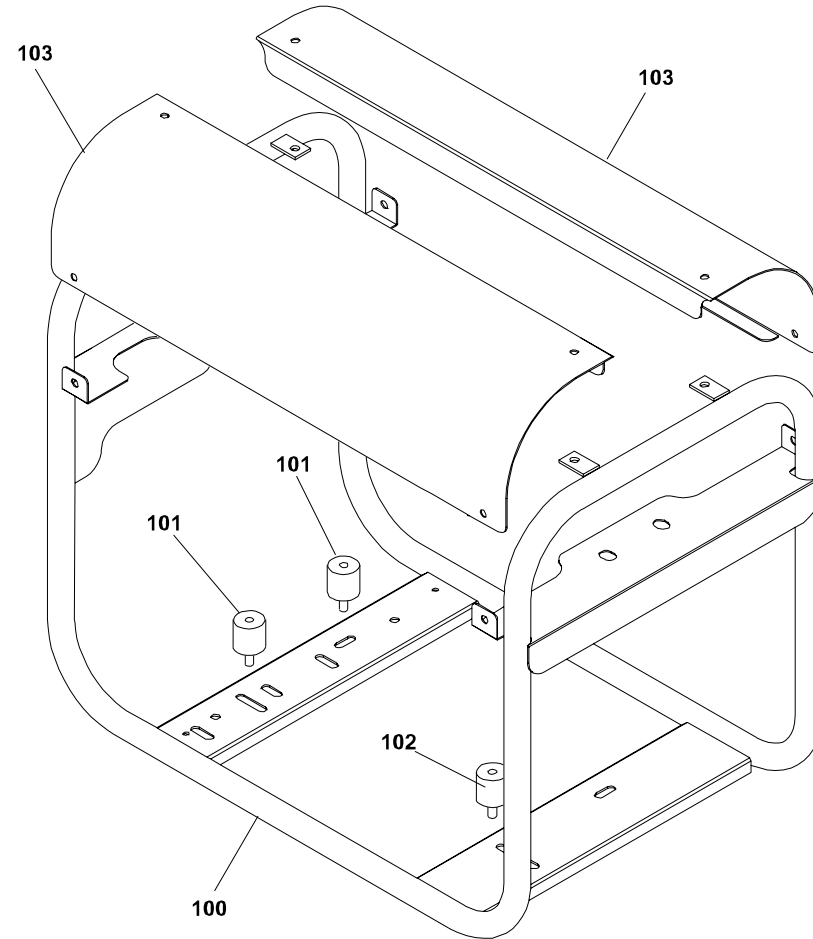
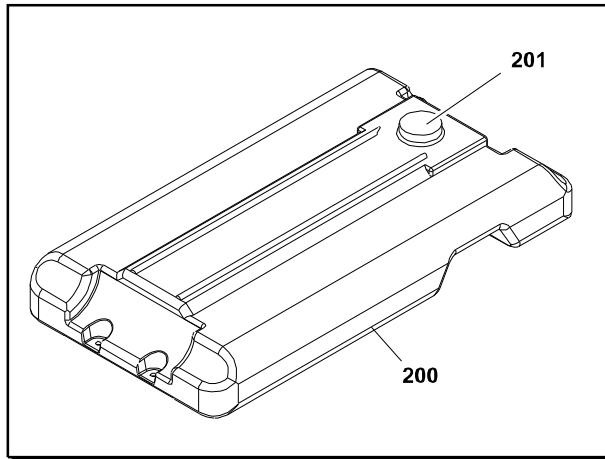
ES5000-MONOPHASE

Power systems | Generating sets

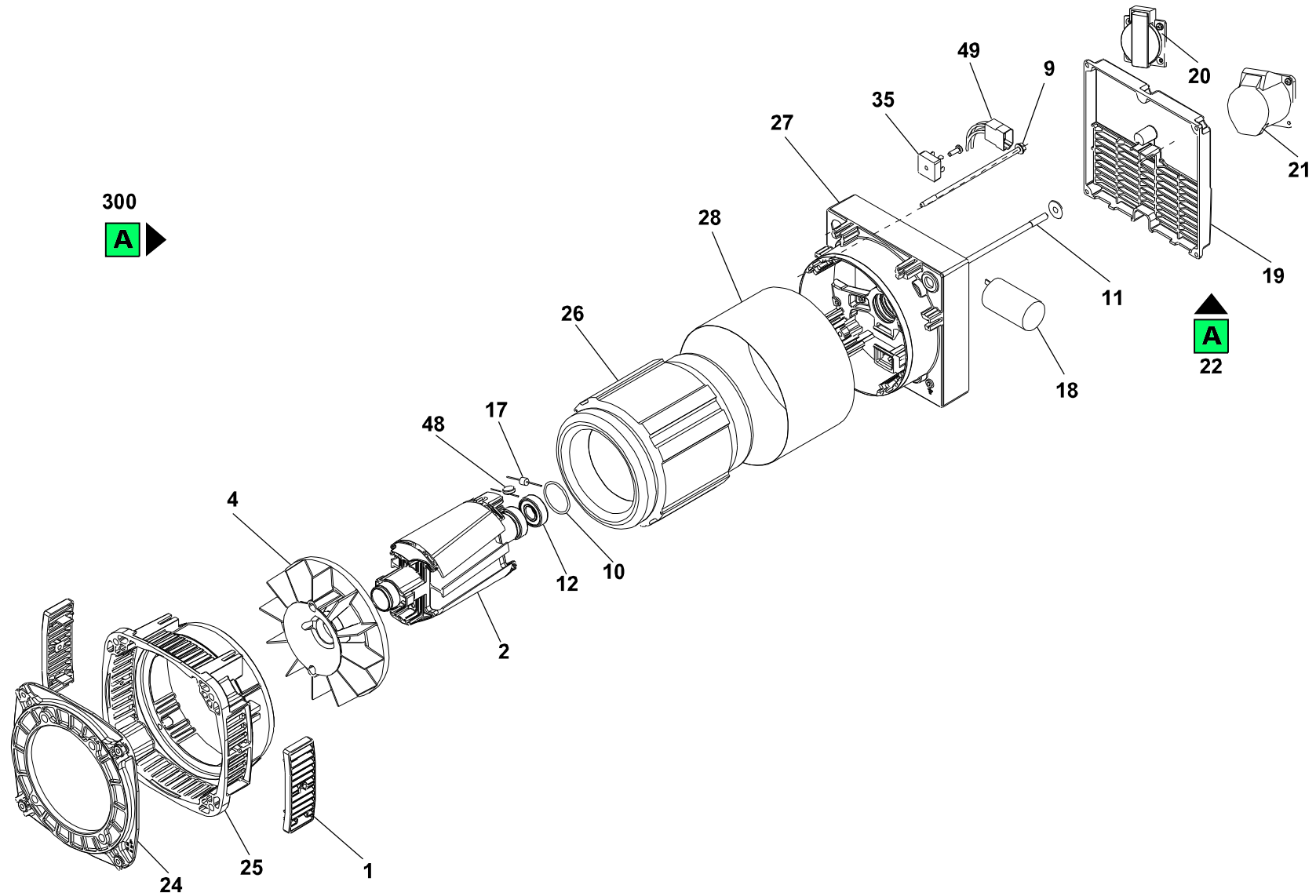
Valid for machine code: PE402SHI000

Revision: 0 (3/2007)

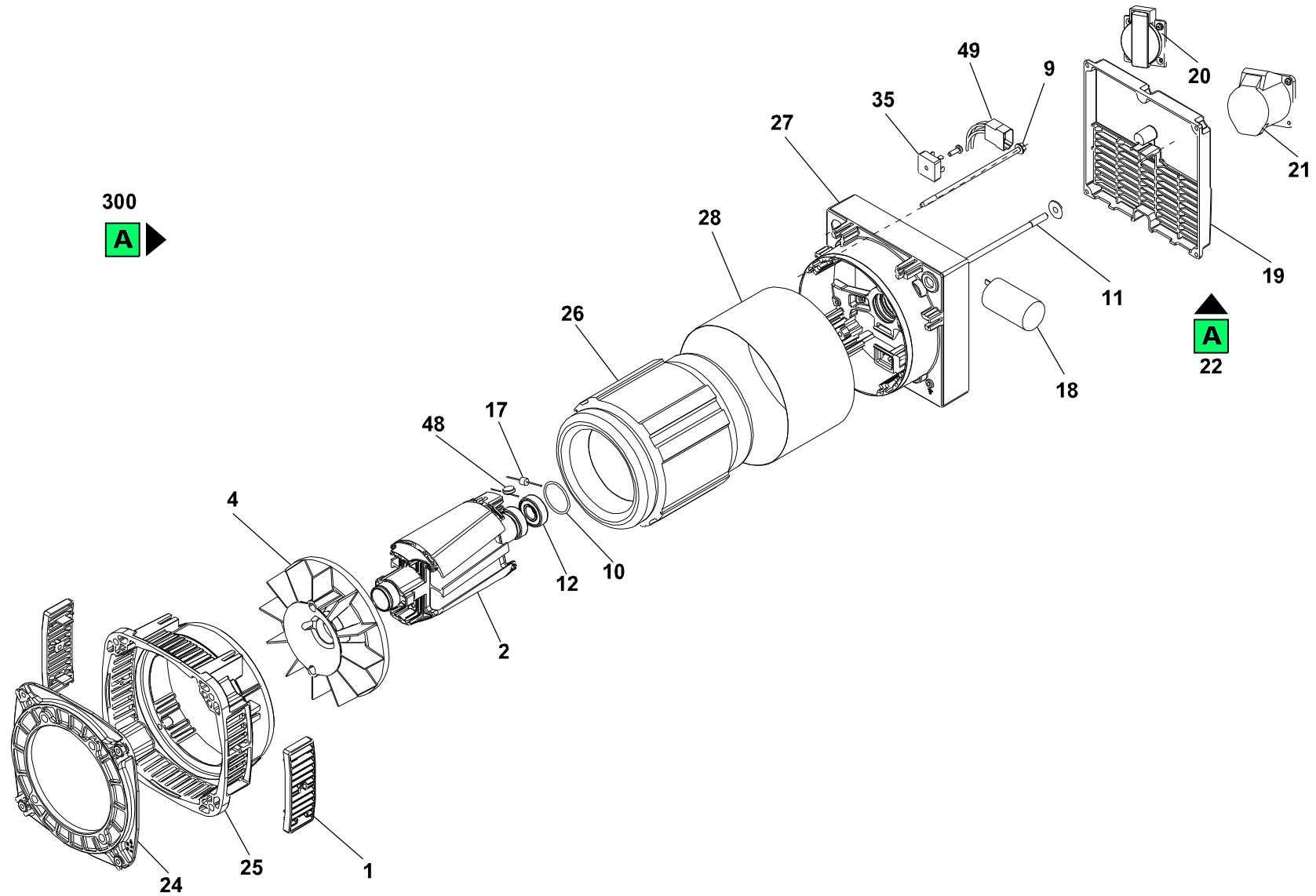
Copyright 2016 Pramac Group, All Rights Reserved.



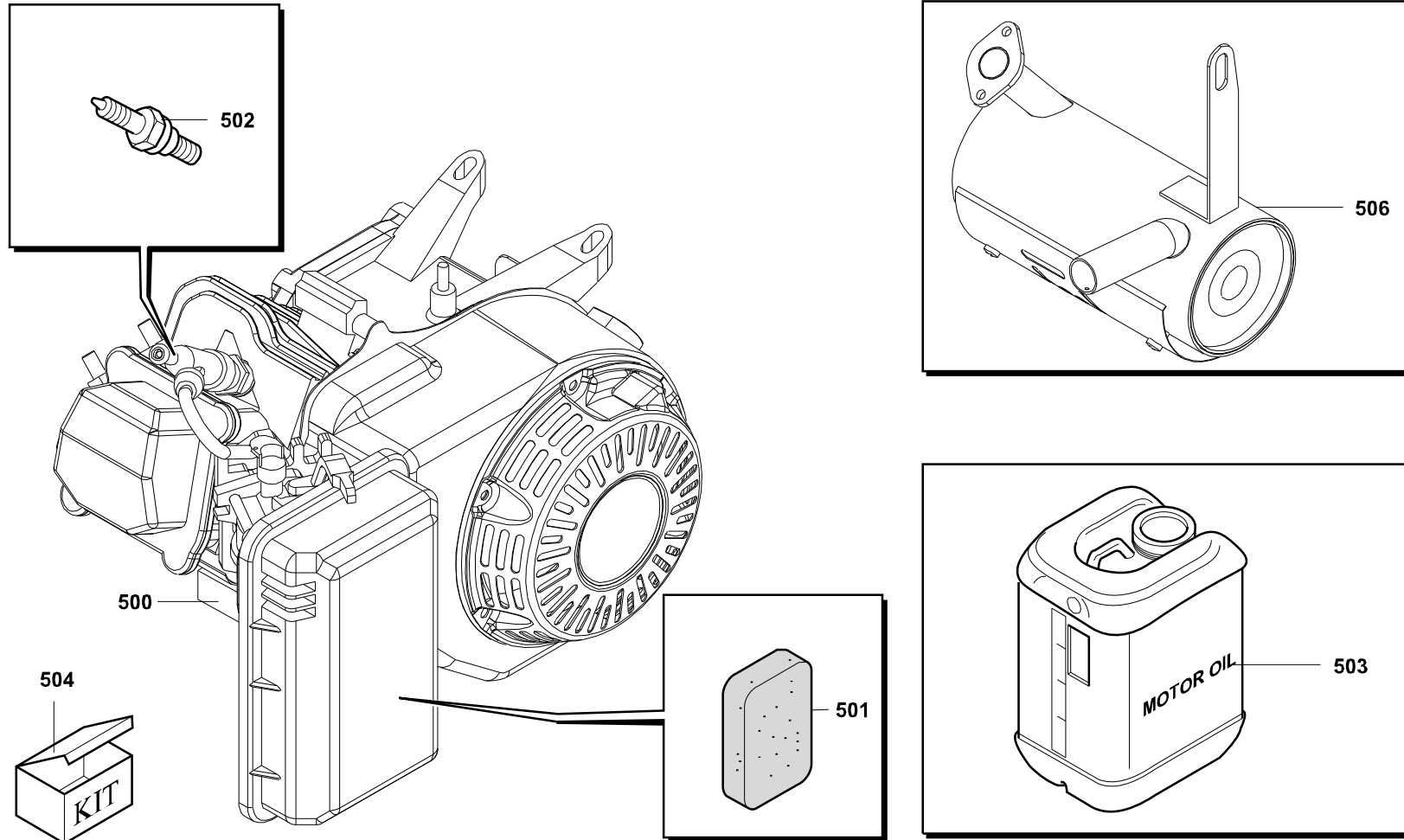
Position	Part Number	Description	Notes
100	▲ VA40020022-9005B	Telaio Es 5/8000 Verniciato	Valid for products manufactured from 18/09/2014
	▲ VA40020016-9005B	Complete Frame Painted Es 5-7-8000	Valid for products manufactured from 05/06/2012 to 18/09/2014
	▲ VA40020003-9005O	Complete Frame Es 5/7/8000 *hhpi Painted	Valid for products manufactured until 05/06/2012
101	G052112	Cylindric Silent-block Mf-30x30-m8x15-m8-60	-
102	G052120	Cylindric Silent-block Mf-40x40-m8x14-m8-45	-
103	VA40020702-PRAMACB	Side Cover Es 5-7-8000 Painted	-
200	G51398	Fuel Tank 11 Liters	-
201	▲ G080201	Obsolete Use G080215	
	▲ G080215	Fuel Cap Without Key - Vent Holes On Top	



Position	Part Number	Description	Notes
2	PAN5AA121817	Rotore Avvolto Se100e J609bc22-25.4	-
4	PAN1VGA10003	Fan	-
11	PAN7TZUN08157	Tension Rod Zinc Plated M8-5/16" Es80a	-
12	G010301	Bearing 6203 2z (17-40-12)	-
17	G69621	Battery Charger Diode 6a - 1200v	-
18	G70698	Capacitor 18mf	-
19	PAN1GGA100111	Frontal Cover Predisp. 2 Shuko 16a + Cb	-
20	G071131	Socket Subassembly, Power Supply	-
21	G071121	Panel Mount Socket 2p+t 230v 16a Ip44 Cee	-
22	PAN00002	Cover 1 Presa Cee + 1 Presa Schuko + 1 C. Breaker	-
24	PAN3FLA10010	Flangia Accoppiamento J609b C22-25,4 Se100	-
25	PAN3SLA10015	Scudo Anteriore Se100	-
27	PAN3SLA10016	Scudo Posteriore Se100	-
28	PAN3APPL0011N	Shutter Band Es80a	-
35	PANKPD25A02	Ponte Raddrizzatore Monofase 15°-200v	-
48	PANKVZ14L781	Varistore Ossido Di Zinco 14/780vdc	-
300	ANS4200CB0ACAZ	Alt. Se100e 4,2kva 230v 50hz J609b	-



Position	Part Number	Description	Notes
1	PAN1GGA10014	Alt. Grill	-
4	PAN1VGA10003	Fan	-
9	PAN7VTE06165	Tirante Laterale K100e 4.2 (vite Zn Te M6×165 Classe 6,8)	-
11	PAN00056	K100e Central Rod	-
12	G010301	Bearing 6203 2z (17-40-12)	-
17	G69621	Battery Charger Diode 6a - 1200v	-
18	G70698	Capacitor 18mf	-
19	PAN1GGA100111	Frontal Cover Predisp. 2 Shuko 16a + Cb	-
20	G071131	Socket Subassembly, Power Supply	-
21	G071121	Panel Mount Socket 2p+t 230v 16a Ip44 Cee	-
22	PAN00002	Cover 1 Presa Cee + 1 Presa Schuko + 1 C. Breaker	-
24	PAN3FLA10010	Flangia Accoppiamento J609b C22-25,4 Se100	-
25	PAN3SLA10015	Scudo Anteriore Se100	-
27	PAN3SLA10016	Scudo Posteriore Se100	-
28	PAN3APPL10141	Fascia K100e 4.2 Vern+rivetti L90 Nera	-
35	PANKPD25A02	Ponte Raddrizzatore Monofase 15°-200v	-
48	PANKVZ14L781	Varistore Ossido Di Zinco 14/780vdc	-
300	ANS4200CB0ACAX	Alternator K100e 4,2/230/50/3000 J609b - Cover 1 Cee 230v 16a + 1 Schuko 16a + C. Breaker - Ip23 - Nsm	-



Position	Part Number	Description	Notes
500	▲ EHA90BB22X	Engine Honda Gx270rt2 Vpx5 Air_3000_mech_j609b-_handstart__ver/sp:	Valid for products manufactured from 07/03/2011
	▲ EHA90BB22Y	Engine Honda Gx270 Vpx5 Air_3000_mech_j609b-_handstart__ver/sp:	Valid for products manufactured until 07/03/2011
501	PEH17211-899-000	Air Filter Element	-
502	PEH98079-56846	Spark Plug Bpr6es	-
503	P3KI00299	Kit Pramac Power	-
504	P3KI00008	Maintenance Kit S5000-es5000	-
506	▲ SA40016900	Muffler Engine Gx270	Valid for products with serial numbers from PWR0037991
	▲ G92080	Muffler Gx 270	Valid for products with serial numbers until PWR0037991