

## Spare Parts Catalogue

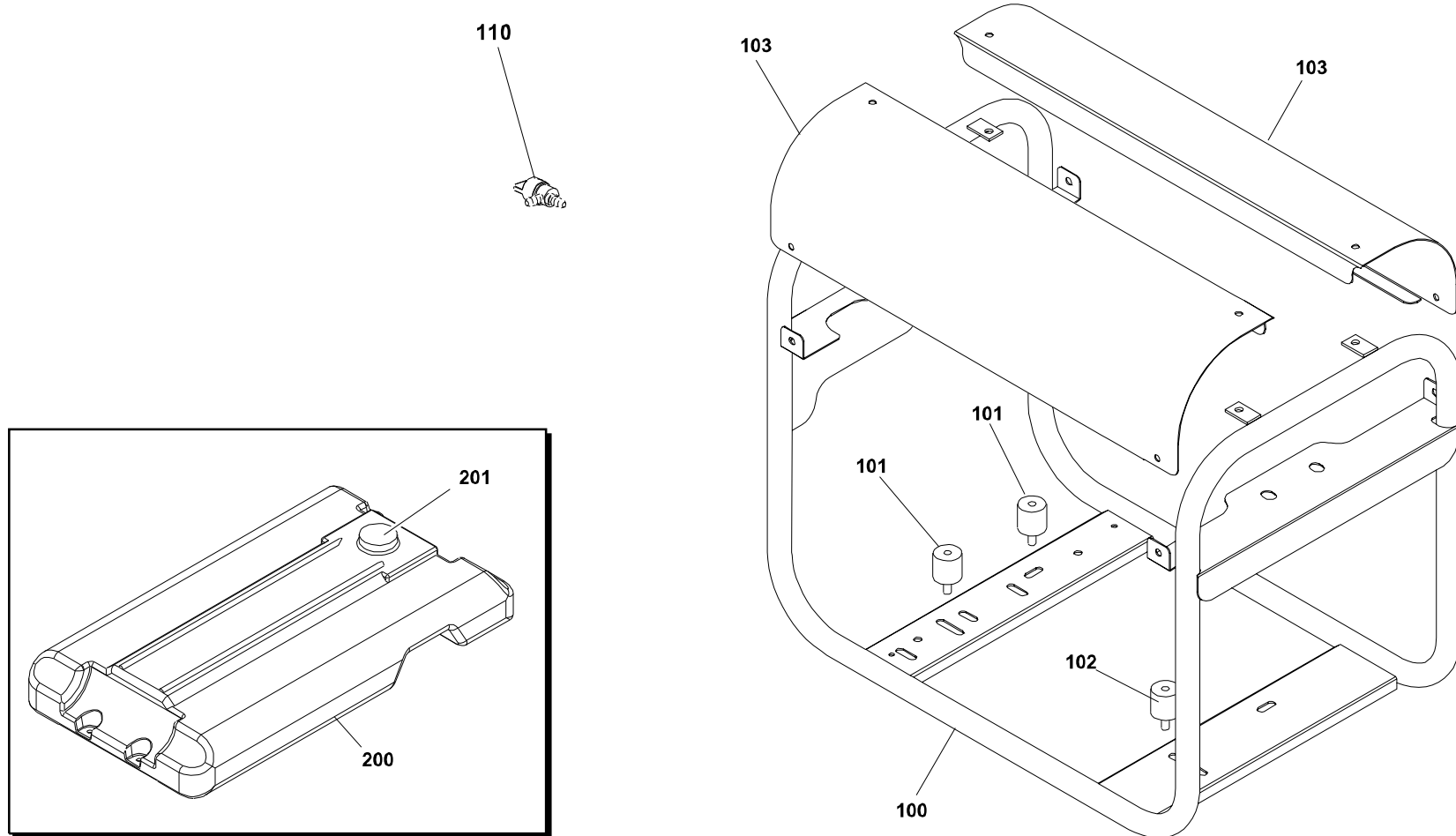
# ES3000

Power systems | Generating sets

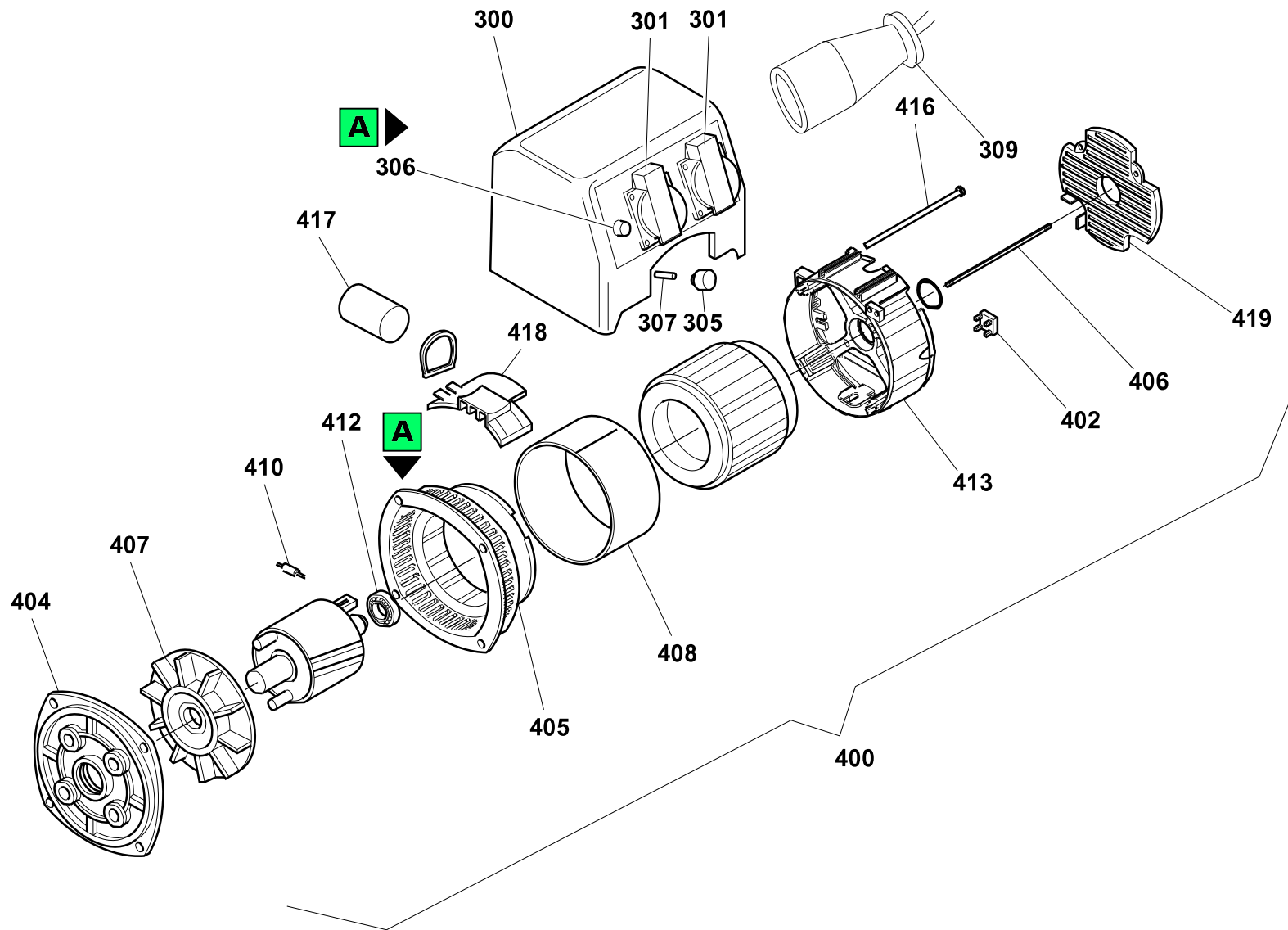
Valid for machine code: PE242SHI000

Revision: 0 (10/2006)

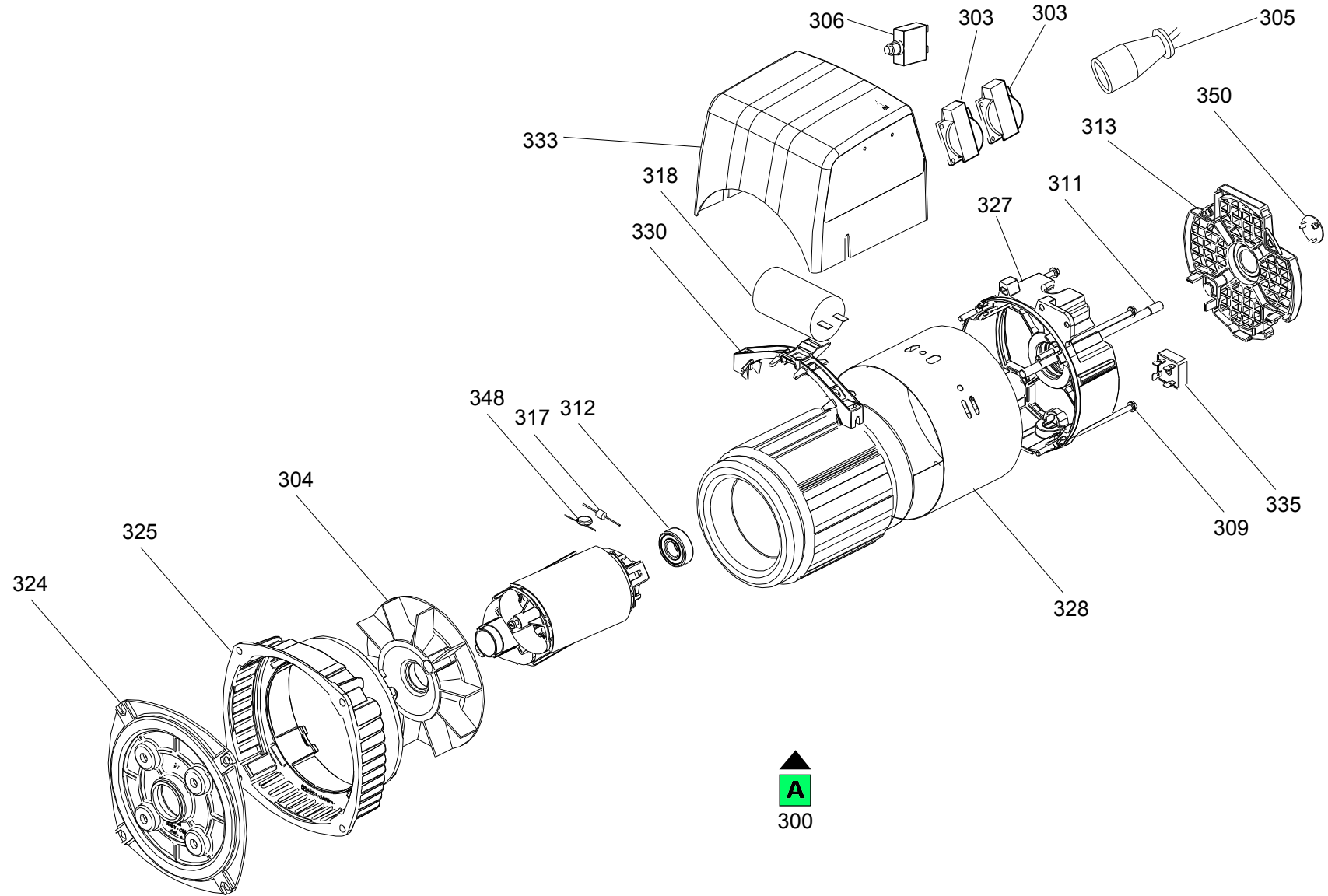
Copyright 2016 Pramac Group, All Rights Reserved.



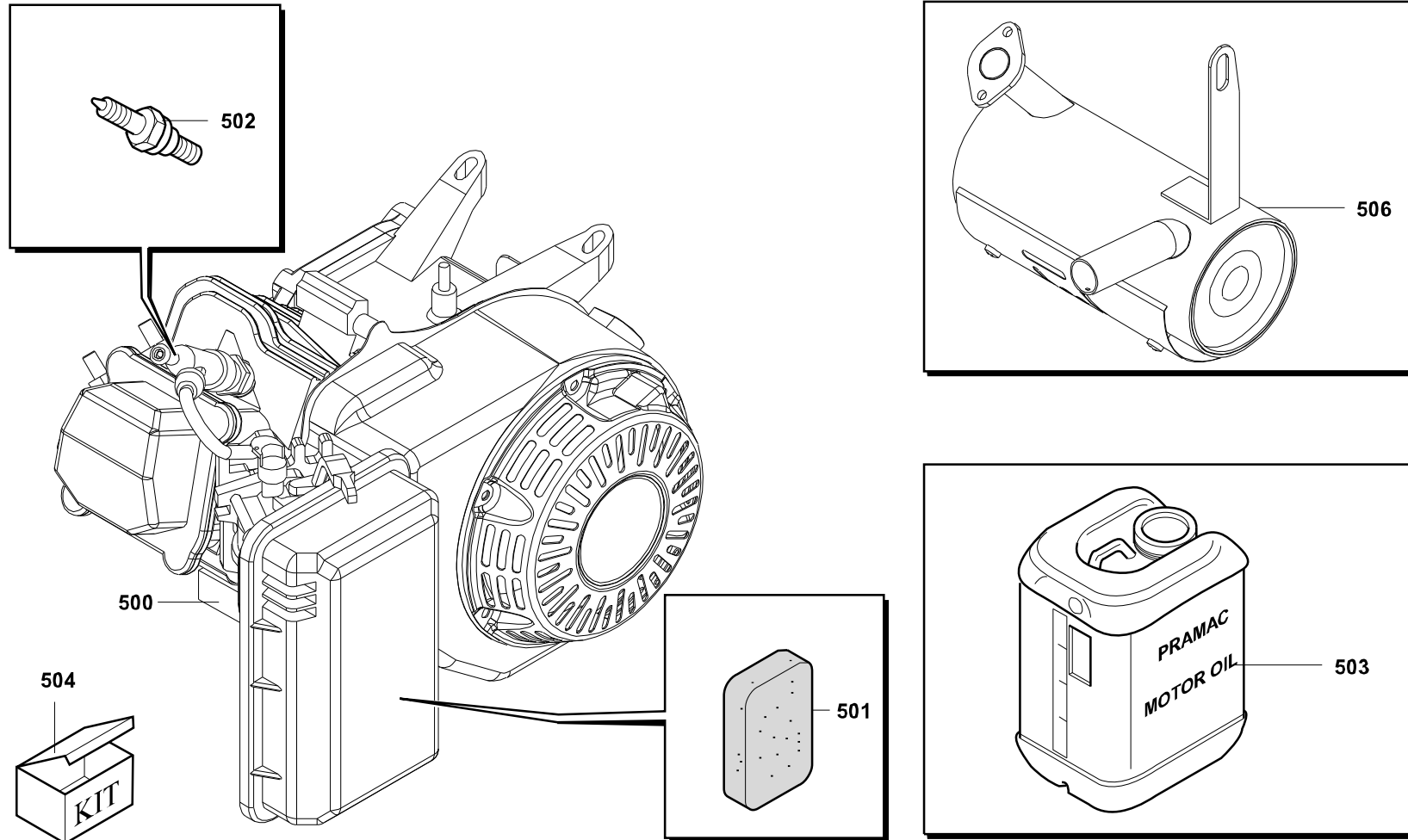
Position	Part Number	Description	Notes
100	▲ VA40023014-9005B	Complete Frame Painted Es 32 Ral9005o	Valid for products manufactured from 18/07/2012
	▲ VA40023001-9005O	Complete Frame S3000 Shhpi Painted	Valid for products manufactured until 18/07/2012
101	G052113	Cylindric Silent-block Mf-30x30-m8x15-m8-45	-
102	G052113	Cylindric Silent-block Mf-30x30-m8x15-m8-45	-
103	VA8922-PRAMAC	Side Cover Es3000 Green Painted Pramac	-
110	G085102	Gasoline Loose Plastic Tap	-
200	G51398	Fuel Tank 11 Liters	-
201	▲ G080201	Obsolete Use G080215	
	▲ G080215	Fuel Cap Without Key - Vent Holes On Top	



Position	Part Number	Description	Notes
300	PAN1GGA00001A	Alt. Es80c Cover	-
301	G071131	Socket Subassembly, Power Supply	-
302	G071131	Socket Subassembly, Power Supply	-
305	G070617	Panel Mount Fuse Holder 6a (5x20)	-
306	G075531	Thermal Circuit Breaker 10a 240v	-
307	G070616	Fuse 10a 5x20 Glass	-
308	G69703	Electric Control Panel Es80c 2sc+t	-
309	G71230	Flying Plug Schuko	-
400	ANS2700CA0A2AZ	Alt. Es80c 2,7/115/230/50/3000 J609a	-
404	G69687	Motor Coupling Flange Es80j609c19	-
405	G69688	Front Plate Es80	-
406	G69684	Tension Rod Zinc Plated M8-5/16"24unfx18 Es80b	-
407	PAN1VGA00002	Fan	-
408	G69696	Shutter Band Black Es80c 3appl0013n	-
410	G69621	Battery Charger Diode 6a - 1200v	-
412	G010408	Bearing 6202 2rs (15-35-11)	-
413	G69693	Rear Plate Es80	-
416	G69682	Screw Zinc Plated Te M5x165 Es80c (7vte05165)	-
417	G70698	Capacitor 18mf	-
418	G69698	Capacitor Support Bracket 1mvv002	-
419	G69686	Rear Cover 1gga00002	-



Position	Part Number	Description	Notes
300	ANS2700CA0A2AW	Alternator K80c 2,7/230/50/3000 J609a - Cover - 2 Schuko +cir. Breaker - Nsm	-
303	G071131	Socket Subassembly, Power Supply	-
304	PAN1VGA00002	Fan	-
305	G71230	Flying Plug Schuko	-
306	G075531	Thermal Circuit Breaker 10a 240v	-
309	PAN7VTE05145	Screws For Bracket Fixing	-
311	PAN7ZUN08205	Alternator Rod Es80e 3.5kva	-
312	G010408	Bearing 6202 2rs (15-35-11)	-
313	PAN1GGA00008	No Drive End Grid	-
317	G69621	Battery Charger Diode 6a - 1200v	-
318	G70698	Capacitor 18mf	-
324	PAN3FLA1011	Coupl. Flange J609a C19	-
325	PAN3SLA00003	Drive End Bracket	-
327	PAN3SLA00004	No Drive End Bracket	-
328	PAN3APPL0016	Enclosing Band	-
330	PAN1MVB004	Capacitor Support	-
333	PAN1GGA000940	Cover K80e 2	-
335	PANKPD25A02	Ponte Raddrizzatore Monofase 15°-200v	-
348	PANKVZ12A420	Varistor	-
350	PAN7PRTS0232	Plastic Plug Es80	-





Position	Part Number	Description	Notes
500	▲ EHA55BA1GZ	Engine Honda Gx160h1 Vpm6 Air_3000_mech_j609a-_handstart__ver/sp:	Valid for products manufactured from 17/04/2014
	▲ EHA55BA11V	Engine Honda Gx160t2 Vpm6 Air_3000_mech_j609a-_handstart__ver/sp:	Valid for products manufactured from 04/01/2013 to 07/04/2014
	▲ EHA55BA11W	Engine Honda Gx160t1 Vpm6 Air_3000_mech_j609a-_handstart__ver/sp:	Valid for products manufactured from 06/10/2010 to 04/01/2013
	▲ EHA55BA11Y	Engine Honda Gx160k1 Vpm5 Air_3000_mech_j609a-_handstart__ver/sp:	Valid for products manufactured from 17/08/2005 to 06/10/2010
	▲ EHA55BA11Z	Engine Honda Gx160 Vpm4 Air_3000_mech_j609a-_handstart__ver/sp:	Valid for products manufactured until 17/08/2005
501	PEH17211-ZB2-000	Air Filter Element Gx160k1	-
502	PEH98079-56846	Spark Plug Bpr6es	-
503	P3OL00003	Power Motor Oil 15/40 0,600l.	-
504	P3KI00004	Maintenance Kit Es3000-c3000-es4000-p4000i-es4000exp- S3200	-
506	G92070	Muffler Pramac Gx 120/160	-