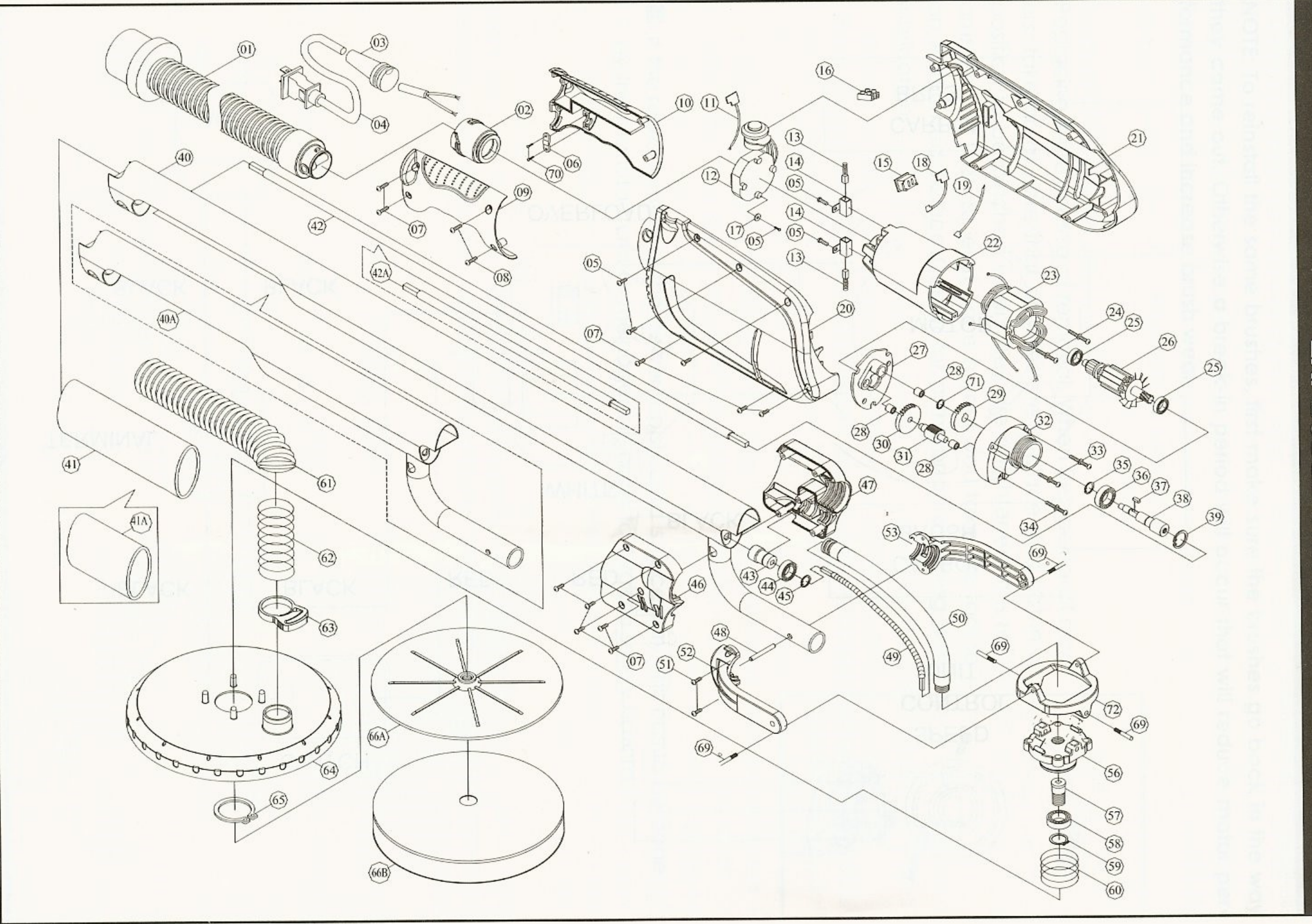


EXPLODED VIEW



14

PARTS LIST

No.	Parts Name	Q'TY	No.	Parts Name	Q'TY
1	VACCUM EXTENSION HOSE 4M	1	40A	EXTENSION COLUMN FOR SHORTER SANDER 539.22mm	1
2	BAYONET HOSE CONNECTOR	1	41	FOAM HANDLE GRIP FOR LONGER SANDER	1
3	CORD ARMOR	1			
4	POWER SUPPLY CABLE	1	41A	FOAM HANDLE GRIP FOR SHORTER SANDER	1
5	SCREW M4 x 12	6	42	FIRST DRIVE SHAFT FOR LONGER SANDER	1
6	CABLE CLIP	1	42A	FIRST DRIVE SHAFT FOR SHORTER SANDER 254mm	1
7	SCREW M4 x 20	10	43	SHAFT CONNECTOR	1
8	SCREW M4 x 25	2	44	BALL BEARING 6001 2RS	1
9	RIGHT HANDLE COVER	1	45	C - CLIP S-12	1
10	LEFT HANDLE COVER	1	46	RIGHT DRIVE COVER	1
11	WIRE LEAD	1	47	LEFT DRIVE COVER	1
12	SPEED CONTROL UNIT	1	48	HOLDING PIN 6 x 39	1
13	CARBON BRUSH	2	49	SECONDARY DRIVE SHAFT	1
14	CARBON BRUSH HOLDER	2	50	DRIVE SHAFT COVER	1
15	MOTOR SWITCH	1	51	SCREW M4 x 8	2
16	WIRE CONNECTOR	1	52	RIGHT FORK ARM	1
17	FLAT WASHER M4	1	53	LEFT FORK ARM	1
18	WIRE LEADER	1	54	N/A	
19	WIRE LEADER	1	55	N/A	
20	RIGHT HOUSING COVER	1	56	PIVOT CONNECTING BRACKET	1
21	LEFT HOUSING COVER	1	57	CONNECTING SPINDLE	1
22	MOTOR HOUSING	1	58	BALL BEARING 6002 2RS	1
23	STATOR	1	59	C - CLIP R-32	1
24	SCREW M4 x 50	2	60	SPRING 2 x 49 x 40 x 5	1
25	BALL BEARING 608 2RS	2	61	VACUUM HOSE	1
26	ARMATURE	1	62	SPRING 1 x 32 x 363 x 30	1
27	GEAR PLATE	1	63	PLASTIC CLIP	1
28	BUSHING 6 x 10 x 8	3	64	SANDING PLATE COVER	1
29	OUTPUT GEAR	1	65	C - CLIP S-40	1
30	INTERMEDIATE GEAR	1	66A	SANDING PLATE BASE	1
31	INTERMEDIATE GEAR PINION	1	66B	HOOK & LOOP SPONGE PAD	1
32	GEAR CASE	1	67	N/A	
33	SCREW W/ WASHER M5 x 35	2	68	N/A	
34	SCREW W/ WASHER M5 x 20	1	69	SCREW M5	4
35	C - CLIP S-10	1	70	SCREW M4 x 14	2
36	BALL BEARING 6200 2RS	1	71	C - CLIP S-8	1
37	WOODRUFF KEY 3 x 8	1	72	PIVOT BASE	1
38	SPINDLE	1			
39	C - CLIP R-30	1			
40	EXTENSION COLUMN FOR LONGER SANDER 989.22mm	1			

15