

## Parts List



[www.grindex.com](http://www.grindex.com)

---

**Bravo 800 — 8152.020/.190**





# Parts List

Bravo 800 — 8152.020/190

## Overview

---

### Table of Contents

This publication contains the following topics:

### Topic

Introduction .....	4
Practical Information .....	5
Data Plate Interpretation.....	6
Order parts.....	7
Motor Parts .....	8
Non Explosion-proof.....	9
Explosion-proof.....	11
List.....	13
Hydraulic Parts .....	19
Without Agitator .....	20
With Agitator.....	21
List.....	22

---

# Introduction

## Purpose

The purpose of this manual is to give the reader information about available spare parts and accessories for the product.

---

## Recipient

The manual is principally intended for Grindex

- customers
  - service personnel
  - sales personnel
- 

## Contact

For more information

- contact your Grindex representative
  - visit <http://www.grindex.com/>
- 

## Reference

More information about the product is available in the following documents:

- Installation, Operation and Maintenance
  - Grindex accessories list
-

# Practical Information

## Overview

### Table of Contents

---

This chapter contains the following topics:

<b>Topic</b>	
Data Plate Interpretation .....	6
Data Plate.....	6
Order parts .....	7

---

# Data Plate Interpretation

## Introduction

The Grindex product is always provided with data plates:

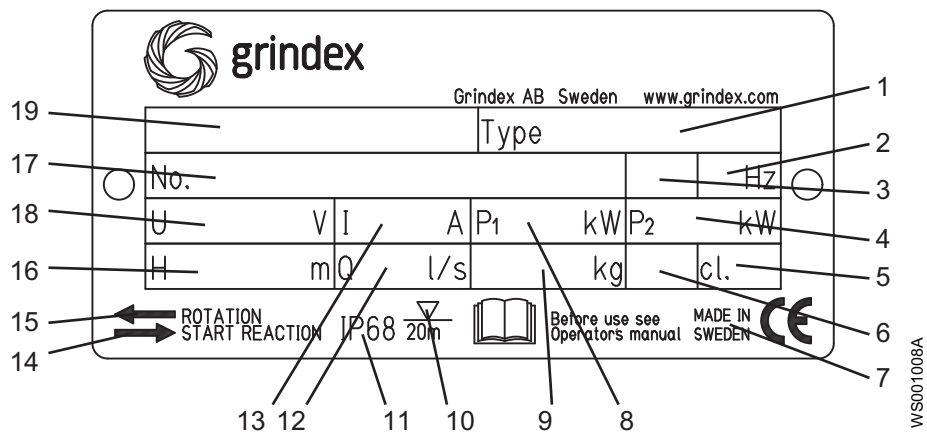
- The general data plate is used on all products.
- The approval plate is added to all explosion proof products.

## Data Plate

The product may only be operated within the parameters stated on the data plate.

## Illustration

This is an illustration of a general data plate.



## Field description

This table shows the fields on the general data plate, and which information each field contains.

Field	Description	Field	Description
1	Pump type number	11	Degree of protection
2	Frequency	12	Maximum capacity
3	Phases, type of current	13	Rated current
4	Rated shaft power	14	Direction of the start reaction
5	Thermal class	15	Direction of the impeller rotation
6	Locked rotor code-letter	16	Maximum head
7	Country of origin	17	Serial number
8	Maximum power consumption	18	Rated voltage
9	Product weight	19	Pump model
10	Maximum submersion depth	-	-

## Order parts

---

### Order

When ordering spare parts, state product number and serial number of the product, spare part number and quantity.

---

### Requirements

Genuine Grindex parts must always be used for repairs if the product is to fulfill requirements and obtain official approval.

---

### Specially Approved Products

Spare parts marked with <sup>(EX)</sup> after the part number are subject to dimensional accuracy inspection.

---

# Motor Parts

## Overview

### Table of Contents

---

This chapter contains the following topics:

#### Topic

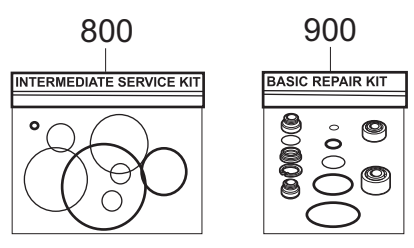
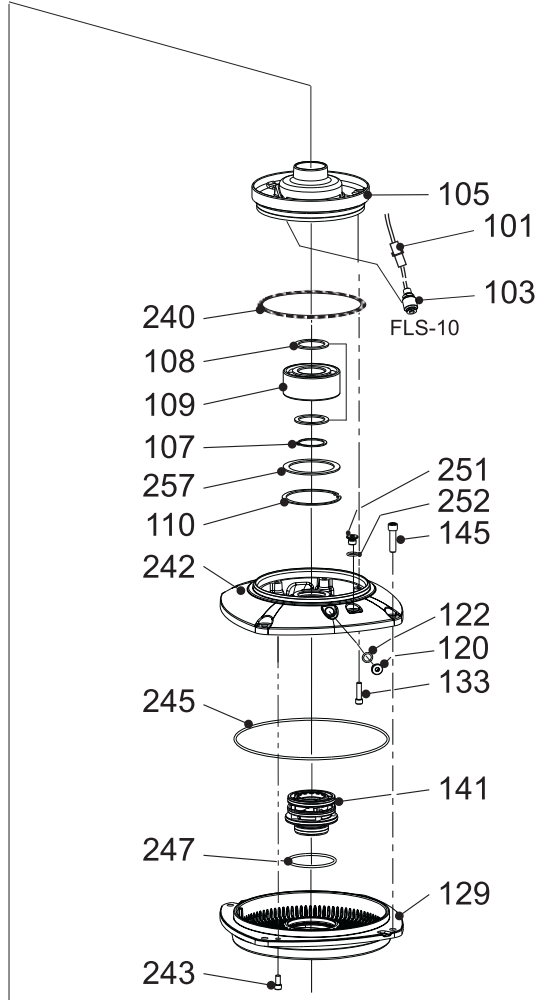
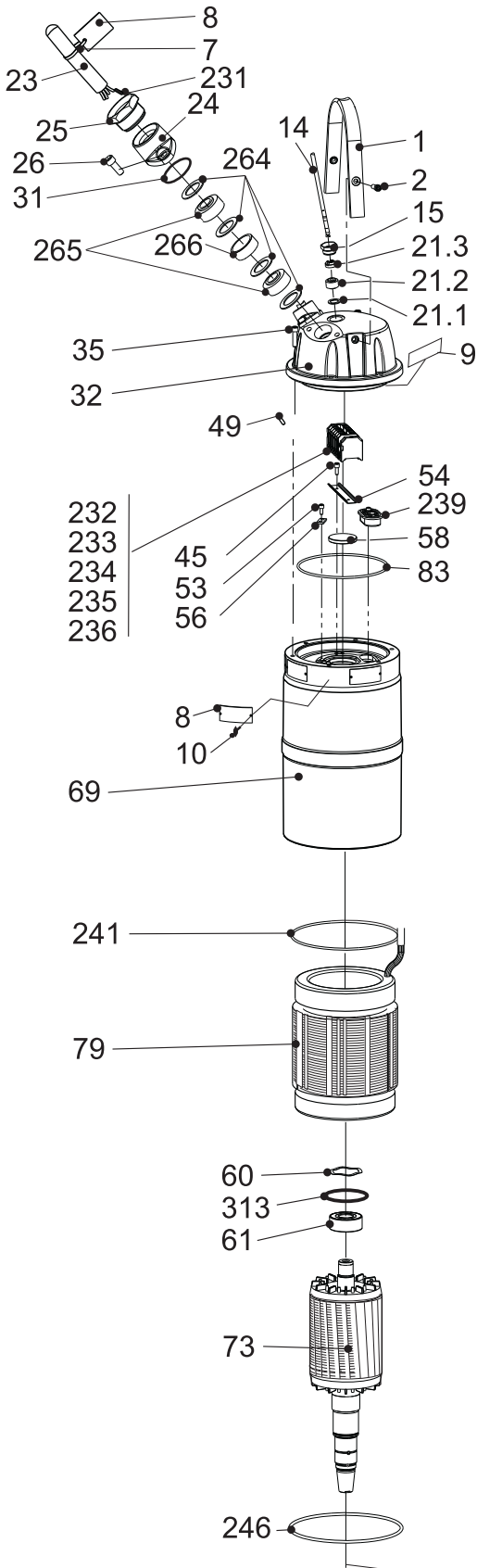
Non Explosion-proof .....	9
Without Cooling Jacket .....	9
With Cooling Jacket .....	10
Explosion-proof .....	11
Without Cooling Jacket .....	11
With Cooling Jacket .....	12
List .....	13

---



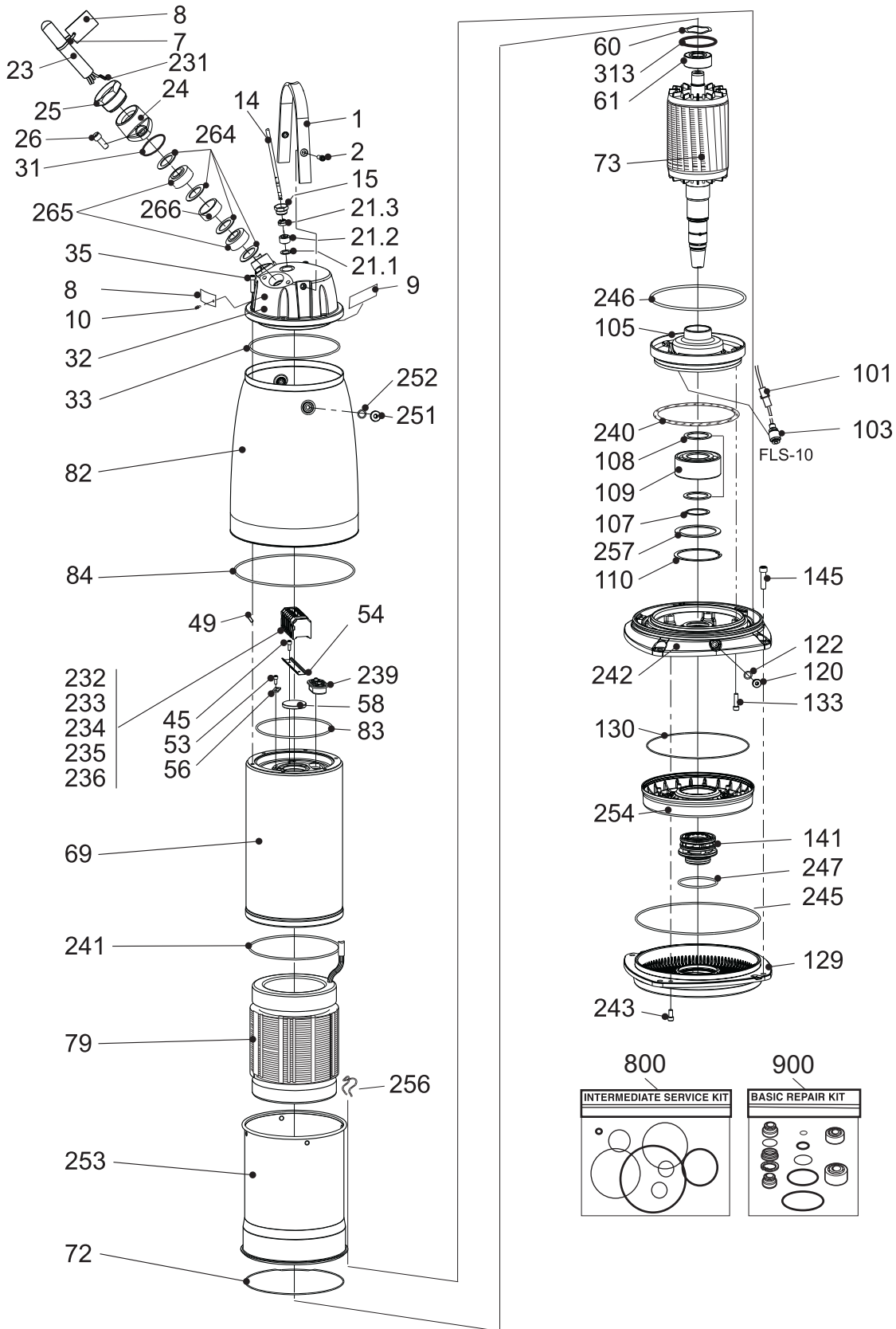
# Non Explosion-proof

## Without Cooling Jacket



20073B

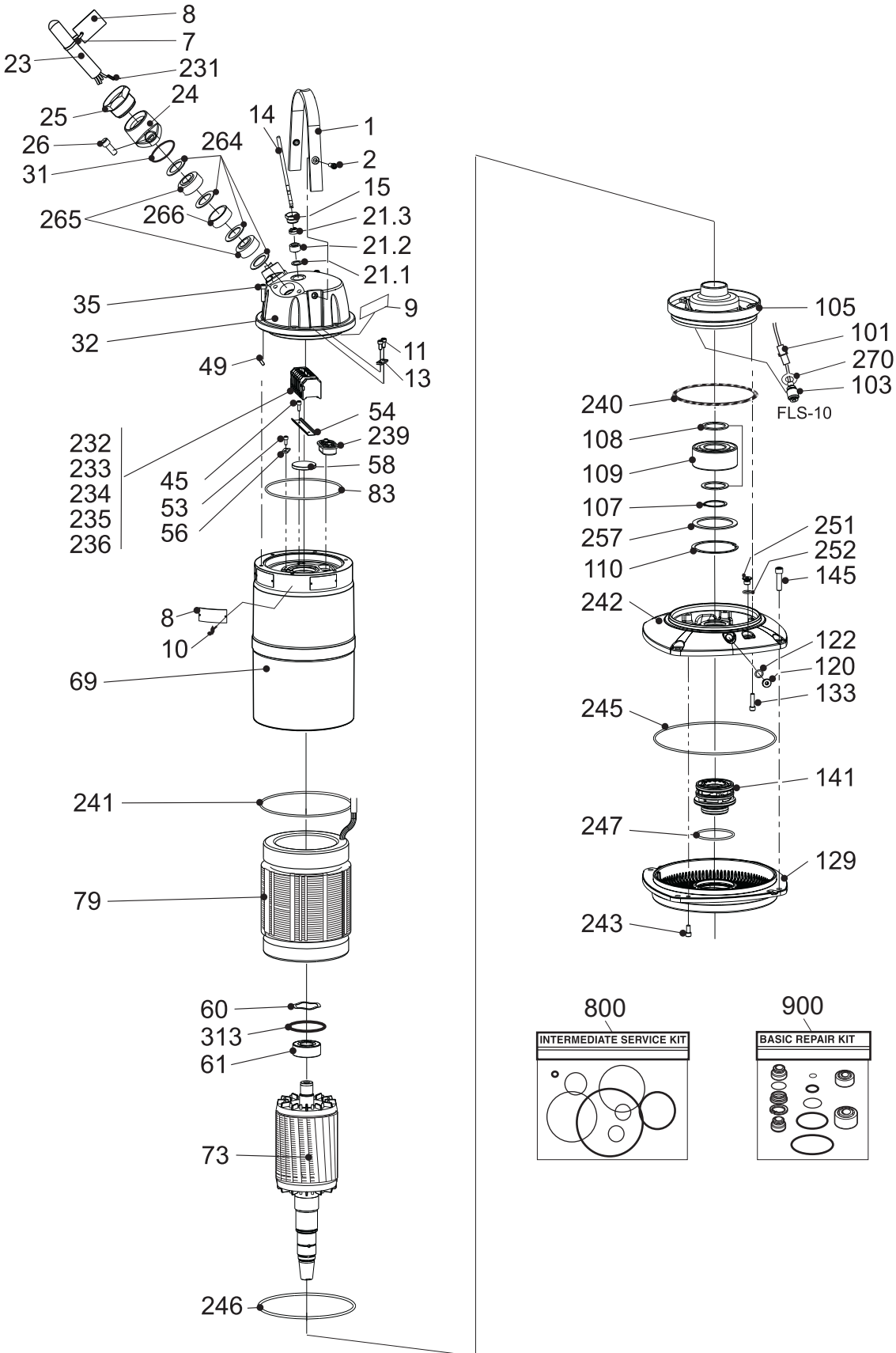
# With Cooling Jacket



20095B

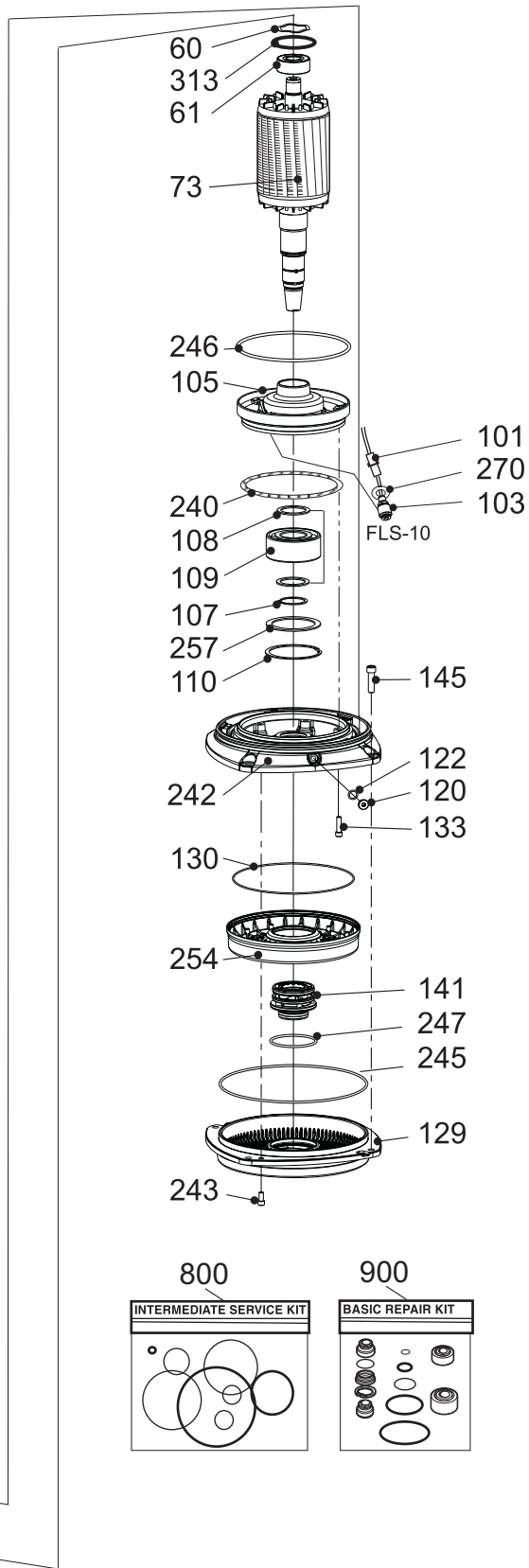
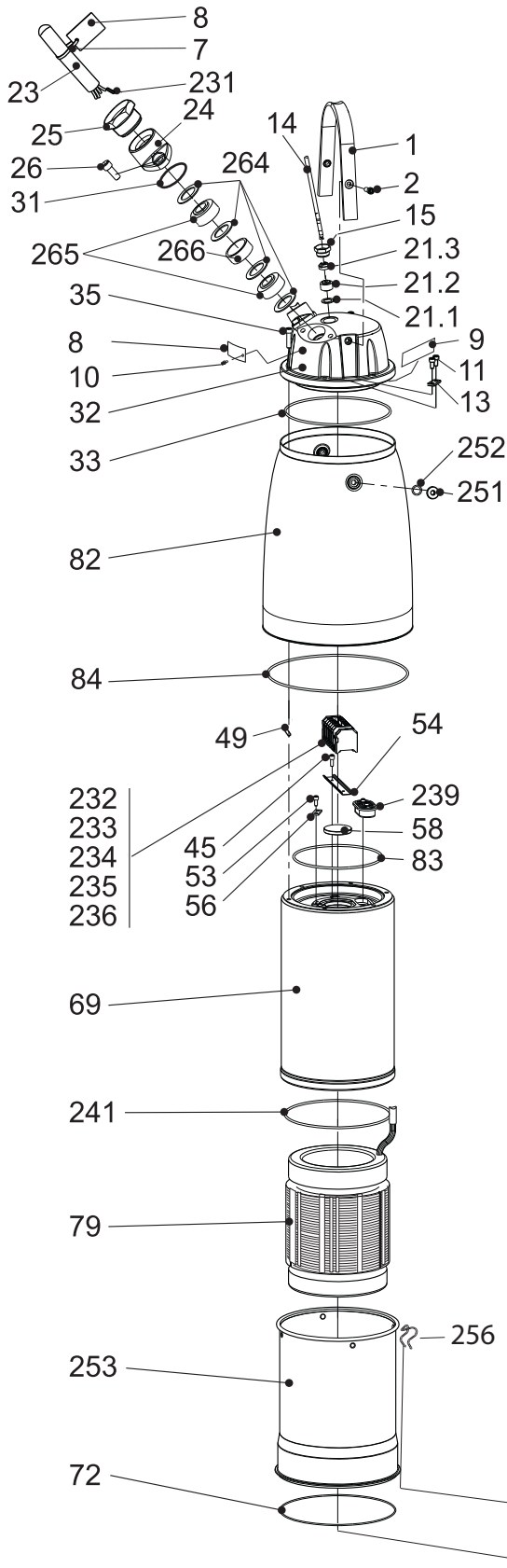
# Explosion-proof

## Without Cooling Jacket



20096B

# With Cooling Jacket



20097B

# List

Pos. No	Part. No	Denomination	Qty/Ver- sion	
			020	190
1	51 522 00	Lifting handle	1	1
2	410 374	Hex.socket hd screw M12X45-A4-80 ITT Part. No 83 04 53	2	2
7	410 517	Cable tie 200X2.4 PA 6/6 -55+105	1	1
7	50 457 02	Cable tie 292X3.5;NYLON;+125 C	1	1
8	51 648 00	Certificate plate ITT Part. No 630 69 02		2
8	50 888 00	Plate-blank Use 50 907 00 (EU), 50 907 01 (US) as spare part for non explosion-proof version.	2	2
8	50 888 00	Plate-blank Use 51 633 00 (EU), 51 633 02 (US) as spare part for explosion-proof version. ITT Part. No 763 58 00 and 763 58 01 resp.	2	2
8	51 614 00	Certificate plate ITT Part. No 752 20 00		1
9	410 526	Marking strip 5-GW(T1;T2;T15;T16)	1	1
9	410 527	Marking strip W5;V5;U5;V2;W1;U2;V1;W2;U	1	1
9	50 918 00	Connection plate SCREENED CABLE	1	1
9	51 426 00	Connection plate	1	1
9	51 438 00	Plate	1	1
9	51 440 00	Connection plate	1	1
9	51 509 00	Connection plate	1	1
10	410 000	Drive screw 4X5-A2-70 ITT Part. No 82 20 88	4	4
11	410 503	Hex.socket hd screw M6X12-A2-70 ITT Part. No 82 00 11		2
13	50 902 00	Earthing plate	1	1
14	410 350	Control cable SUBCAB 7X1.5 MM2 OD=15-17	*	*
15	51 407 00	Gland screw FOR CABLE ENTRY ITT Part. No 397 81 00	1	1
21.1	50 127 04	Plain washer (10)-22 MM	1	1
21.2	410 043	Seal sleeve (10)-12 MM	1	1
21.2	410 045	Seal sleeve (14)-16 MM	1	1
21.3	50 926 00	Cable clip (10)-12 MM	1	1
21.3	50 926 02	Cable clip (14)-16 MM	1	1
23	410 063	Motor cable 7G2.5+2X1.5 MM2 OD=20-23	*	*
23	410 125	Motor cable SCREEN S3X10+3X10/3+4X1.5	*	*

Pos. No	Part. No	Denomination	Qty/Version	
			020	190
23	410 126	Motor cable 4G6+2X1.5 MM2 OD=23-25 MM	*	*
23	410 127	Motor cable 4G10+2X1.5 MM2 OD=26-28MM	*	*
23	410 128	Motor cable 4G16+2X1.5 MM2 OD=26-28MM	*	*
23	410 129	Motor cable 4G4+2X1.5 MM2 OD=20-22 MM	*	*
23	410 130	Motor cable 7G4+2X1.5 MM2 OD=22-26 MM	*	*
23	410 131	Motor cable 7G6+2X1.5 MM2 OD=24-28 MM	*	*
23	410 134	Motor cable 8AWG/3-2-1-GC OD=27-29 MM	*	*
23	410 135	Motor cable 6AWG/3-2-1-GC OD=30-32 MM	*	*
23	410 136	Motor cable 4AWG/3-2-1-GC OD=33-35 MM	*	*
23	410 347	Motor cable SUBCAB S3X16+3X16/3+4X1.5	*	*
23	410 351	Motor cable SUBC750RN 4G25+2X1.5	*	*
23	410 352	Motor cable SUBCAB4G35+2X1.5 MM2	*	*
23	410 355	Motor cable SUBCAB 1AWG/3-2-1-GC	*	*
23	410 383	Motor cable SUBCAB S3X25+3X16/3+4X1.5	*	*
23	410 384	Motor cable SUBCAB S3X35+3X16/3+4X1.5	*	*
24	51 411 00 (EX)	Entrance flange SS	ITT Part. No 597 87 01	2 2
24	51 411 01 (EX)	Entrance flange ISO 228/1-G2	ITT Part. No 597 87 04	2 2
24	51 411 02 (EX)	Entrance flange 2-11.5 NPT	ITT Part. No 597 87 08	2 2
24	51 411 03 (EX)	Entrance flange 1 1/2-11.5 NPT	ITT Part. No 597 87 11	2 2
24	51 423 00 (EX)	Entrance flange	ITT Part. No 642 17 01	2 2
25	51 419 00	Gland screw 1 1/4" ISO.FOR METALHOSE	For use with metal hose. ITT Part. No 633 11 01	2 2
25	51 419 01	Gland screw 1 1/2" NPT.FOR METALHOSE	For use with metal hose. ITT Part. No 633 11 04	2 2
26	410 374	Hex.socket hd screw M12X45-A4-80	ITT Part. No 83 04 53	4 4
31	410 086	O-ring 49.5X3 NBR		2 2
31	410 513	O-ring 49.5X3 FPM		2 2
32	51 521 00	Entrance cover	Intended for motor cable x 1	1

Pos. No	Part. No	Denomination	Qty/Version		
			020	190	
32	51 521 01	Entrance cover	Intended for motor cable x 2	1	
32	51 521 02	Entrance cover	Intended for motor cable x 1 + 1 control cable	1	
32	51 521 03	Entrance cover	Intended for motor cable x 2 + 1 control cable	1	
32	51 521 04 (EX)	Entrance cover	Intended for motor cable x 1. ITT Part. No 607 72 11		1
32	51 521 05 (EX)	Entrance cover	Intended for motor cable x 2. ITT Part. No 607 72 13		1
32	51 521 06 (EX)	Entrance cover	Intended for motor cable x 1 + 1 control cable. ITT Part. No 607 72 15		1
32	51 521 07 (EX)	Entrance cover	Intended for motor cable x 2 + 1 control cable. ITT Part. No 607 72 17		1
33	131 543	O-ring 249.3X5.7 NBR		1	1
33	50 037 68	O-ring 249.3X5.7 FPM		1	1
35	410 374	Hex.socket hd screw M12X45-A4-80	ITT Part. No 83 04 53	6	6
45	410 503	Hex.socket hd screw M6X12-A2-70	ITT Part. No 82 00 11	2	2
49	410 515	End sleeve H16/24		6	3
49	410 516	End sleeve H25/30		6	6
49	410 580	End sleeve H35/30D		3	3
49	410 581	End sleeve H50/36		6	6
49	410 611	End sleeve		6	6
53	410 503	Hex.socket hd screw M6X12-A2-70	ITT Part. No 82 00 11	4	4
54	51 518 00	Rail 35X7.5		1	1
56	50 902 00	Earthing plate		1	2
58	410 608	Protective cap VK 80X10		1	1
60	410 600	Spring washer 89.5X72X0.66		1	1
61	410 101	Ball bearing 3308A-2Z/C3VT113		1	1
69	51 520 00	Stator housing		1	
69	51 520 01 (EX)	Stator housing	ITT Part. No 607 65 01		1
72	132 356	O-ring 299.3X5.7 NBR		1	1
72	410 602	O-ring 299.3X5.7 FPM		1	1
73	51 516 02	Shaft unit		1	1
79	51 527 01	Stator 30-29-4a	50Hz: 660 - 690V Y, 380 - 400V D. 60Hz: 440 - 460V D.	1	1
79	51 527 03	Stator 30-29-4a	50Hz: 500V D. 60Hz: 575 - 600V D.	1	1
79	51 527 05	Stator 30-29-4a	50Hz: 415 - 440V D.	1	1
79	51 527 07	Stator base 30-29-4a	60Hz: 660V Y, 380V D.	1	
82	51 636 00	Cooling jacket OUTER		1	1

Pos. No	Part. No	Denomination	Qty/Version		
			020	190	
82	51 636 01	Cooling jacket OUTER	1	1	
83	410 092	O-ring 319.3X5.7 NBR	1	1	
83	410 570	O-ring 319.3X5.7 FPM	1	1	
84	132 411	O-ring 399.3X5.7 NBR	1	1	
84	410 603	O-ring 399.3X5.7 FPM	1	1	
101	50 698 00	Cable unit FLS10	1	1	
103	50 486 01 (EX)	Level sensor FLS10	ITT Part. No 663 04 00	1	1
105	51 524 00	Bearing holder	1		
105	51 524 01 (EX)	Bearing holder	ITT Part. No 607 96 01		1
107	410 601	Retaining ring SGA 70	1	1	
108	51 530 00	Supporting washer	2	2	
109	410 610	Ball bearing 3314A-2Z/C3VT113	1	1	
110	410 609	Retaining ring 152/3,25	1	1	
120	51 428 00	Plug	1	1	
122	410 508	O-ring 17X3 NBR	1	1	
122	410 511	O-ring 17X3 FPM	1	1	
129	51 523 00	Seal housing cover	1	1	
130	410 710	O-ring 329.79X3.53 NBR	1	1	
133	410 374	Hex.socket hd screw M12X45-A4-80	ITT Part. No 83 04 53	6	6
141	51 525 00	Mechanical seal	1	1	
145	410 553	Hex.socket hd screw M16X60-A4-80	ITT Part. No 83 04 58	4	4
231	410 054	Shrink hose ID 6.4	*		
231	410 122	Shrink hose ID 9.5	*		
232	410 523	Terminal clamp WDU6/10	3	3	
233	410 519	Terminal clamp WDU35/IK/ZA	8	8	
233	410 524	Terminal clamp WDU16,1000V	8	8	
233	410 585	Terminal clamp WEIDMÜLLER WDU 70N	8	8	
234	410 520	Cross connection WQW35/2	4	4	
234	410 525	Cross connection WQV16/2	4	4	
234	410 584	Cross connection WEIDMÜLLER WQV 70N/3	1	1	
234	410 586	Cross connection WEIDMÜLLER WQV 70N/2	4	4	
234	51 427 01	Cross connection	1	1	
235	410 522	End support WEW 35/2	2	2	
236	410 521	Partition	1	1	
239	51 460 00	El.lead through unit	1	1	



Pos. No	Part. No	Denomination	Qty/Version	
			020	190
239	51 460 01	El.lead through unit	1	1
240	51 519 00 (EX)	Spring	1	1
		ITT Part. No 607 48 01		
241	410 240	O-ring 269.3X5.7 NBR	1	1
241	410 605	O-ring 269.3X5.7 FPM	1	1
242	51 647 00	adapter	1	
242	51 633 01 (EX)	adapter		1
		ITT Part. No 607 79 01		
242	51 638 00 (EX)	adapter		1
		ITT Part. No 607 91 11		
242	51 647 00	adapter	1	
243	50 023 09	Hex.socket hd screw M12X25-A4-80	2	2
		ITT Part. No 83 04 61		
245	132 411	O-ring 399.3X5.7 NBR	1	1
245	410 603	O-ring 399.3X5.7 FPM	1	1
246	410 710	O-ring 329.79X3.53 NBR	1	1
247	410 606	O-ring 119.3X5.7 FPM	1	1
251	51 428 00	Plug	2	2
252	410 508	O-ring 17X3 NBR	2	2
252	410 511	O-ring 17X3 FPM	2	2
253	51 634 00	Cooling jacket	1	1
254	51 635 00	Flow diffusor	1	1
256	51 637 00	Wire bow	4	4
257	410 599	Washer SS 120X150X3.5	1	1
264	132 312	Plain washer (33)-35 MM	8	8
264	132 336	Plain washer (20)-32 MM	8	8
264	132 341	Plain washer (37)-39 MM	8	4
264	410 598	Plain washer 44.5X52X2-A2-70	8	8
265	410 114	Seal sleeve (20)-23 MM	2	4
265	410 115	Seal sleeve (23)-26 MM	4	4
265	410 116	Seal sleeve (26)-29 MM	4	4
265	410 117	Seal sleeve (29)-32 MM	4	4
265	410 118	Seal sleeve (32)-35 MM	4	4
265	410 612	Seal sleeve (36)-38 MM	4	2
265	410 613	Seal sleeve (38)-41 MM	4	2
265	410 614	Seal sleeve (41)-43 MM	4	4
266	51 025 02	Ring	2	2
270	51 118 00	Lock washer		1
313	410 604	O-ring 89.5X3 FPM	1	1
800	410 697	O-ring kit	1	1
900	51 619 03	Basic repair kit	1	1

Pos. No	Part. No	Denomination	Qty/Ver- sion	
			020	190
912	410 508	O-ring 17X3 NBR	3	3
912	410 511	O-ring 17X3 FPM	3	3

\* piece goods

# Hydraulic Parts

## Overview

### Table of Contents

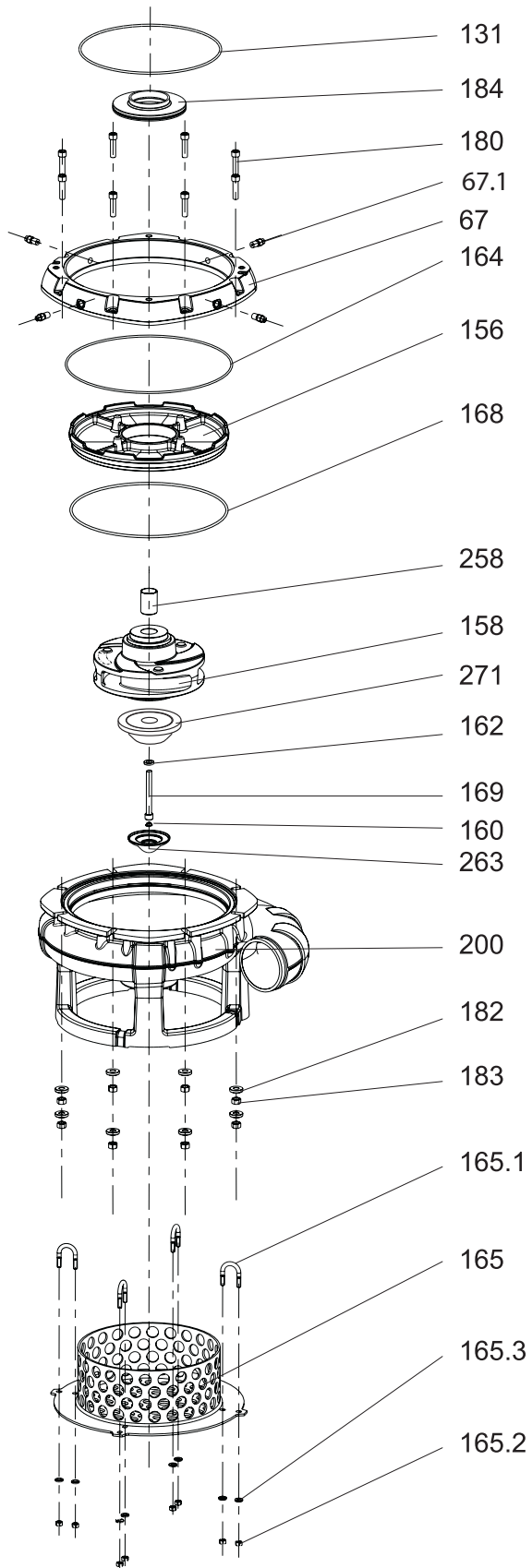
---

This chapter contains the following topics:

<b>Topic</b>	
Without Agitator .....	20
With Agitator .....	21
List.....	22

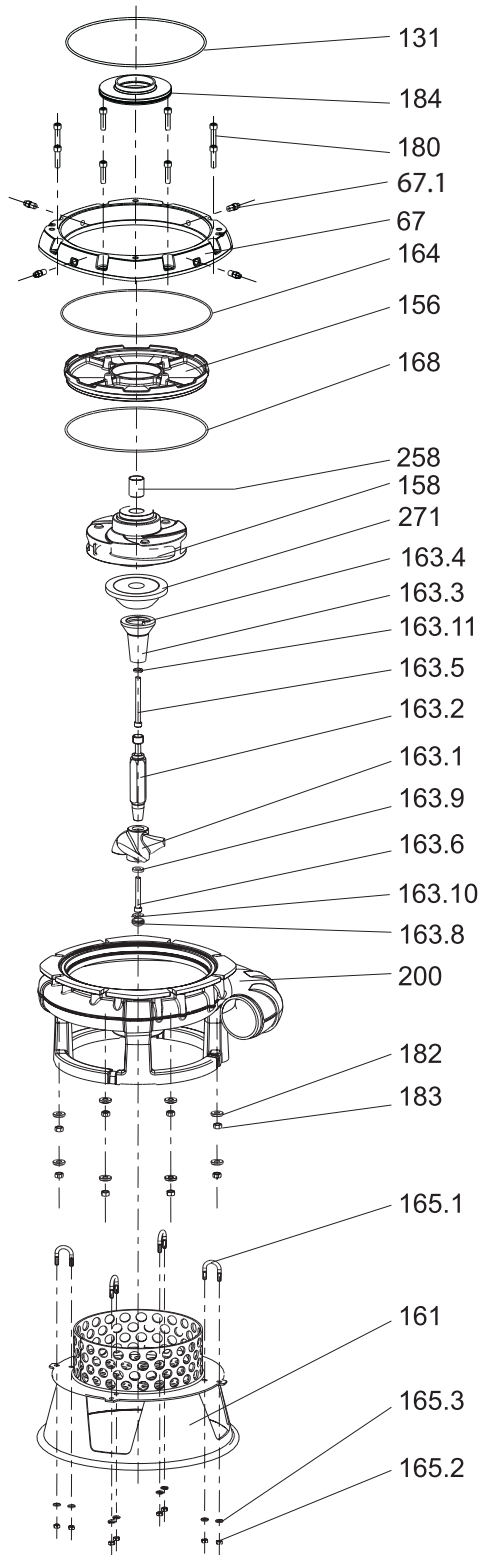
---

# Without Agitator



20075A

# With Agitator



20076A

# List

Pos. No	Part. No	Denomination	Qty/Version	
			020	190
67	51 528 00	adapter	1	1
67.1	51 599 00	Nozzle	4	4
131	132 411	O-ring 399.3X5.7 NBR	1	1
131	410 603	O-ring 399.3X5.7 FPM	1	1
156	51 500 00	Wearing cover	1	1
158	51 508 50	Impeller 50Hz.	1	1
158	51 508 51	Impeller 60Hz.	1	1
160	50 437 00	Protective plug F11	1	1
161	51 501 00	Stand compl.	1	1
162	410 557	Plain washer STAINLESS STEEL A4	1	1
163	51 505 01	Agitator unit	1	1
163.1	51 412 00	Propeller	1	1
163.11	410 557	Plain washer STAINLESS STEEL A4	1	1
163.2	51 513 00	Shaft	1	1
163.3	51 502 00	Barrel nut	1	1
163.4	410 556	Tension pin	1	1
163.5	410 607	Hex.socket hd screw M16X180-A4-70	1	1
163.6	410 577	Hex.socket hd screw M16X120-A4 80 ITT Part. No 83 04 60	1	1
163.8	51 406 00	Plug	1	1
163.9	51 417 00	Washer	1	1
164	410 242	O-ring		1
164	410 565	O-ring	1	
165	51 514 00	Strainer compl.	1	1
165.1	51 600 00	Bracket	4	4
165.2	132 280	Hexagon nut M12-A2-70	8	8
165.3	132 424	Plain washer 12-A2-170	8	8
168	410 242	O-ring	1	
168	410 565	O-ring		1
169	410 597	Hex.socket hd screw ITT Part.No 82 01 19	1	1
180	410 553	Hex.socket hd screw M16X60-A4-80 ITT Part. No 83 04 58	8	8
182	51 470 00	Plain washer	8	8
183	132 256	Hexagon nut M16-A2-70	8	8
184	51 529 00	Wear protection	1	1
200	51 496 00	Pump housing	1	1

Pos. No	Part. No	Denomination	Qty/Ver- sion	
			020	190
258	51 532 00	Sleeve unit	1	1
263	51 497 00	Wear protection	1	1
271	51 498 00	Sleeve	1	1



Grindex AB • Box 7025 • SE-174 07 Sundbyberg • Sweden • Tel +46 8 606 66 00 • Fax +46 8 745 53 28 • [marketing@grindex.com](mailto:marketing@grindex.com)

*© Grindex AB. The original instruction is in English. All non-English instructions are translations of the original instruction.*