

## Parts List

---

**Bravo 400 — 8148.020/.190**



[www.grindex.com](http://www.grindex.com)





# Parts List

Bravo 400 — 8148.020/190

## Overview

---

### Table of Contents

This publication contains the following topics:

### Topic

Introduction .....	4
Practical Information .....	5
Data Plate Interpretation.....	6
Order parts.....	10
Motor Parts .....	11
Non Explosion-proof.....	12
Explosion-proof.....	14
List.....	16
Hydraulic Parts .....	21
Without Agitator .....	22
With Agitator.....	23
List.....	24

---

# Introduction

## Purpose

The purpose of this manual is to give the reader information about available spare parts and accessories for the product.

---

## Recipient

The manual is principally intended for Grindex

- customers
  - service personnel
  - sales personnel
- 

## Contact

For more information

- contact your Grindex representative
  - visit <http://www.grindex.com/>
- 

## Reference

More information about the product is available in the following documents:

- Installation, Operation and Maintenance
  - Grindex accessories list
-

# Practical Information

## Overview

### Table of Contents

---

This chapter contains the following topics:

#### Topic

Data Plate Interpretation .....	6
Data Plate.....	6
FM approved version .....	8
EN approved version .....	9
Order parts .....	10

---

# Data Plate Interpretation

## Introduction

The Grindex product is always provided with data plates:

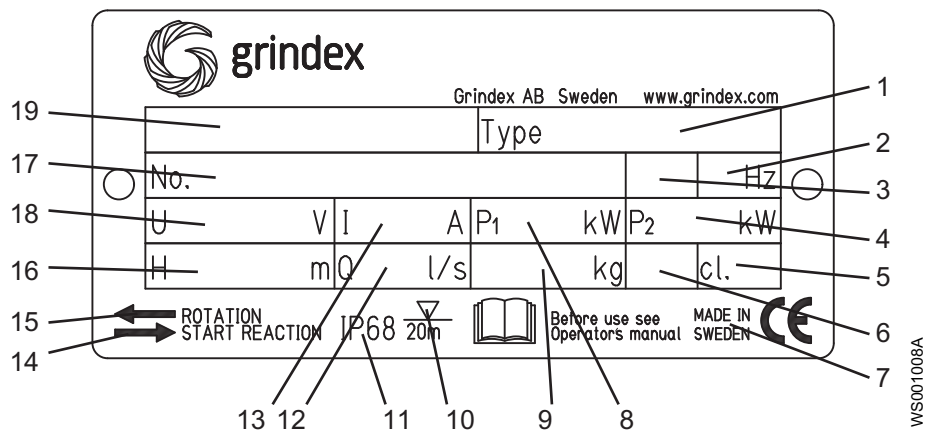
- The data plate is used on all products.
- The approval plate is added to all explosion proof products.

## Data Plate

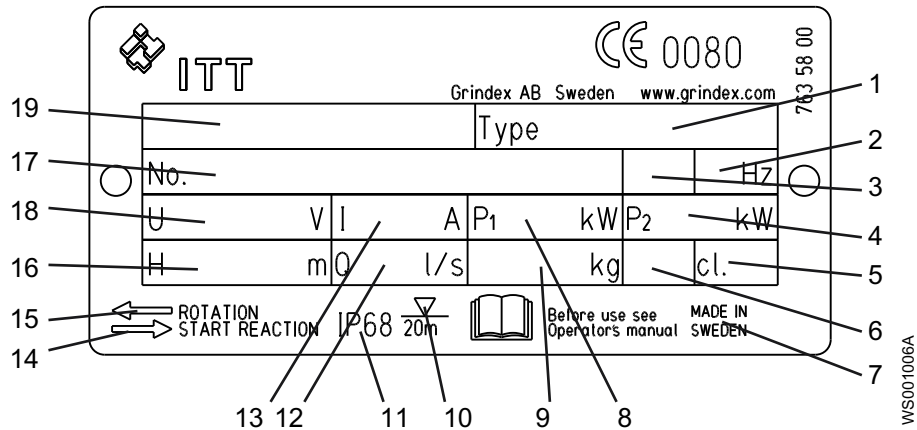
The product may only be operated within the parameters stated on the data plate.

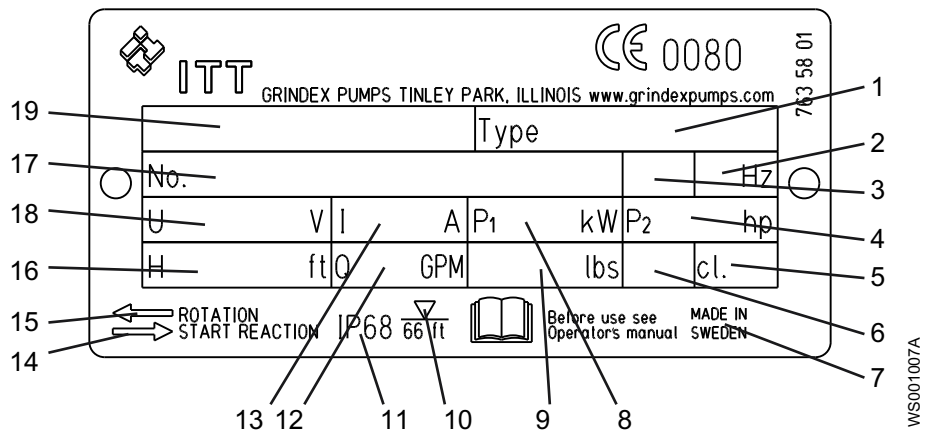
## Illustration

This is the data plate for non explosion-proof version .020:



These are the data plates for explosion-proof version .190:





## Field description

This table shows the fields on the general data plate, and which information each field contains.

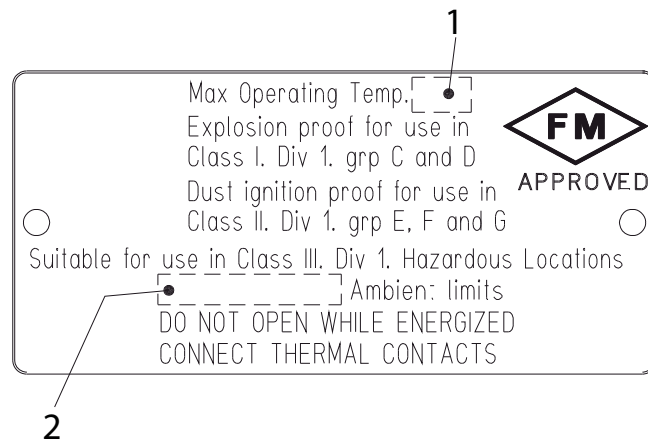
Field	Description	Field	Description
1	Pump type number	11	Degree of protection
2	Frequency	12	Maximum capacity
3	Phases, type of current	13	Rated current
4	Rated shaft power	14	Direction of the start reaction
5	Thermal class	15	Direction of the impeller rotation
6	Locked rotor code-letter	16	Maximum head
7	Country of origin	17	Serial number
8	Maximum power consumption	18	Rated voltage
9	Product weight	19	Pump model
10	Maximum submersion depth	-	-

## FM approved version

---

### Illustration

This is an illustration of an approval plate for the FM approved product version.



### Field description

This table shows the fields on the approval plate, and which information each field contains.

Field	Description
1	Temperature class
2	Maximum ambient temperature

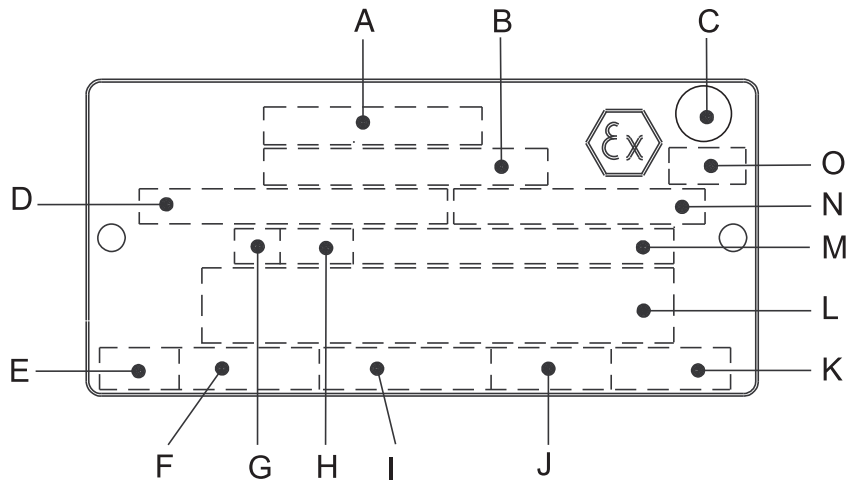
---



## EN approved version

### Illustration

This is an illustration of an approval plate for the EN approved product version.



### Field description

This table shows the fields on the approval plate.

Field	Description	Field	Description
A	Approval	I	Input power
B	Approval authority + Approval Number	J	Rated speed
C	Approval for Class 1	K	Controller
D	Approved drive unit	L	Additional information
E	Stall time	M	Max. ambient temperature
F	Starting current / Rated current	N	Serial number
G	Duty class	O	ATEX marking
H	Duty factor	-	-

## Order parts

---

### **Order**

When ordering spare parts, state product number and serial number of the product, spare part number and quantity.

---

### **Requirements**

Genuine Grindex parts must always be used for repairs if the product is to fulfill requirements and obtain official approval.

---

### **Specially Approved Products**

Spare parts marked with (EX) after the part number are subject to dimensional accuracy inspection.

---

# Motor Parts

## Overview

### Table of Contents

---

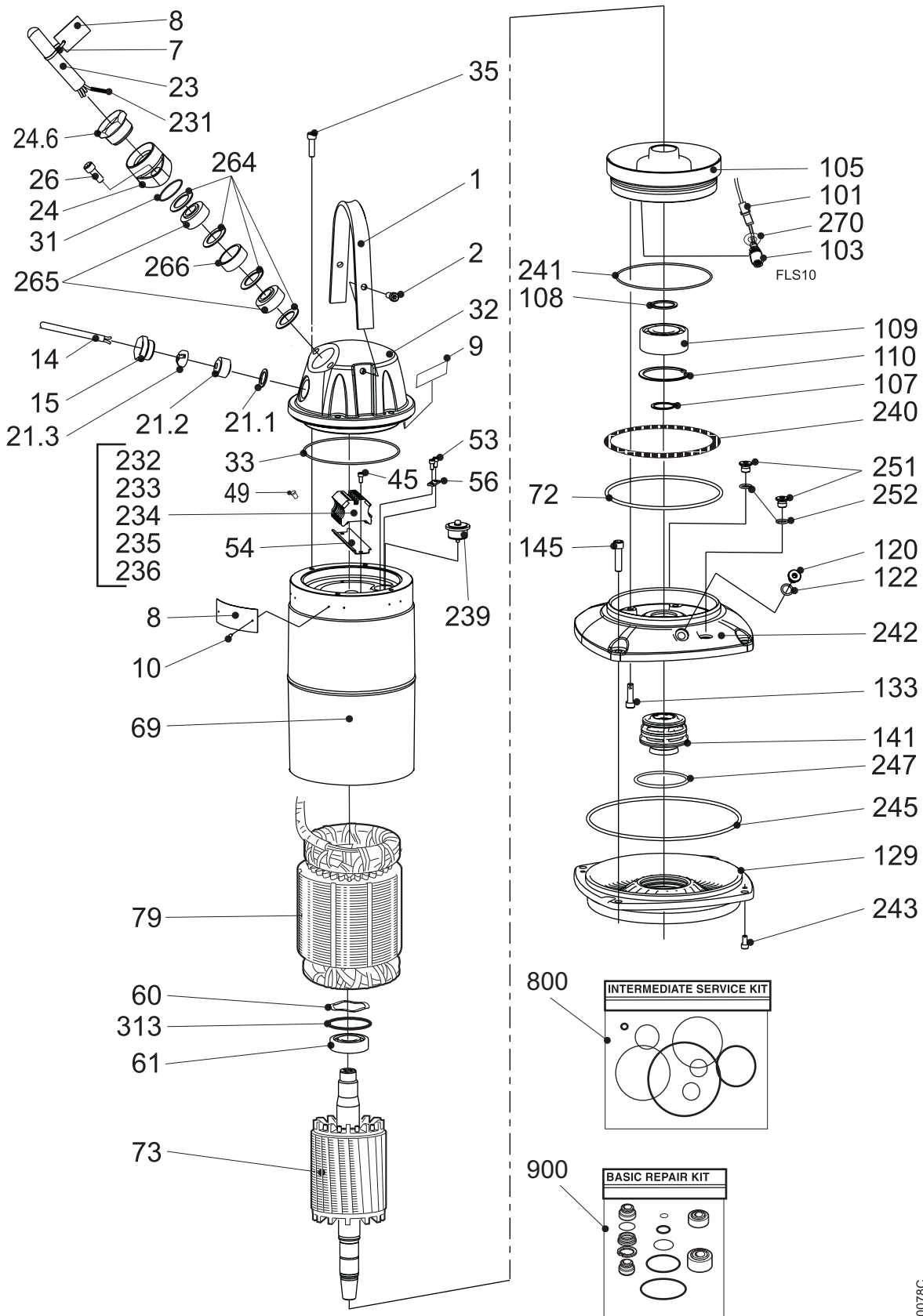
This chapter contains the following topics:

<b>Topic</b>	
Non Explosion-proof.....	12
Without Cooling Jacket .....	12
With Cooling Jacket.....	13
Explosion-proof.....	14
Without Cooling Jacket .....	14
With Cooling Jacket.....	15
List.....	16

---

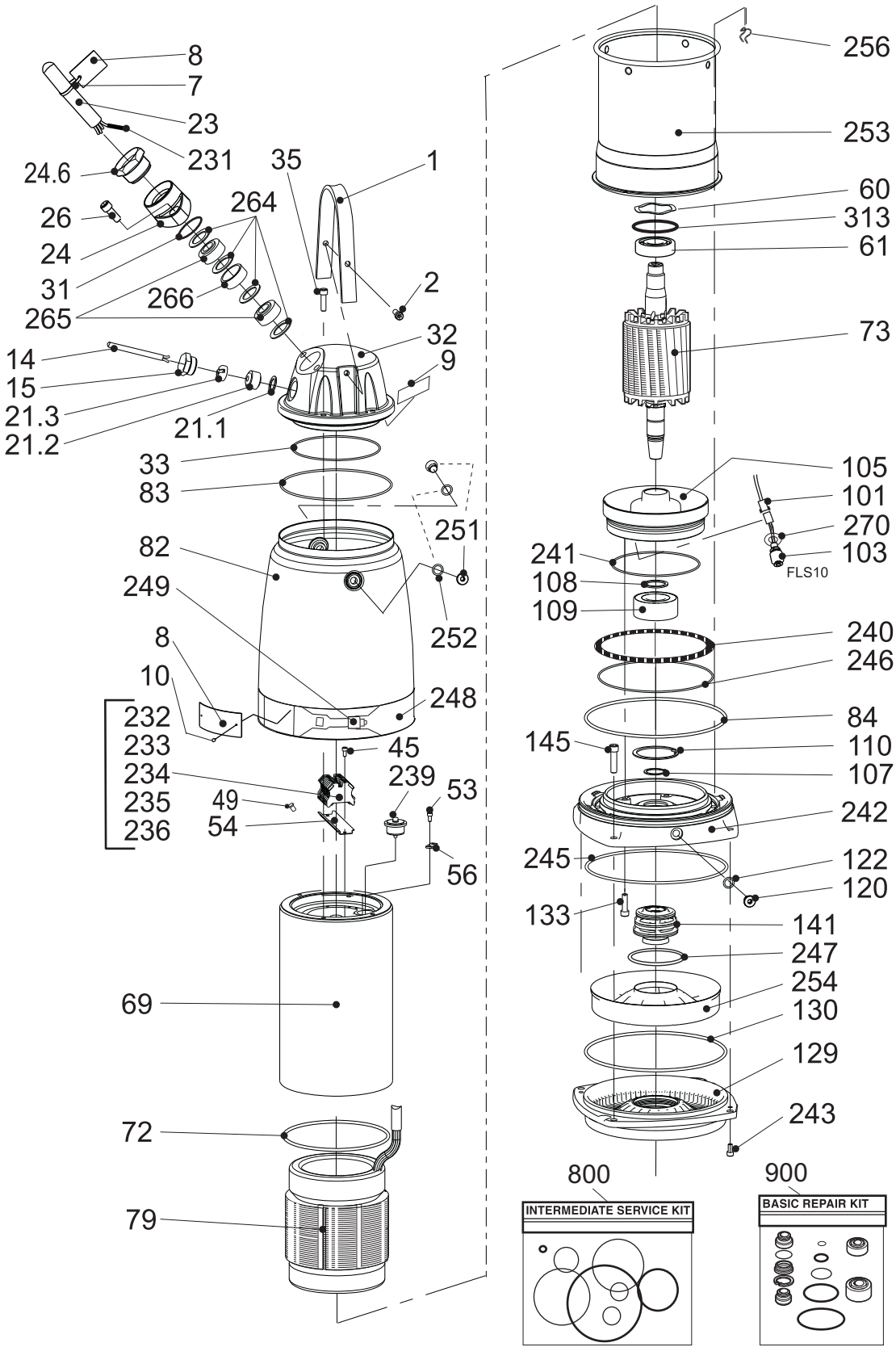
# Non Explosion-proof

## Without Cooling Jacket



20078C

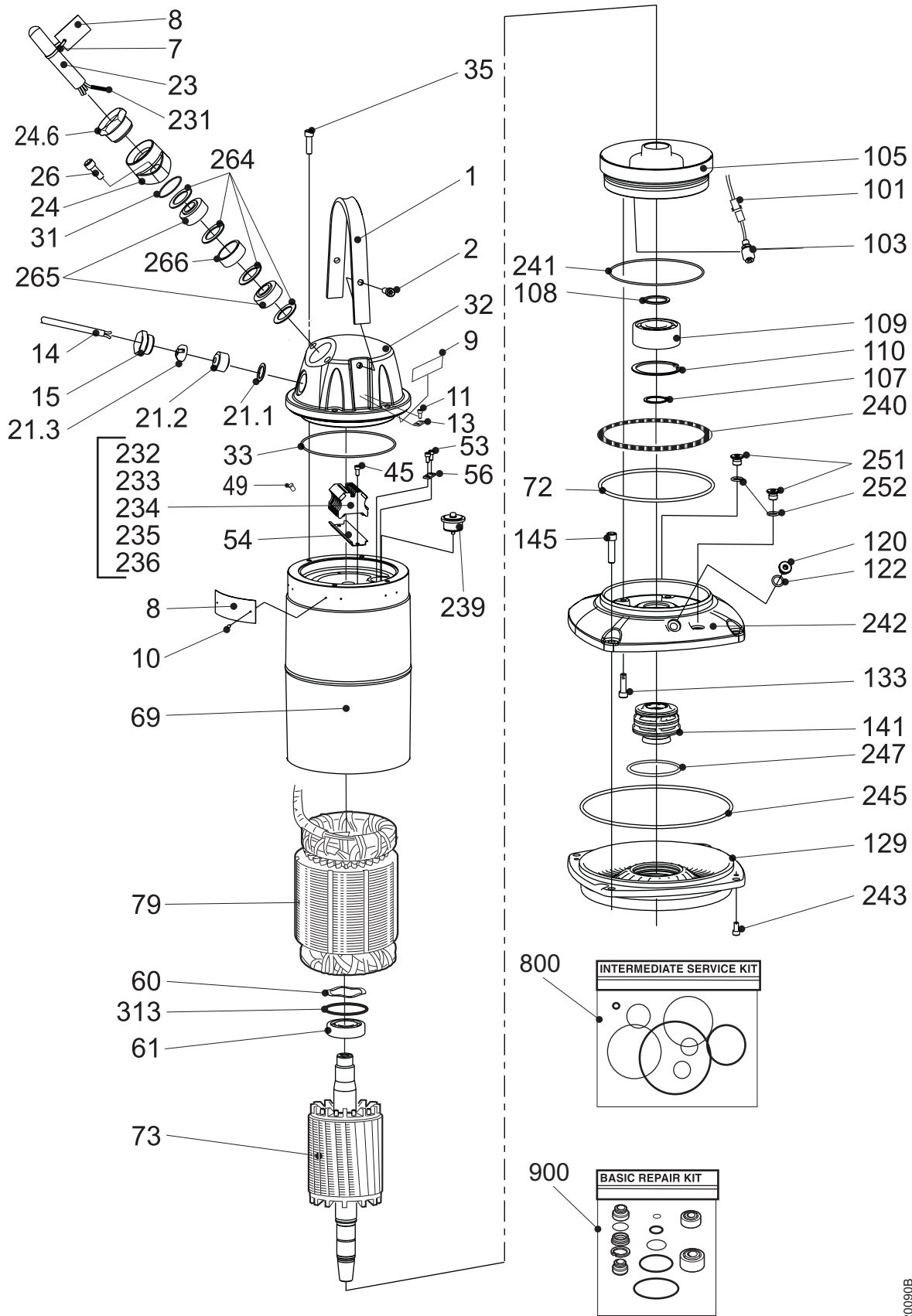
# With Cooling Jacket



20089B

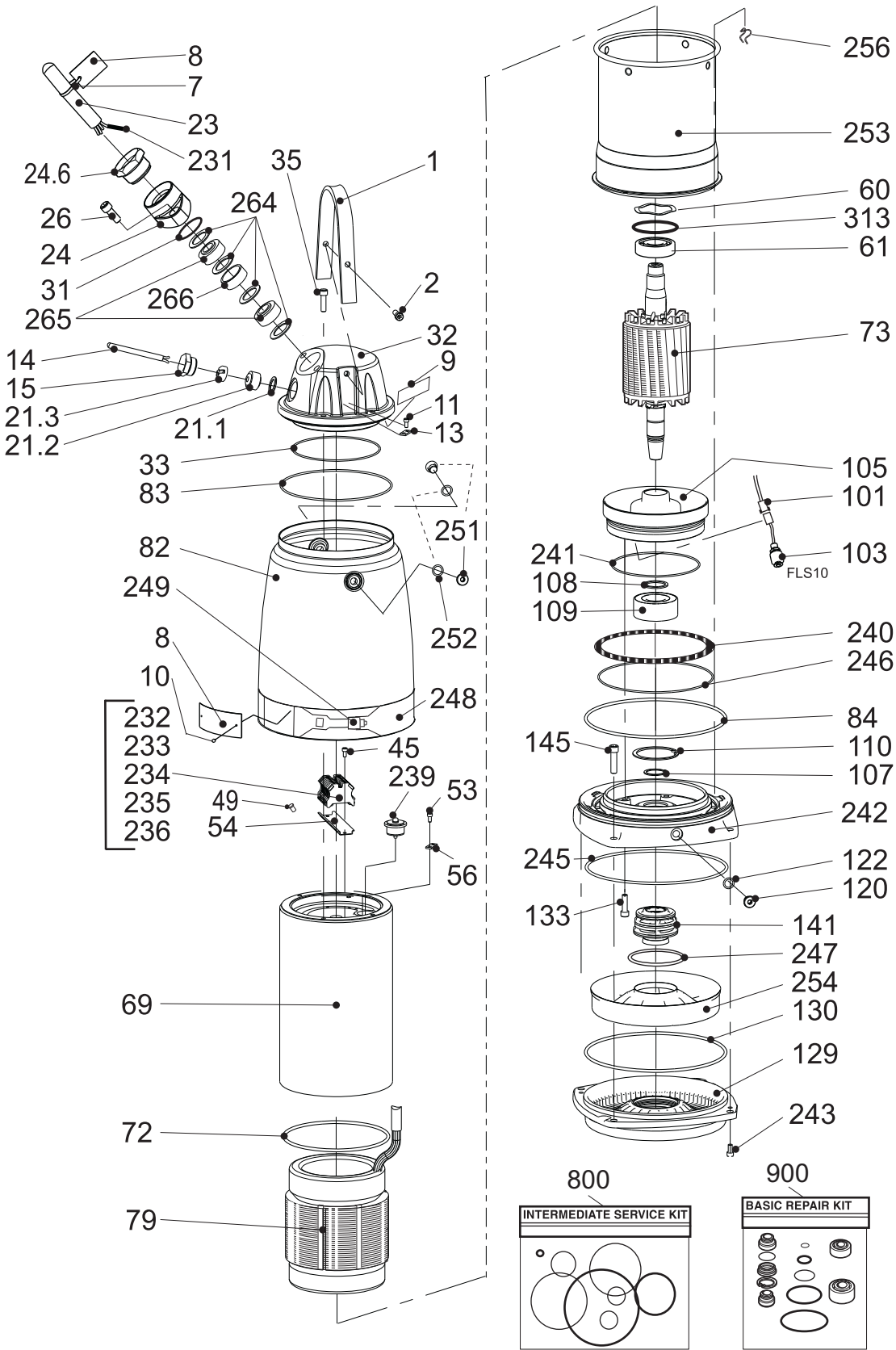
# Explosion-proof

## Without Cooling Jacket



20090B

# With Cooling Jacket



20091B

# List

Pos. No	Part. No	Denomination	Qty/Ver- sion	
			020	190
1	51 430 00	Lifting handle	1	1
2	410 518	Hex.socket hd screw M10X35-A4-80	2	2
7	410 517	Cable tie 200X2.4 PA 6/6 -55+105	1	1
7	50 457 02	Cable tie 292X3.5;NYLON;+125 C	1	1
8	51 648 00	Certificate plate		2
8	50 888 00	Plate-blank	1	1
8	50 888 00	Plate-blank	1	1
8	51 614 00	Certificate plate		1
9	410 526	Marking strip 5-GW(T1;T2;T15;T16)	1	1
9	410 527	Marking strip W5;V5;U5;V2;W1;U2;V1;W2;U	1	1
9	50 918 00	Connection plate SCREENED CABLE	1	1
9	51 426 00	Connection plate	1	1
9	51 438 00	Plate	1	1
9	51 440 00	Connection plate	1	1
9	51 441 00	Connection plate	1	1
10	410 000	Drive screw 4X5-A2-70	4	6
11	410 503	Hex.socket hd screw M6X12-A2-70		4
13	50 902 00	Earthing plate		1
14	410 350	Control cable SUBCAB 7X1.5 MM2 OD=15-17	*	*
15	51 407 00	Gland screw FOR CABLE ENTRY	1	1
21.1	50 127 04	Plain washer (10)-22 MM	1	1
21.2	410 043	Seal sleeve (10)-12 MM	1	1
21.2	410 045	Seal sleeve (14)-16 MM	1	1
21.3	50 926 00	Cable clip (10)-12 MM	1	1
21.3	50 926 02	Cable clip (14)-16 MM	1	1
23	410 061	Motor cable SCREEN S3X2.5+3X2.5/3+4X1	*	*
23	410 063	Motor cable 7G2.5+2X1.5 MM2 OD=20-23	*	*
23	410 066	Motor cable 14AWG/7 OD=18-20MM	*	*
23	410 068	Motor cable 12AWG/7 OD=20-22 MM	*	*



Pos. No	Part. No	Denomination	Qty/Version	
			020	190
23	410 069	Motor cable 10AWG/3-2-1-GC OD=20-22MM	*	*
23	410 124	Motor cable SCREEN S3X6+3X6/3+4X1.5	*	*
23	410 126	Motor cable 4G6+2X1.5 MM2 OD=23-25 MM	*	*
23	410 127	Motor cable 4G10+2X1.5 MM2 OD=26-28MM	*	*
23	410 129	Motor cable 4G4+2X1.5 MM2 OD=20-22 MM	*	*
23	410 130	Motor cable 7G4+2X1.5 MM2 OD=22-26 MM	*	*
23	410 131	Motor cable 7G6+2X1.5 MM2 OD=24-28 MM	*	*
23	410 134	Motor cable 8AWG/3-2-1-GC OD=27-29 MM	*	*
23	410 135	Motor cable 6AWG/3-2-1-GC OD=30-32 MM	*	*
23	410 136	Motor cable 4AWG/3-2-1-GC OD=33-35 MM	*	*
23	410 347	Motor cable SUBCAB S3X16+3X16/3+4X1.5	*	*
23	50 777 00	Motor cable 4G2.5+2X1.5 MM2 OD=17-18	*	*
24	51 411 00 (EX)	Entrance flange SS	ITT Part. No 597 87 01	1 1
24	51 411 01 (EX)	Entrance flange ISO 228/1-G2	ITT Part. No 597 87 04	1 1
24	51 411 02 (EX)	Entrance flange 2-11.5 NPT	ITT Part. No 597 87 08	1 1
24	51 411 03 (EX)	Entrance flange 1 1/2-11.5 NPT	ITT Part. No 597 87 11	1 1
24	51 423 00 (EX)	Entrance flange	ITT Part. No 642 17 01	1 1
24.6	51 419 00	Gland screw 1 1/4" ISO.FOR METALHOSE	For use with metal hose. ITT Part. No 633 11 01	1 1
24.6	51 419 01	Gland screw 1 1/2" NPT.FOR METALHOSE	For use with metal hose. ITT Part. No 633 11 04	1 1
26	410 374	Hex.socket hd screw M12X45-A4-80	ITT Part. No 83 04 53	2 2
31	410 086	O-ring 49.5X3 NBR		1 1
31	410 513	O-ring 49.5X3 FPM		1 1
32	51 429 00	Entrance cover		1
32	51 429 01	Entrance cover		1
32	51 429 02 (EX)	Entrance cover	ITT Part. No 642 14 01	1
32	51 429 03 (EX)	Entrance cover	ITT Part. No 642 14 05	1
33	410 022	O-ring 175X3 NBR		1 1

Pos. No	Part. No	Denomination	Qty/Version	
			020	190
33	410 506	O-ring 175X3 FPM	1	1
35	410 518	Hex.socket hd screw M10X35-A4-80	4	4
45	410 503	Hex.socket hd screw M6X12-A2-70	2	2
49	410 515	End sleeve H16/24	3	3
49	410 516	End sleeve H25/30	3	3
53	410 503	Hex.socket hd screw M6X12-A2-70	4	2
54	51 030 00	Rail	1	1
56	50 902 00	Earthing plate	2	2
60	410 080	Spring washer 71.5X59X0.55	1	1
61	410 100	Ball bearing 3306A-2Z/C3VT113	1	1
69	51 031 00	Stator housing	1	
69	51 031 01 (EX)	Stator housing		1
72	410 091	O-ring 209.3X5.7 NBR	1	1
72	410 512	O-ring 209.3X5.7 FPM	1	1
73	51 422 00	Shaft unit	1	1
79	51 421 01	Stator 21-18-4a	1	1
		50Hz: 690V Y, 400V D. 60Hz: 460V D.		
79	51 421 02	Stator 21-18-4a	1	1
		50Hz: 400V Y, 230V D.		
79	51 421 03	Stator 21-18-4a	1	1
		50Hz: 415 - 440V D.		
79	51 421 04	Stator 21-18-4a	1	1
		50Hz: 200 - 208V D.		
79	51 421 05	Stator 21-18-4a	1	1
		60Hz: 460V Yser, 230V Y//.		
79	51 421 06	Stator 21-18-4a	1	1
		60Hz: 380V D.		
79	51 421 07	Stator 21-18-4a	1	1
		60Hz: 380V Y.		
79	51 421 08	Stator 21-18-4a	1	1
		50Hz: 500V D. 60Hz: 575 - 600V D.		
79	51 421 09	Stator 21-18-4a	1	1
		50Hz: 660V Y, 380V D. 60Hz: 440V D.		
82	51 607 00	Cooling jacket OUTER	1	1
		Standard		
82	51 607 01	Cooling jacket OUTER	1	1
		Stainless steel		
83	410 720	O-ring 221.84X3.53 FPM	1	1
83	50 772 89	O-ring 221.84X3.53 NBR	1	1
84	410 507	O-ring 279.3X5.7 FPM	1	1
84	50 037 32	O-ring 279.3X5.7 NBR	1	1
101	50 698 00	Cable unit FLS10	1	1
103	50 486 01 (EX)	Level sensor FLS10	1	1
		ITT Part. No 663 04 00		
105	51 032 00	Bearing holder	1	
105	51 032 01 (EX)	Bearing holder		1
		ITT Part. No 642 10 01		
107	410 081	Retaining ring SGA 40	1	1

Pos. No	Part. No	Denomination	Qty/Version		
			020	190	
108	410 079	Supporting washer 40X50X2.5- SPRING STEEL	1	1	
109	410 101	Ball bearing 3308A-2Z/C3VT113	1	1	
110	410 093	Retaining ring JB 90	1	1	
120	51 428 00	Plug	1	1	
122	410 508	O-ring 17X3 NBR	3	3	
122	410 511	O-ring 17X3 FPM	3	3	
129	51 420 00	Seal housing cover	1	1	
130	410 721	O-ring 230X3 NBR	1	1	
133	410 518	Hex.socket hd screw M10X35-A4-80	ITT Part. No 83 04 56	6	6
141	51 028 20	Mechanical seal	1	1	
141.1	51 063 32	Retaining ring	1	1	
145	410 374	Hex.socket hd screw M12X45-A4-80	ITT Part. No 83 04 53	4	4
231	410 054	Shrink hose ID 6.4	*	*	
231	410 122	Shrink hose ID 9.5	*	*	
232	410 523	Terminal clamp WDU6/10	3	3	
233	410 519	Terminal clamp WDU35/IK/ZA	6	6	
233	410 524	Terminal clamp WDU16,1000V	8	8	
234	410 520	Cross connection WQW35/2	3	3	
234	410 525	Cross connection WQV16/2	4	4	
234	51 427 00	Cross connection	1	1	
234	51 427 01	Cross connection	1	1	
235	410 522	End support WEW 35/2	2	2	
236	410 521	Partition	1	1	
239	51 024 00	El.lead through unit	1	1	
239	51 409 00	El.lead through unit	1	1	
240	51 413 00 (EX)	Spring	ITT Part. No 607 48 00	1	1
241	410 022	O-ring 175X3 NBR	1	1	
241	410 506	O-ring 175X3 FPM	1	1	
242	51 597 00	adapter	Execution without cooling jacket.	1	
242	51 597 01 (EX)	adapter	Execution without cooling jacket. ITT Part. No 642 11 03		1
242	51 610 12	adapter		1	
242	51 610 13 (EX)	adapter	ITT Part. No 608 22 13		1
243	50 021 32	Hex.socket hd screw M8X16-A4-70	ITT Part. No 83 02 97	2	2
245	410 507	O-ring 279.3X5.7 FPM	1	1	
245	50 037 32	O-ring 279.3X5.7 NBR	1	1	
246	410 721	O-ring 230X3 NBR	1	1	

Pos. No	Part. No	Denomination	Qty/Version	
			020	190
247	410 097	O-ring 84.4X4 FPM	1	1
248	51 611 00	Strip	1	1
249	410 719	Clip	1	1
251	51 428 00	Plug	2	2
252	410 508	O-ring 17X3 NBR	2	2
252	410 511	O-ring 17X3 FPM	2	2
253	51 608 00	Cooling jacket INNER	1	1
254	51 609 00	Flow diffusor	1	1
256	51 612 00	Wire bow	4	4
264	132 312	Plain washer (33)-35 MM	4	4
264	132 334	Plain washer (14)-20 MM	4	4
264	132 336	Plain washer (20)-32 MM	4	4
265	410 113	Seal sleeve (17)-20 MM	2	2
265	410 114	Seal sleeve (20)-23 MM	2	2
265	410 115	Seal sleeve (23)-26 MM	2	2
265	410 116	Seal sleeve (26)-29 MM	2	2
265	410 117	Seal sleeve (29)-32 MM	2	2
265	410 118	Seal sleeve (32)-35 MM	2	2
266	51 025 02	Ring	1	1
270	51 118 00	Lock washer		1
313	410 084	O-ring 71.2X3 FPM	1	1
800	410 695	O-ring kit	1	1
900	51 619 01	Basic repair kit	1	1

\* piece goods

# Hydraulic Parts

## Overview

### Table of Contents

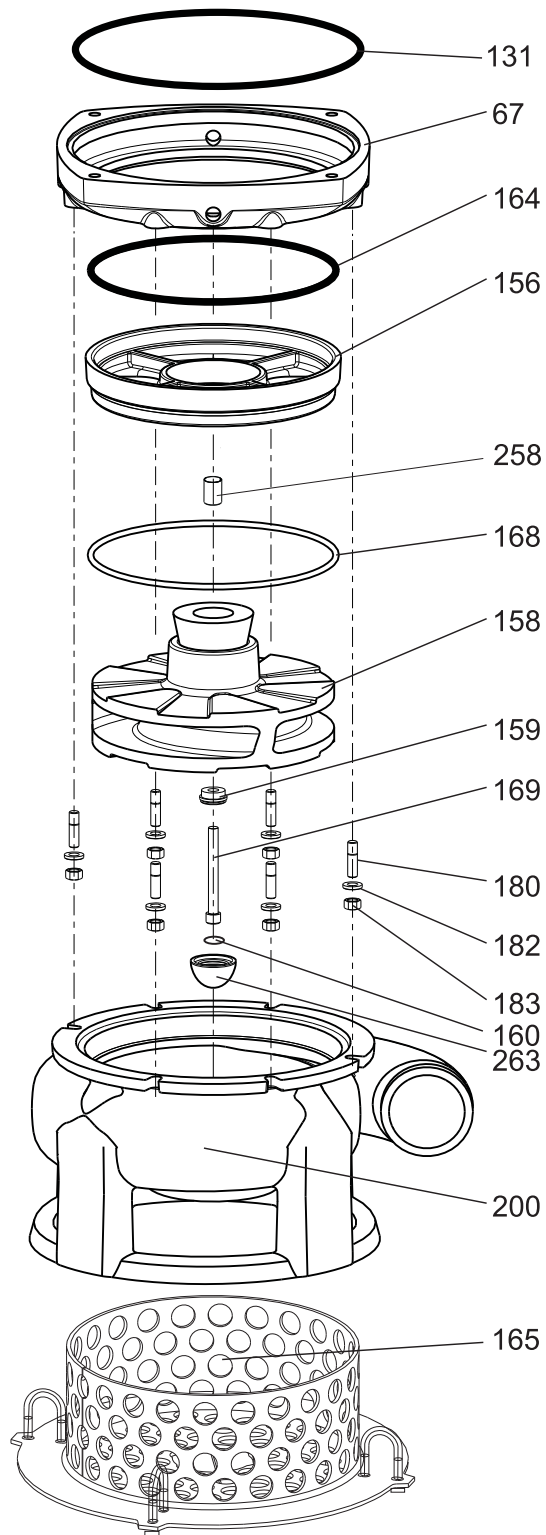
---

This chapter contains the following topics:

<b>Topic</b>	
Without Agitator .....	22
With Agitator .....	23
List.....	24

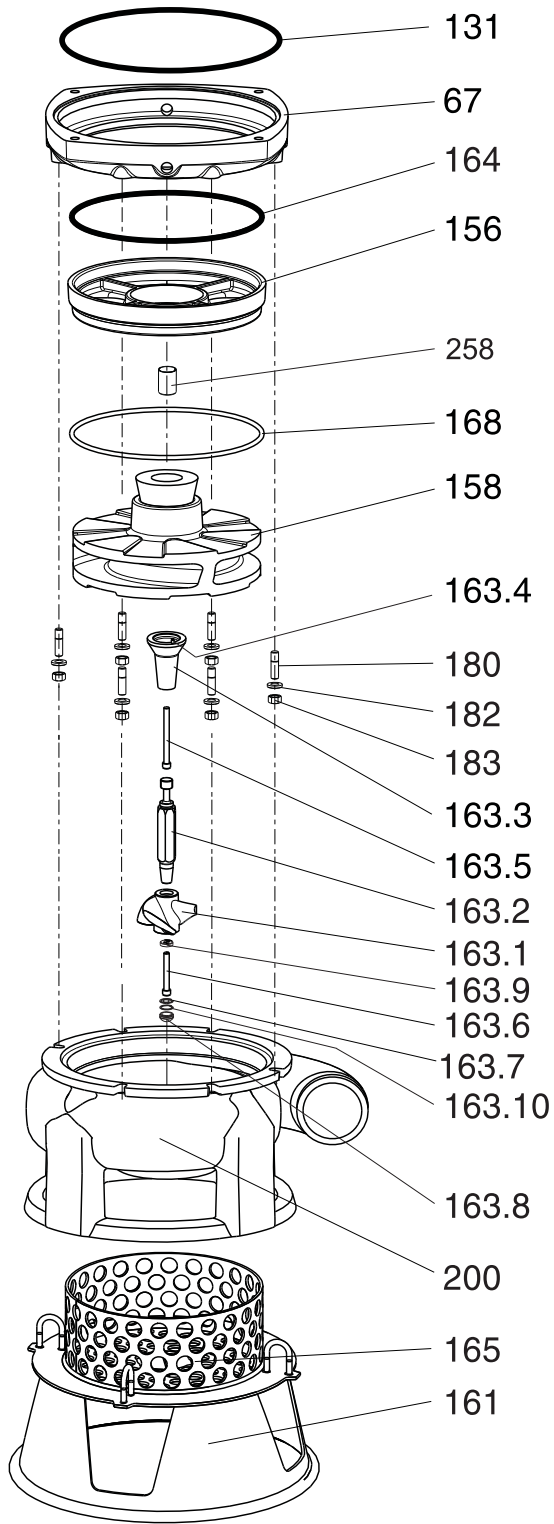
---

# Without Agitator



20080A

# With Agitator



20081A

# List

Pos. No	Part. No	Denomination	Qty/Ver- sion	
			020	190
67	51 434 00	Pump housing adapter	1	1
131	410 507	O-ring 279.3X5.7 FPM	1	1
131	50 037 32	O-ring 279.3X5.7 NBR	1	1
156	51 425 00	Wearing cover	1	1
158	51 435 00	Impeller unit 50Hz.	1	1
158	51 435 01	Impeller unit 60 Hz.	1	1
159	51 453 00	Sleeve	1	1
160	410 663	Protective plug	1	1
161	51 431 00	Stand compl.	1	1
163	51 436 00	Agitator unit	1	1
163.1	51 412 00	Propeller	1	1
163.10	410 505	Retaining ring	1	1
163.2	51 415 00	Shaft	1	1
163.3	51 416 00	Barrel nut	1	1
163.4	410 501	Parallel key	1	1
163.5	410 529	Hex.socket hd screw ITT Part. No 84 51 62	1	1
163.6	50 023 02	Hex.socket hd screw M12X80-A2-70 ITT Part. No 82 00 79	1	1
163.7	132 274	Plain washer 12-A2-A 170	1	1
163.8	51 406 00	Plug	1	1
163.9	51 417 00	Washer	1	1
164	410 510	O-ring	1	1
165	51 433 00	Strainer compl.	1	1
168	410 509	O-ring 297,8X6,99 NITRIL	1	1
169	410 529	Hex.socket hd screw ITT Part. No 84 51 62	1	1
180	410 502	Stud 12X30-A4-70	6	6
182	410 504	Plain washer STAINLESS STEEL A4	6	6
183	132 280	Hexagon nut M12-A2-70	6	6
200	51 424 00	Pump housing	1	1
258	51 442 00	Sleeve unit	1	1
263	51 454 00	Wear protection	1	1







Grindex AB • Box 7025 • SE-174 07 Sundbyberg • Sweden • Tel +46 8 606 66 00 • Fax +46 8 745 53 28 • [marketing@grindex.com](mailto:marketing@grindex.com)

*© Grindex AB. The original instruction is in English. All non-English instructions are translations of the original instruction.*