

## Parts List



[www.grindex.com](http://www.grindex.com)

---

**Bravo 200 — 8146.020/.190**





# Parts List

Bravo 200 — 8146.020/190

## Overview

---

### Table of Contents

This publication contains the following topics:

### Topic

Introduction .....	4
Practical Information .....	5
Data Plate Interpretation.....	6
Order parts.....	10
Motor Parts .....	11
Non Explosion-proof.....	12
Explosion-proof.....	13
List.....	14
Hydraulic Parts .....	19
Exploded view .....	20
List.....	21
Sump Components .....	22
Exploded view .....	23
List.....	24

---

# Introduction

## Purpose

The purpose of this manual is to give the reader information about available spare parts and accessories for the product.

---

## Recipient

The manual is principally intended for Grindex

- customers
  - service personnel
  - sales personnel
- 

## Contact

For more information

- contact your Grindex representative
  - visit <http://www.grindex.com/>
- 

## Reference

More information about the product is available in the following documents:

- Installation, Operation and Maintenance
  - Grindex accessories list
-

# Practical Information

## Overview

### Table of Contents

---

This chapter contains the following topics:

#### Topic

Data Plate Interpretation .....	6
Data Plate.....	6
FM approved version .....	8
EN approved version .....	9
Order parts .....	10

---

# Data Plate Interpretation

## Introduction

The Grindex product is always provided with data plates:

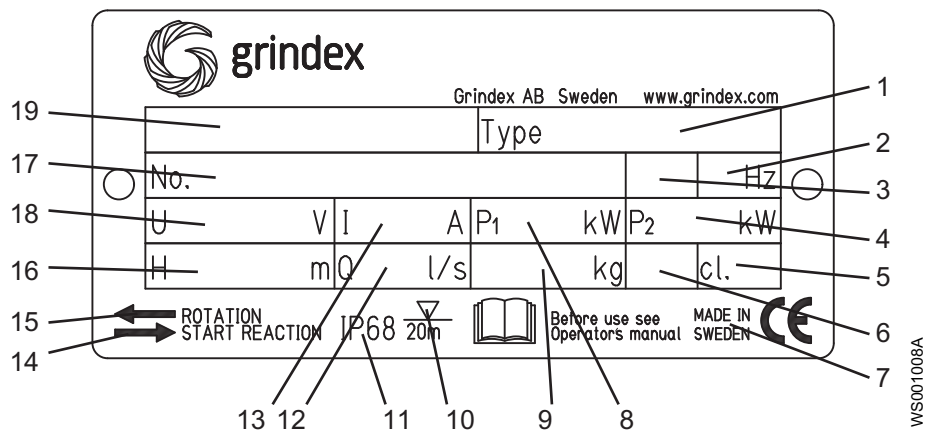
- The data plate is used on all products.
- The approval plate is added to all explosion proof products.

## Data Plate

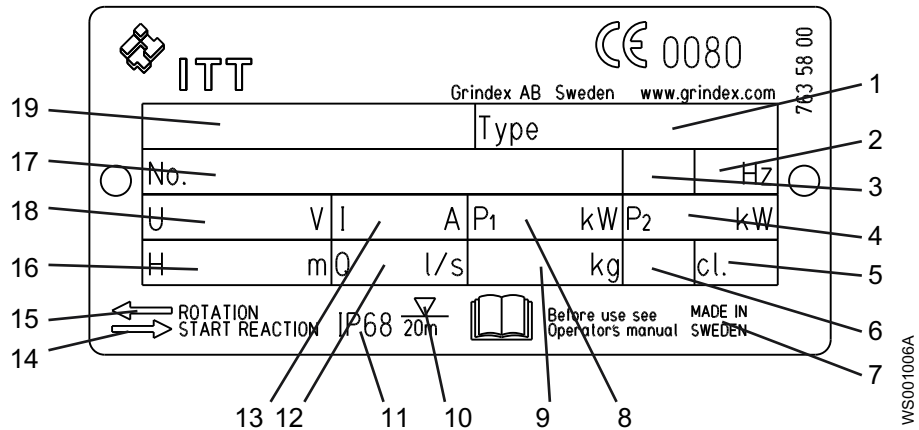
The product may only be operated within the parameters stated on the data plate.

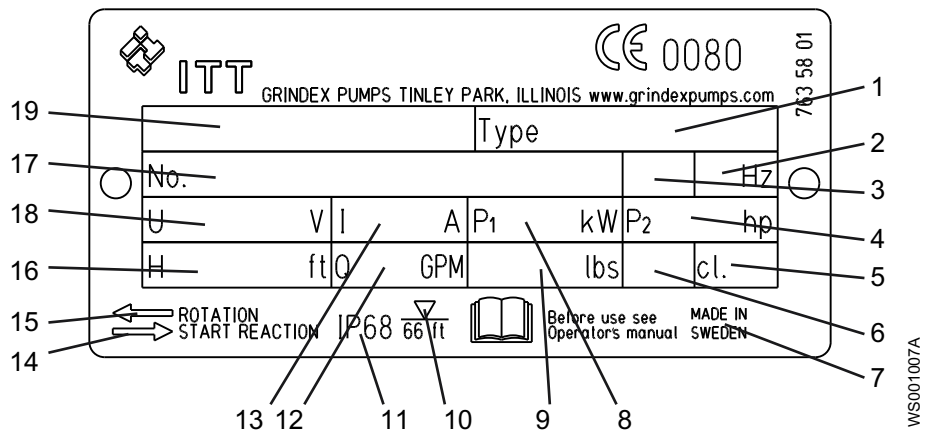
## Illustration

This is the data plate for non explosion-proof version .020:



These are the data plates for explosion-proof version .190:





## Field description

This table shows the fields on the general data plate, and which information each field contains.

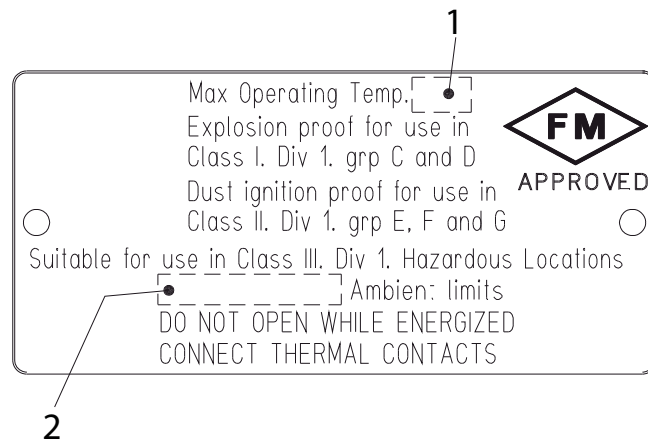
Field	Description	Field	Description
1	Pump type number	11	Degree of protection
2	Frequency	12	Maximum capacity
3	Phases, type of current	13	Rated current
4	Rated shaft power	14	Direction of the start reaction
5	Thermal class	15	Direction of the impeller rotation
6	Locked rotor code-letter	16	Maximum head
7	Country of origin	17	Serial number
8	Maximum power consumption	18	Rated voltage
9	Product weight	19	Pump model
10	Maximum submersion depth	-	-

## FM approved version

---

### Illustration

This is an illustration of an approval plate for the FM approved product version.



### Field description

This table shows the fields on the approval plate, and which information each field contains.

Field	Description
1	Temperature class
2	Maximum ambient temperature

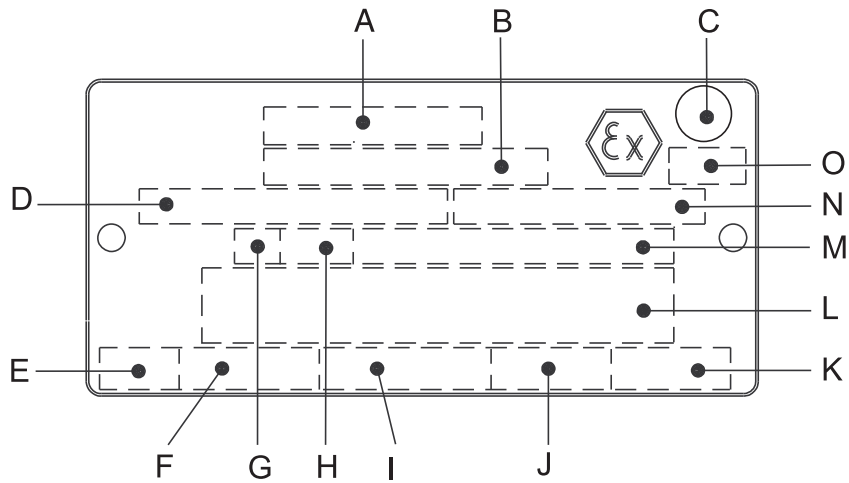
---



## EN approved version

### Illustration

This is an illustration of an approval plate for the EN approved product version.



### Field description

This table shows the fields on the approval plate.

Field	Description	Field	Description
A	Approval	I	Input power
B	Approval authority + Approval Number	J	Rated speed
C	Approval for Class 1	K	Controller
D	Approved drive unit	L	Additional information
E	Stall time	M	Max. ambient temperature
F	Starting current / Rated current	N	Serial number
G	Duty class	O	ATEX marking
H	Duty factor	-	-

## Order parts

---

### **Order**

When ordering spare parts, state product number and serial number of the product, spare part number and quantity.

---

### **Requirements**

Genuine Grindex parts must always be used for repairs if the product is to fulfill requirements and obtain official approval.

---

### **Specially Approved Products**

Spare parts marked with (EX) after the part number are subject to dimensional accuracy inspection.

---

# Motor Parts

## Overview

### Table of Contents

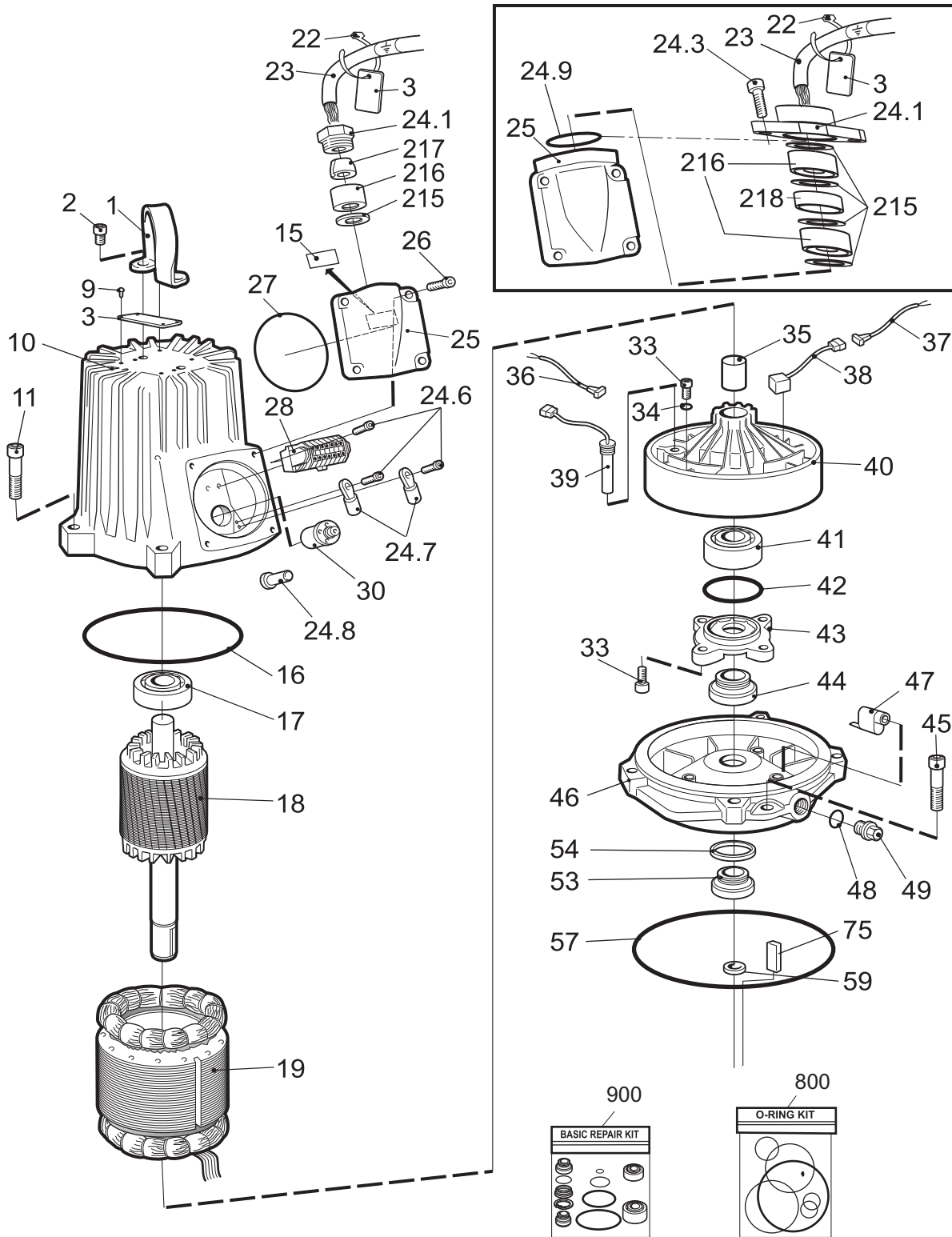
---

This chapter contains the following topics:

<b>Topic</b>	
Non Explosion-proof.....	12
Explosion-proof.....	13
List.....	14

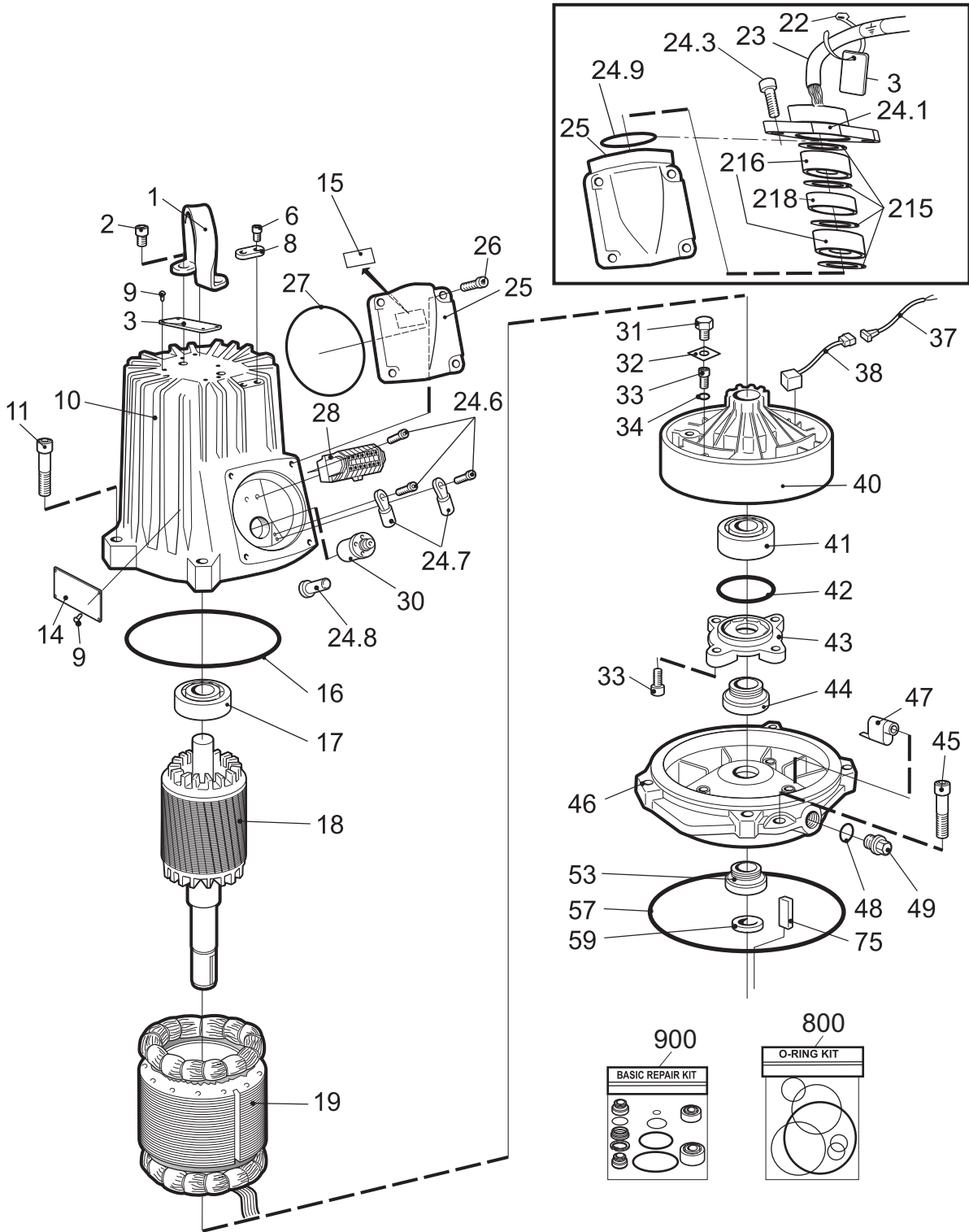
---

# Non Explosion-proof



20069C

# Explosion-proof



20088B

# List

Pos. No	Part. No	Denomination	Qty/Version		
			020	190	
1	51 587 00	Lifting handle	1	1	
2	50 022 17	Hex.socket hd screw M10X25-A4-70	ITT Part. No 83 03 23	2	2
3	50 888 00	Plate-blank	Use 50 907 00 (EU), 50 907 01 (US) as spare part for non explosion-proof version.	1	1
3	50 888 00	Plate-blank	Use 51 633 00 (EU), 51 633 02 (US) as spare part for explosion-proof version. ITT Part. No 763 58 00 and 763 58 01 resp.	1	1
6	410 724	Hex.socket hd screw M5X12-A4-70	ITT Part. No 83 03 58		2
8	51 615 00	Earthing plate			1
9	410 000	Drive screw 4X5-A2-70	ITT Part. No 443 53 05	6	10
10	51 566 00	Stator housing		1	
10	51 566 05 (EX)	Stator housing	ITT Part. No 443 53 05		1
11	410 725	Hex.socket hd screw M10X60-A4-70	ITT Part. No 83 03 30	4	4
14	51 648 00	Certificate plate	ITT Part. No 630 69 02		2
14	51 614 00	Certificate plate	ITT Part. No 752 20 00		1
15	50 899 00	Connection plate		1	1
15	50 918 00	Connection plate SCREENED CABLE		1	1
15	51 567 00	Connection plate (FLS+CLS)		1	
15	51 568 00	Connection plate (FLS)		1	1
15	51 569 00	Connection plate (CLS)		1	
15	51 578 00	Connection plate		1	1
15	51 579 00	Connection plate		1	1
16	410 546	O-ring 239.5X5.7 NBR		1	1
17	410 635	Ball bearing 6207,35X72X17		1	1
18	51 583 01	Shaft unit		1	
18	51 617 00	Shaft unit			1
19	51 556 01	Stator 21-10-4a	50Hz: 690V Y, 400V D.	1	1
19	51 556 02	Stator 21-10-4a	50Hz: 400V Y, 230V D.	1	1
19	51 556 12	Stator 21-10-4a	60Hz: 440 - 460V Yser, 220 - 230V Y//.	1	1
19	51 556 28	Stator 21-10-4a	50Hz: 190 - 200V D. 60Hz: 200 - 220V D.	1	1
19	51 556 34	Stator 21-10-4a	50Hz: 380V Y, 220V D. 60Hz: 440 - 460V Y, 260V D.	1	1
19	51 556 38	Stator 21-10-4a	50Hz: 660V Y, 380V D. 60Hz: 440 - 460V D.	1	1

Pos. No	Part. No	Denomination	Qty/Version		
			020	190	
19	51 556 40	Stator 21-10-4a	50Hz: 400V D. 60Hz: 400V D.	1	
19	51 556 44	Stator 21-10-4a	50Hz: 400 - 440V D. 60Hz: 480V D.	1	1
19	51 556 50	Stator 21-10-4a	50Hz: 500V D. 60Hz: 575V D.	1	1
19	51 556 52	Stator 21-10-4a	60Hz: 575 - 600V D.	1	1
19	51 556 55	Stator 21-10-4a	50Hz: 500V D.	1	1
22	410 517	Cable tie 200X2.4 PA 6/6 -55+105		1	1
23	131 039	Motor cable 4G2.5 MM2 OD=12.5-13.5MM		*	
23	133 139	Motor cable 4G4 MM2 OD=16-17MM		*	
23	410 059	Motor cable SCREEN 3X2.5 MM2 FGB		*	
23	410 060	Motor cable SCREEN 6X2.5MM2+2X1.5 FGB		*	
23	410 061	Motor cable SCREEN S3X2.5+3X2.5/3+4X1		*	*
23	410 063	Motor cable 7G2.5+2X1.5 MM2 OD=20-23		*	*
23	410 066	Motor cable 14AWG/7 OD=18-20MM		*	
23	410 068	Motor cable 12AWG/7 OD=20-22 MM		*	
23	410 069	Motor cable 10AWG/3-2-1-GC OD=20-22MM		*	*
23	410 129	Motor cable 4G4+2X1.5 MM2 OD=20-22 MM		*	*
23	410 130	Motor cable 7G4+2X1.5 MM2 OD=22-26 MM		*	*
23	410 134	Motor cable 8AWG/3-2-1-GC OD=27-29 MM		*	*
23	410 647	Motor cable SUBC 7G 2.5 MM2		*	
23	50 777 00	Motor cable 4G2.5+2X1.5 MM2 OD=17-18		*	*
24.1	51 407 00	Gland screw FOR CABLE ENTRY		1	
24.1	51 423 00 (EX)	Entrance flange	ITT Part. No 642 17 01	1	1
24.3	410 726	Hex.socket hd screw M12X40-A4-70	ITT Part. No 83 03 48	2	2
24.6	410 619	Cutting screw TAPTITE-M6X12	ITT Part. No 82 17 61	3	3
24.7	410 636	Cable lug 2.5-6 MM2;M6		2	2
24.7	410 637	Cable lug 6.1-10 MM2;M6		1	1

Pos. No	Part. No	Denomination	Qty/Version	
			020	190
24.7	410 638	Cable lug 1-2.5 MM2;M6	2	1
24.7	410 639	Cable lug	2	
24.8	410 033	Closed end splice 5.1-10.6;(AWG 18-8) L=38	2	2
24.8	410 034	Closed end splice 3-6(AWG 12-10) L=18	1	1
24.9	410 086	O-ring 49.5X3 NBR	1	1
		Intended for 5142300		
25	51 564 00	Entrance cover	1	
25	51 564 03 (EX)	Entrance cover		1
		ITT Part. No 443 50 03		
25	51 565 00	Entrance cover	1	
26	50 021 28	Hex.socket hd screw M8X35-A4-80	4	4
		ITT Part. No 83 04 45		
27	410 018	O-ring 129.5X3.0 NBR	1	1
28.1	410 640	Terminal clamp	6	6
28.1	410 642	Terminal clamp	6	
28.2	410 642	Terminal clamp		6
28.3	410 641	End plate APPA - 11796	1	1
28.4	410 641	End plate APPA - 11796		1
28.6	410 643	End support 35X15	2	2
28.7	51 584 00	Rail 35X15	1	1
28.8	51 580 00	Marking plate		2
28.9	50 898 00	Marking tape	1	1
28.9	51 580 00	Marking plate	2	
28.9	51 586 00	Marking strip	2	2
30	51 409 00	El.lead through unit	1	1
31	51 616 00	Screw M14X1.25		3
		ITT Part. No 439 44 01		
32	51 618 00	Square washer		3
33	410 620	Cutting screw TAPTITE-M6X20	7	7
		ITT Part. No 82 17 64		
34	410 622	Sealing washer DUBO NR 301	3	3
35	51 582 01	Sleeve	1	
36	51 588 00	Cable unit	1	
37	51 588 01	Cable unit	1	1
38	51 591 00	Leakage detect.unit (FLS)	1	1
39	51 589 00	Leakage detect.unit (CLS30)	1	
40	51 581 00	Bearing holder	1	
40	51 581 01	Bearing holder STANDARD VERSION	1	
40	51 581 02 (EX)	Bearing holder EX.VERSION		1
		ITT Part. No 443 55 11		
41	410 634	Ball bearing 35X80X34.9	1	1



Pos. No	Part. No	Denomination	Qty/Version	
			020	190
42	410 623	O-ring 78X4 NBR	1	1
43	51 575 00	Bearing cover	1	1
44	51 572 00	Mechanical seal	1	1
45	410 726	Hex.socket hd screw M12X40-A4-70 ITT Part. No 83 03 48	5	5
46	51 573 00	Oil housing bottom	1	
46	51 573 01	Oil housing bottom		1
47	51 563 00	Sleeve	1	1
48	133 064	O-ring 19.2X3.0 NBR	2	2
49	133 063	Inspection screw ITT Part. No 428 22 17	2	2
53	51 593 00	Mechanical seal	1	1
54	51 592 00	Insert ring	1	
57	131 543	O-ring 249.3X5.7 NBR	1	1
59	51 558 00	Ring		1
75	410 615	Parallel key SMS 2306-8H9X7H11X45	1	1
162	410 054	Shrink hose ID 6.4	*	*
166	51 432 00	Connection plate	1	1
166	51 576 00	Connection plate	1	
215	132 334	Plain washer (14)-20 MM		4
215	132 336	Plain washer (20)-32 MM	4	4
215	50 127 04	Plain washer (10)-22 MM	1	
216	410 044	Seal sleeve (12)-14 MM	1	
216	410 045	Seal sleeve (14)-16 MM	1	
216	410 046	Seal sleeve (16)-18 MM	1	
216	410 047	Seal sleeve (18)-20 MM	1	
216	410 112	Seal sleeve (14)-17 MM		2
216	410 113	Seal sleeve (17)-20 MM		2
216	410 114	Seal sleeve (20)-23 MM	2	2
216	410 115	Seal sleeve (23)-26 MM	2	2
216	410 116	Seal sleeve (26)-29 MM	2	2
216	410 117	Seal sleeve (29)-32 MM		2
217	50 926 01	Cable clip (12)-14 MM	1	
217	50 926 02	Cable clip (14)-16 MM	1	
217	50 926 03	Cable clip (16)-18 MM	1	
217	50 926 04	Cable clip (18)-20 MM	1	
218	51 025 02	Ring	1	1
800	51 619 00	Basic repair kit	1	1
900	410 694	O-ring kit	1	1
912	133 064	O-ring 19.2X3.0 NBR Extra O-rings for Insp. screws.	4	4

Pos. No	Part. No	Denomination	Qty/Ver- sion	
			020	190
912	410 018	O-ring 129.5X3.0 NBR Extra O-rings for Entrance cover.	1	1

\* piece goods

# Hydraulic Parts

## Overview

### Table of Contents

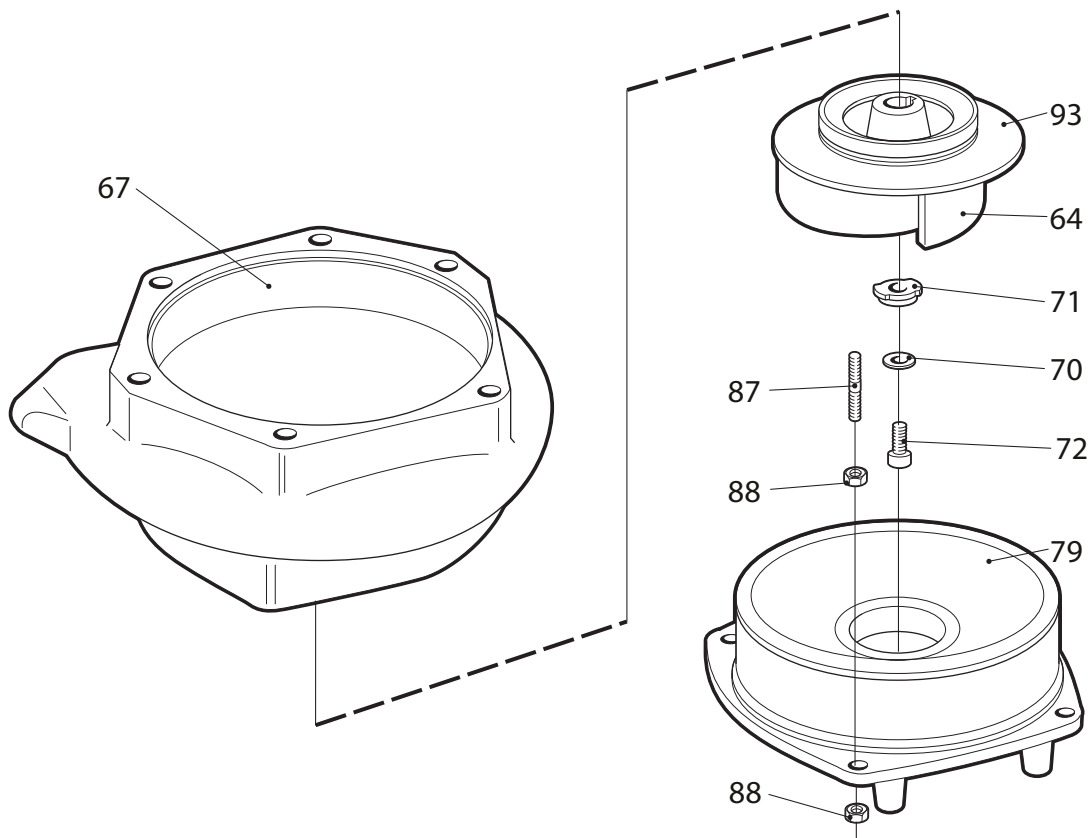
---

This chapter contains the following topics:

<b>Topic</b>	
Exploded view .....	20
List.....	21

---

# Exploded view



20070A

# List

Pos. No	Part. No	Denomination	Qty/Version	
			020	190
64	51 537 00	Impeller 50Hz.	1	1
64	51 537 01	Impeller 60Hz.	1	1
67	51 535 00	Pump housing	1	1
70	410 210	Plain washer A4-A170	1	1
71	51 542 00	Square nut	1	1
72	50 023 05	Hex.socket hd screw MC6S 12X40-2343	1	1
		ITT Part. No 84 42 54		
79	51 539 00	Suction cover	1	1
87	132 442	Stud 12X80-A2-70	4	4
87	410 722	Stud 12X35-A4-70	2	2
88	410 011	Hexagon nut M12-A4-70	8	1
93	51 538 00	Wear protect.compl.	1	1

# Sump Components

## Overview

### Table of Contents

---

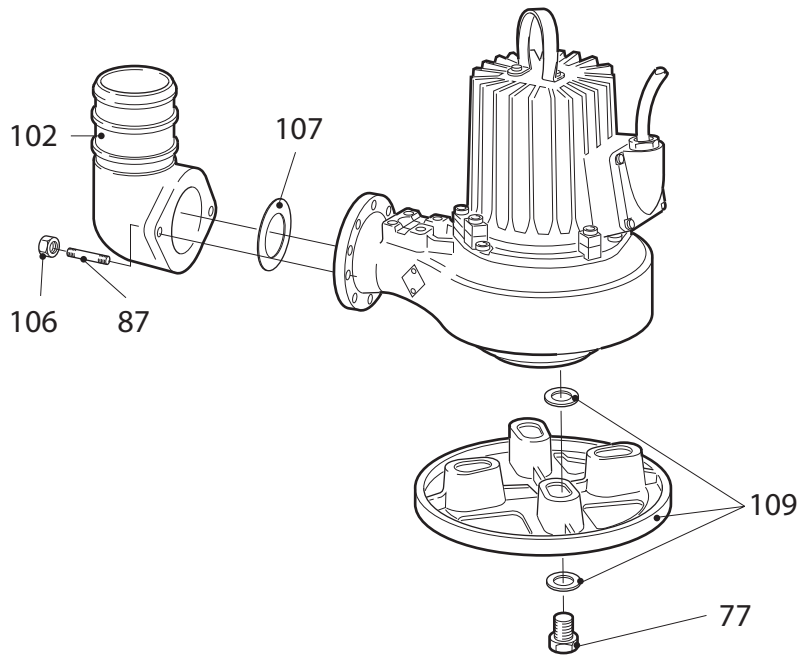
This chapter contains the following topics:

#### Topic

Exploded view .....	23
List.....	24

---

# Exploded view



20071A

# List

Pos. No	Part. No	Denomination	Qty/Ver- sion	
			020	190
77	410 723	Hexagon head screw M12X35-A4-70	4	4
		ITT Part. No 81 49 12		
102	410 030	Coupling part DN 110 G4" INNER STORZ	1	
102	51 540 00	Discharge connection	1	1
		DN 100.		
102	51 541 00	Discharge connection	1	1
		DN 100, Thread : ISO G4A Outer.		
102	51 541 01	Discharge connection	1	1
		DN 100, Thread : 4-8 NPSM Outer.		
106	132 280	Hexagon nut M12-A2-70	2	
106	410 011	Hexagon nut M12-A4-70		2
107	51 534 00	Gasket	1	1
109	51 559 00	Stand unit	1	1
134	51 570 00	Starter START 351-400-B-532-14	1	







Grindex AB • Box 7025 • SE-174 07 Sundbyberg • Sweden • Tel +46 8 606 66 00 • Fax +46 8 745 53 28 • [marketing@grindex.com](mailto:marketing@grindex.com)

*© Grindex AB. The original instruction is in English. All non-English instructions are translations of the original instruction.*