

Parts List

8107.011 Maxi



Table of Contents

| | |
|--------------------------------------|----------|
| 1 Introduction..... | 2 |
| 1.1 Specially approved products..... | 2 |
| 2 Product Description..... | 3 |
| 2.1 Products included..... | 3 |
| 2.2 The data plate..... | 3 |
| 3 Exploded View..... | 4 |
| 3.1 8107.011..... | 4 |
| 4 Spare Parts..... | 7 |
| 4.1 8107.011..... | 7 |

1 Introduction

Purpose of this manual

The purpose of this manual is to provide necessary information on spare parts and accessories order.

Disclaimer

Always use genuine Grindex parts. The use of other spare parts or accessories can invalidate any claims for warranty or compensation. Grindex does not take any responsibility for damages that are caused by the use of non-original parts. For more information, contact your local sales and service representative.

Data for ordering spare parts

The following information is needed for spare part orders:

- Serial number of the product
- Part number
- Quantity of bulk material, see * in tables

1.1 Specially approved products

Qualification of personnel

Only Grindex or Grindex-authorized service personnel may undertake repair work on Ex-approved products.

Dimensional accuracy inspection

Spare parts marked with (Ex) after the part number are subject to dimensional accuracy inspection when used in specially approved products.

2 Product Description

2.1 Products included

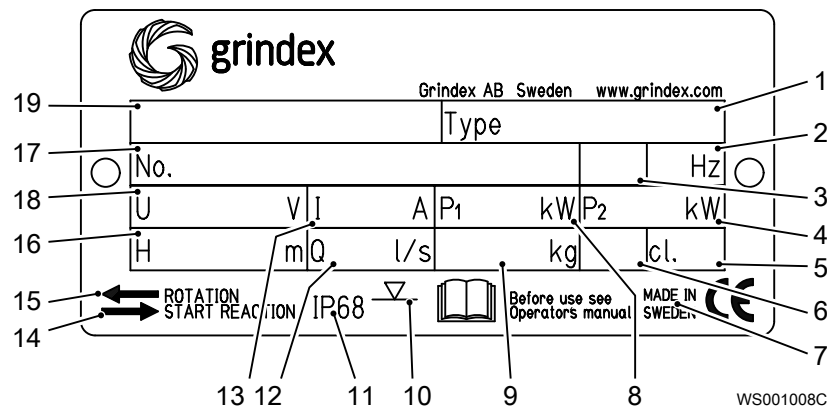
| Pump model | Standard | EX | MSHA | Drainage | Sludge |
|---------------|----------|----|------|----------|--------|
| Maxi 8107.011 | X | | | X | |

2.2 The data plate

Introduction

The data plate is a metal label located on the main body of the pump. The data plate lists key product specifications.

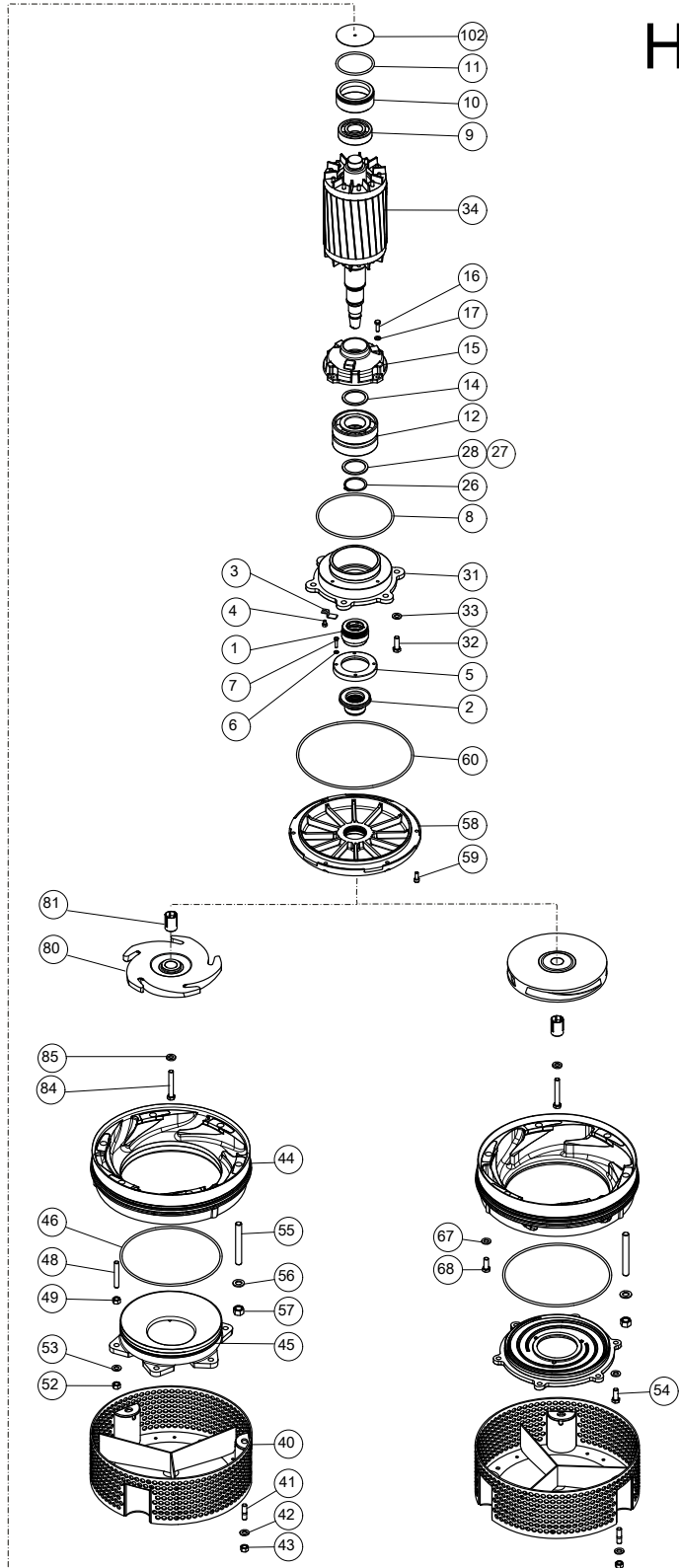
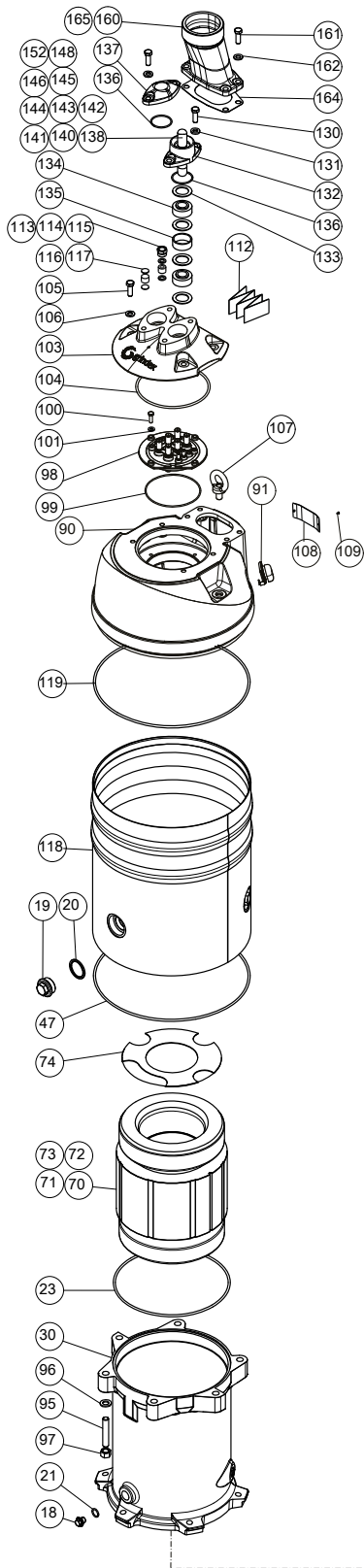
The data plate



1. Pump type number
 2. Frequency
 3. Phases, type of current
 4. Rated shaft power
 5. Thermal class
 6. Locked rotor code-letter
 7. Country of origin
 8. Maximum power consumption
 9. Product weight
 10. Maximum submersion depth
 11. Degree of protection
 12. Maximum capacity
 13. Rated current
 14. Direction of the start reaction
 15. Direction of the impeller rotation
 16. Maximum head
 17. Serial number
- The first two characters describe the production year.
18. Rated voltage
 19. Pump model

3 Exploded View

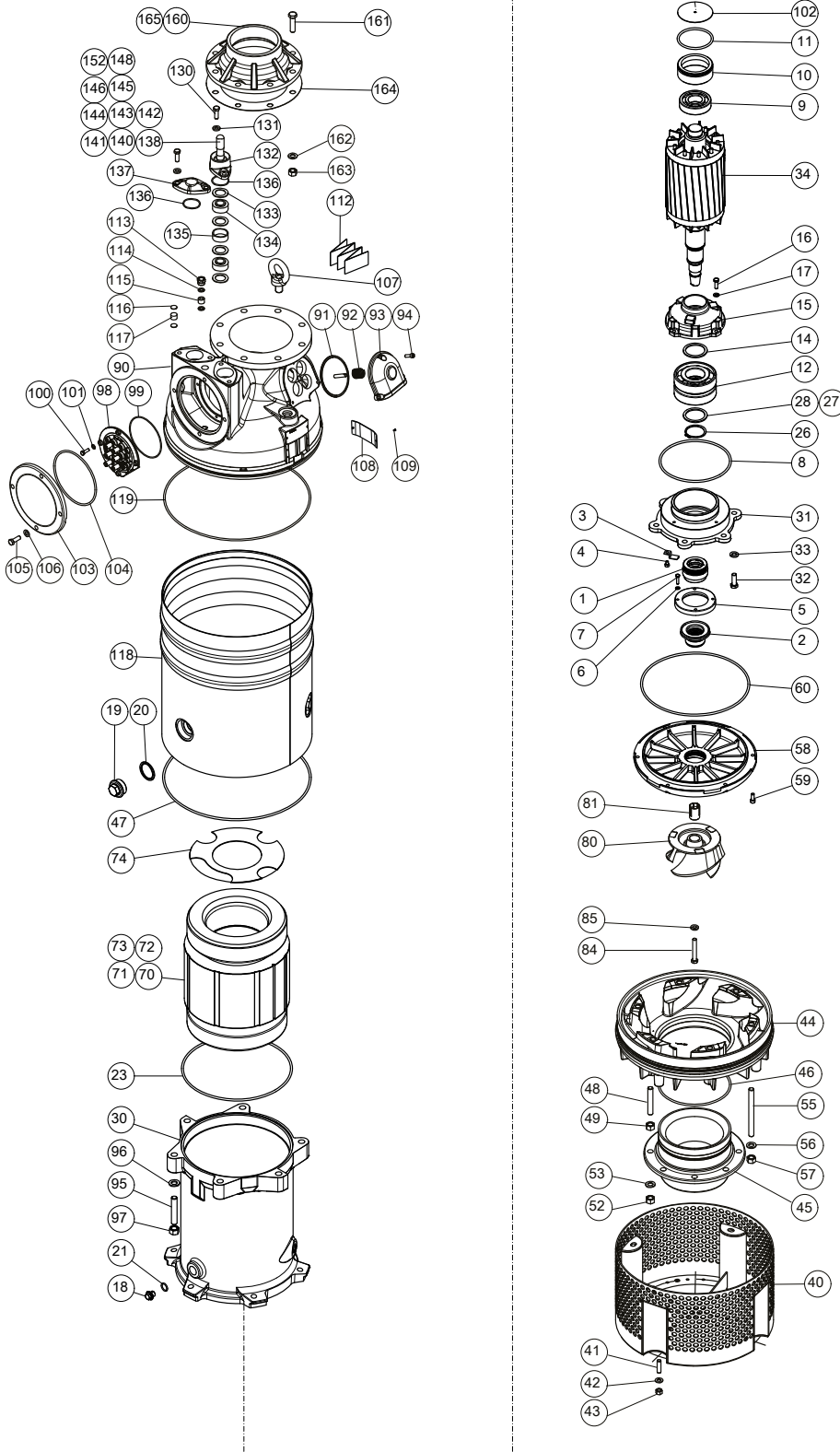
3.1 8107.011



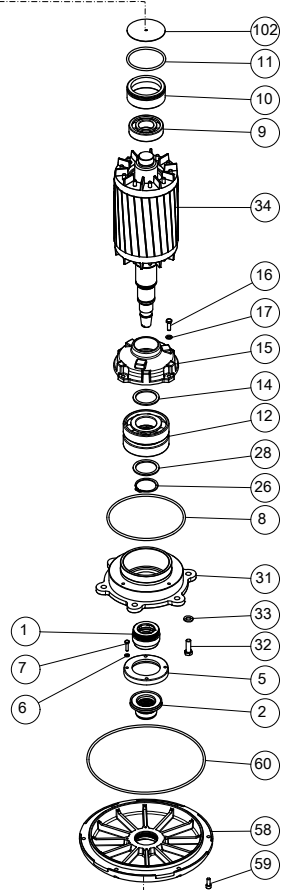
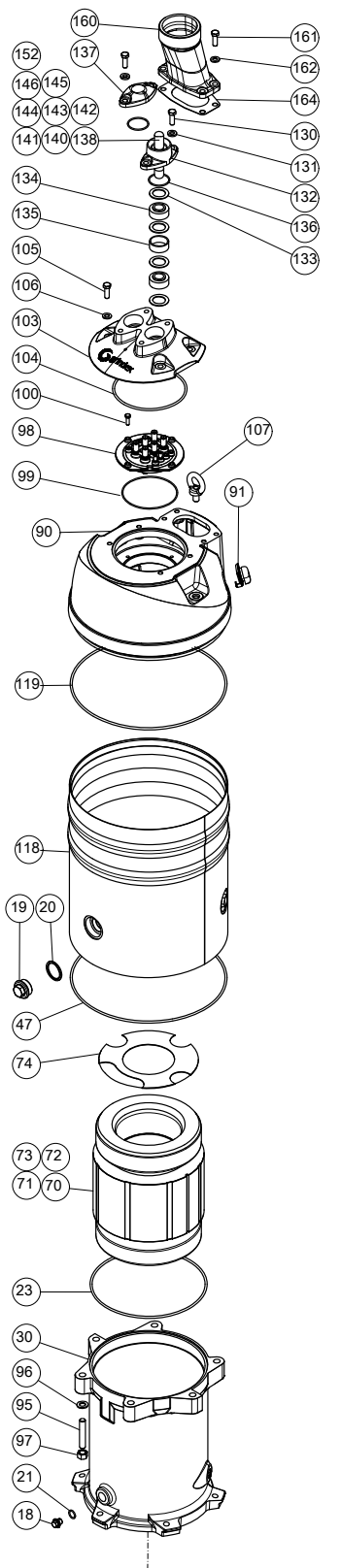
H

20244B_8107.011_8107.300_H_expl_view

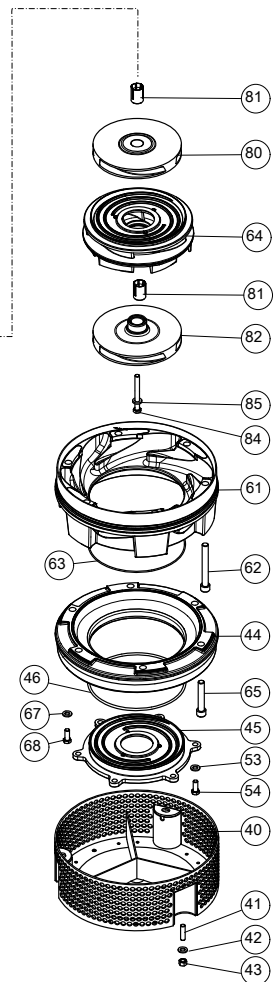
N



20248B_8107.011_N_expl_view



SH



20245A_8107.011_SH

4 Spare Parts

4.1 8107.011

| Pos. No | Part. No | Denomination | Qty/Version |
|---------|-----------|---------------------------------|-------------|
| | | | 011 |
| 1 | 132 382 | Mechanical seal | 1 |
| 2 | 51 896 52 | Mechanical seal | 1 |
| 3 | 50 790 00 | Lock washer | 1 |
| 4 | 50 020 08 | Hexagon head screw M6X8-A2-70 | 1 |
| 5 | 133 291 | Connection flange | 1 |
| 6 | 410 013 | Plain washer 6-A4-170 | 4 |
| 7 | 410 001 | Hexagon head screw M6X25-A4-70 | 4 |
| 8 | 132 380 | O-ring 194.3X5.7 NBR | 1 |
| 9 | 132 358 | Ball bearing 40X90X23 | 1 |
| 10 | 132 357 | Bearing guide | 1 |
| 11 | 132 355 | O-ring 89.1X5.7 NBR | 1 |
| 12 | 132 406 | Ball bearing 55X120X29 | 2 |
| 13 | 410 495 | Grease | * |
| 14 | 132 373 | Supporting washer 55X68X3 | 1 |
| 15 | 132 376 | Bearing cover | 1 |
| 16 | 130 642 | Hexagon head screw M8X25-A2-70 | 4 |
| 17 | 132 289 | Plain washer 8-A2-170 | 4 |
| 18 | 133 063 | Inspection screw BRASS | 3 |
| 19 | 410 486 | Plug | 3 |
| 20 | 50 584 00 | Seal washer 57.15X45.34X3.25 | 3 |
| 21 | 133 064 | O-ring 19.2X3 NBR | 3 |
| 22 | 410 053 | Oil ISO VG 32 | 5 |
| 23 | 132 356 | O-ring 299.3X5.7 NBR | 1 |
| 26 | 132 381 | Retaining ring SGA 55 | 1 |
| 27 | 132 375 | Washer 0.2 MM | 2 |
| 28 | 132 373 | Supporting washer 55X68X3 | 1 |
| 30 | 133 296 | Stator housing | 1 |
| 31 | 50 791 00 | Bearing housing | 1 |
| 32 | 410 197 | Hexagon head screw M12X35-A2-70 | 6 |

| Pos. No | Part. No | Denomination | Qty/Version |
|---------|-----------|---|-------------|
| | | | 011 |
| 33 | 132 274 | Plain washer 12-A2-170 | 6 |
| 34 | 51 891 00 | Shaft unit | 1 |
| 40 | 51 874 00 | Strainer compl. N | 1 |
| 40 | 51 875 00 | Strainer compl. H SH | 1 |
| 41 | 132 279 | Stud M12X30-A2-70 N | 4 |
| 41 | 132 279 | Stud M12X30-A2-70 H SH | 3 |
| 42 | 132 274 | Plain washer 12-A2-170 N | 4 |
| 42 | 132 274 | Plain washer 12-A2-170 H SH | 3 |
| 43 | 132 280 | Hexagon nut M12-A2-70 N | 4 |
| 43 | 132 280 | Hexagon nut M12-A2-70 H SH | 3 |
| 44 | 132 421 | Diffuser coat. N Material: NBR Impeller type: open | 1 |
| 44 | 132421PU | Diffuser coat. N Material: PU Impeller type: open | 1 |
| 44 | 51 879 00 | Diffuser coat. H Material: NBR Impeller type: Closed | 1 |
| 44 | 51 879 01 | Diffuser coat. H Material: PU Impeller type: Closed | 1 |
| 44 | 51 920 00 | Diffuser coat. H Material: NBR Impeller type: open | 1 |
| 44 | 51 920 04 | Diffuser coat. H Material: PU Impeller type: open | 1 |
| 44 | 51 884 00 | Diffuser coat. SH Material: NBR Impeller type: Closed | 1 |
| 44 | 51 884 01 | Diffuser coat. SH Material: PU Impeller type: Closed | 1 |
| 45 | 51 938 01 | Suction cover N Material: NBR | 1 |
| 45 | 51 938 00 | Suction cover N Material: PU | 1 |
| 45 | 51 889 00 | Suction cover H Impeller type: Closed | 1 |
| 45 | 132 416 | Suction cover H Material: NBR Impeller type: open | 1 |
| 45 | 132416PU | Suction cover H Material: PU Impeller type: open | 1 |
| 45 | 51 888 00 | Suction cover SH Impeller type: Closed | 1 |
| 46 | 132 422 | O-ring 219.3X5.7 NBR N | 1 |
| 46 | 410 240 | O-ring 269.3X5.7 NBR H Impeller type: Closed | 1 |
| 46 | 132 415 | O-ring 259.3X5.7 NBR H Impeller type: open | 1 |
| 46 | 410 546 | O-ring 239.5X5.7 NBR SH | 1 |
| 47 | 410 564 | O-ring 479.3X5.7 NBR N | 1 |
| 47 | 132 411 | O-ring 399.3X5.7 NBR H SH | 1 |
| 48 | 132 425 | Stud M16X100-A2-70 | 4 |
| 49 | 132 256 | Hexagon nut M16-A2-70 | 4 |

| Pos. No | Part. No | Denomination | Qty/Version |
|---------|-----------|---|-------------|
| | | | 011 |
| 52 | 132 256 | Hexagon nut M16-A2-70 | 4 |
| 53 | 132 258 | Plain washer 16-A2-A-170 N | 4 |
| 53 | 132 274 | Plain washer 12-A2-170 H SH | 6 |
| 54 | 132 407 | Hexagon head screw M12X30-A2-70 | 6 |
| 55 | 411 010 | Stud M16X160-A2-70 N | 6 |
| 55 | 50 024 02 | Stud M16X110-A2-70 H | 6 |
| 56 | 132 258 | Plain washer 16-A2-A-170 | 6 |
| 57 | 132 256 | Hexagon nut M16-A2-70 | 6 |
| 58 | 133 293 | Oil housing coated N H SH Material: NBR | 1 |
| 58 | 133293PU | Oil housing coated N H SH Material: PU | 1 |
| 59 | 132 395 | Hex.socket hd screw M8X20-A2-70 | 6 |
| 60 | 410 563 | O-ring 289.3X5.7 NBR | 1 |
| 61 | 51 883 00 | Diffuser coat. SH Material: NBR | 1 |
| 61 | 51 883 01 | Diffuser coat. SH Material: PU | 1 |
| 62 | 411 005 | Hex.socket hd screw | 6 |
| 63 | 410 721 | O-ring 230X3 NBR | 1 |
| 64 | 51 880 00 | Diffuser | 1 |
| 65 | 411 011 | Hex.socket hd screw M16X90-A2-70 | 6 |
| 66 | 132 258 | Plain washer 16-A2-A-170 | 6 |
| 67 | 132 274 | Plain washer 12-A2-170 | 2 |
| 68 | 132 407 | Hexagon head screw M12X30-A2-70 | 2 |
| 70 | 51 333 28 | Stator 30-19-2a 6-leads 60 Hz 2-poles 200V-208V D P2=43kW/ 58hp 6-leads 60 Hz 2-poles 220V-230V D 380V-400V Y P2=43kW/58hp | 1 |
| 70 | 51 333 34 | Stator 30-19-2a 6-leads 50 Hz 2-poles 220V-230V D 380V-400V Y P2=37kW | 1 |
| 70 | 51 333 45 | Stator 30-19-2a 12-leads 60 Hz 2-poles 220V-230V D// P2=43kW/ 58hp 12-leads 60 Hz 2-poles 440V-460V DSER 380V-400V Y// P2=43kW/ 58hp | 1 |

| Pos. No | Part. No | Denomination | Qty/Version | |
|---------|-----------|--------------------------------|--|---|
| | | | 011 | |
| 70 | 132 362 | Stator 30-19-2a | 6-leads 50 Hz 2-poles 380V-400V D 660V-690V Y P2=37kW 6-leads 60 Hz 2-poles 440V-480V D P2=43kW/ 58hp | 1 |
| 70 | 51 333 44 | Stator 30-19-2a | 6-leads 50 Hz 2-poles 415V-440V D P2=37kW | 1 |
| 70 | 51 333 00 | Stator 30-19-2a | 6-leads 50 Hz 2-poles 500V D P2=37kW 6-leads 60 Hz 2-poles 575V-600V D P2=43kW/ 58hp | 1 |
| 70 | 51 357 10 | Stator 30-19-2a | 6-leads 50 Hz 2-poles 525V-550V D 1000V Y P2=37kW | 1 |
| 71 | 50 221 00 | End sleeve 0.75 MM2; L=6 MM | | 2 |
| 72 | 50 221 06 | End sleeve 16 MM2; L=12 MM | 6-leads 60 Hz 2-poles 200V-208V D 6-leads 60 Hz 2-poles 220V-230V D 380V-400V Y | 6 |
| 72 | 50 221 05 | End sleeve 10 MM2; L=12 MM | 6-leads 50 Hz 2-poles 415V-440V D 6-leads 50 Hz 2-poles 220V-230V D 380V-400V Y 12-leads 60 Hz 2-poles 220V-230V D// 6-leads 50 Hz 2-poles 380V-400V D 660V-690V Y 6-leads 60 Hz 2-poles 440V-480V D 12-leads 60 Hz 2-poles 440V-460V DSER 380V-400V Y// | 6 |
| 72 | 50 221 04 | End sleeve 6 MM2; L=10 MM | 6-leads 50 Hz 2-poles 500V D 6-leads 60 Hz 2-poles 575V-600V D 6-leads 50 Hz 2-poles 525V-550V D 1000V Y | 6 |
| 73 | 132 354 | Insulating hose D=20 MM | | * |
| 74 | 132 294 | Protective disc | | 1 |
| 80 | 51 890 00 | Impeller | N 50Hz Hard-Iron TM Curve: 234 | 1 |
| 80 | 51 890 01 | Impeller | N 60Hz Hard-Iron TM Curve: 236 | 1 |
| 80 | 51 926 00 | Impeller | H Closed 50Hz Hard-Iron TM Curve: 251 | 1 |

| Pos. No | Part. No | Denomination | Qty/Version | |
|---------|-----------|-------------------------------------|---|---|
| | | | 011 | |
| 80 | 51 926 01 | Impeller | H Closed 60Hz Hard-Iron TM Curve: 253 | 1 |
| 80 | 51 876 05 | Impeller | H open 50Hz Hard-Iron TM Curve: 259 | 1 |
| 80 | 51 349 05 | Impeller | H open 60Hz Hard-Iron TM Curve: 261 | 1 |
| 80 | 51 810 10 | Impeller | H open 50Hz Stainless steel Curve: 270 | 1 |
| 80 | 51 810 11 | Impeller | H open 60Hz Stainless steel Curve: 271 | 1 |
| 80 | 51 886 00 | Impeller | SH 50Hz Hard-Iron TM Curve: 276 | 1 |
| 80 | 51 886 01 | Impeller | SH 60Hz Hard-Iron TM Curve: 278 | 1 |
| 81 | 51 918 01 | Sleeve unit | H N | 1 |
| 81 | 51 918 01 | Sleeve unit | SH | 2 |
| 82 | 51 887 00 | Impeller | SH 50Hz Hard-Iron TM Curve: 276 | 1 |
| 82 | 51 887 01 | Impeller | SH 60Hz Hard-Iron TM Curve: 278 | 1 |
| 84 | 410 074 | Hexagon head screw M12X80-A4-80 | H N | 1 |
| 84 | 41112 | Hexagon head screw M12X150-A4-70 | SH | 1 |
| 85 | 132 424 | Plain washer 12-A2-170 | | 1 |
| 90 | 51 880 01 | Bearing housing | H SH | 1 |
| 90 | 51 893 00 | Bearing housing | N | 1 |
| 91 | 50 869 00 | Air release valve | H SH | 2 |
| 91 | 130 745 | Valve | N | 1 |
| 92 | 130 752 | Spring | | 1 |
| 93 | 130 728 | Cover | | 1 |
| 94 | 50 021 00 | Hex.socket hd screw M8X25-A2-70 | | 3 |
| 95 | 411 006 | Stud M16X70-A2-70 | | 6 |
| 96 | 132 258 | Plain washer 16-A2-A-170 | | 6 |
| 97 | 132 256 | Hexagon nut M16-A2-70 | | 6 |
| 98 | 133 119 | Con.term.board unit | | 1 |
| 99 | 410 833 | O-ring 139.5X3 NBR | | 1 |
| 100 | 130 642 | Hexagon head screw M8X25-A2-70 | | 4 |
| 101 | 132 289 | Plain washer 8-A2-170 | | 4 |
| 102 | 51 336 00 | Plate | | 1 |
| 103 | 51 882 00 | Cover | H SH Auxiliary cable: No | 1 |

| Pos. No | Part. No | Denomination | Qty/Version |
|---------|-----------|--|-------------|
| | | | 011 |
| 103 | 51 882 01 | Cover H SH Auxiliary cable: Yes | 1 |
| 103 | 132 278 | Cover N | 1 |
| 104 | 50 037 45 | O-ring 184.3X5.7 NBR | 1 |
| 105 | 410 197 | Hexagon head screw M12X35-A2-70 | 4 |
| 106 | 132 274 | Plain washer 12-A2-170 | 4 |
| 107 | 130 960 | Lifting eye bolt M16 H SH | 2 |
| 107 | 132 277 | Lifting eye bolt M24 N | 2 |
| 108 | 50 888 00 | Plate-blank | 1 |
| 109 | 410 000 | Drive screw 4X5-A2/A4 | 2 |
| 110 | 51 919 00 | Instruction plate | 1 |
| 112 | 51 675 03 | Connection plate | 1 |
| 113 | 132 343 | Gland screw | 1 |
| 114 | 132 344 | Plain washer 12.5X20.5X2- A2-70 | 2 |
| 115 | 132 345 | Seal sleeve (10)-12 MM | 1 |
| 116 | 132 455 | Plate | 2 |
| 117 | 132 454 | Plug | 1 |
| 118 | 51 877 00 | Outer casing H SH | 1 |
| 118 | 51 878 00 | Outer casing N | 1 |
| 119 | 132 411 | O-ring 399.3X5.7 NBR H SH | 1 |
| 119 | 410 564 | O-ring 479.3X5.7 NBR N | 1 |
| 130 | 410 197 | Hexagon head screw M12X35-A2-70 | 4 |
| 131 | 132 424 | Plain washer 12-A2-170 | 4 |
| 132 | 51 033 04 | Entrance flange | 1-2 |
| 133 | 132 336 | Plain washer (32)-34 MM | 4-8 |
| 133 | 132 312 | Plain washer (33)-35 MM | 4-8 |
| 133 | 132 341 | Plain washer (37)-39 MM | 4 |
| 134 | 410 115 | Seal sleeve (23)-26 MM | 2-4 |
| 134 | 410 116 | Seal sleeve (26)-29 MM | 2-4 |
| 134 | 410 118 | Seal sleeve (32)-35 MM | 2-4 |
| 134 | 410 612 | Seal sleeve (36)-38 MM | 2 |
| 134 | 410 117 | Seal sleeve (29)-32 MM | 2 |
| 135 | 51 025 02 | Sleeve | 1-2 |
| 136 | 410 086 | O-ring 49.5X3 NBR | 2 |
| 137 | 51 892 00 | Cover | 1 |
| 138 | 410 126 | Motor cable subcab 4G6+2X1,5 24 - 26mm Max 750V | * |

| Pos. No | Part. No | Denomination | Qty/Version |
|---------|-----------|---|-------------|
| | | | 011 |
| 138 | 410 858 | Motor cable subcab 24 - 26mm Max 1000V 7G6+S(2X0,5) | * |
| 138 | 410 852 | Motor cable subcab 24 - 26mm Max 1000V 4G10+S(2X0,5) | * |
| 138 | 410 853 | Motor cable subcab 26 - 28mm Max 1000V 4G16+S(2X0,5) | * |
| 138 | 410 854 | Motor cable subcab 32 - 34mm Max 1000V 4G25+S(2X0,5) | * |
| 138 | 410 855 | Motor cable subcab 35 - 37mm Max 1000V 4G35+S(2X0,5) | * |
| 138 | 410 136 | Motor cable 4AWG/3-2-1- GC 32,80 - 34,80mm Max 600V | * |
| 138 | 410 862 | Motor cable subcab 24 - 26mm Max 1000V S3X10+3X10/3+S(4X0,5) | * |
| 138 | 410 864 | Motor cable subcab 29 - 31mm Max 1000V S3X25+3X16/3+S(4X0,5) | * |
| 139 | 410 878 | Cap 24X45 PVC | 1-2 |
| 139 | 410 880 | Cap 26X45 PVC | 1-2 |
| 139 | 411 008 | Cap 32X45 PVC | 1-2 |
| 139 | 411 015 | Cap 35X45 PVC | 1 |
| 139 | 411 014 | Cap 33X45 PVC | 1 |
| 139 | 411 017 | Cap 30X45 PVC | 1 |
| 140 | 411 009 | Hexagon head screw M8X16-A4-70 | 1-2 |
| 141 | 50 221 04 | End sleeve 6 MM ² ; L=10 MM | 2-6 |
| 141 | 50 221 05 | End sleeve 10 MM ² ; L=12 MM | 3-6 |
| 141 | 50 221 06 | End sleeve 16 MM ² ; L=12 MM | 3-6 |
| 141 | 50 221 07 | End sleeve 25 MM ² ; L=15 MM | 3-6 |
| 141 | 50 221 08 | End sleeve 35 MM ² ; L=18 MM | 3 |
| 142 | 50 221 01 | End sleeve 1.5 MM ² ; L=7 MM | 2 |
| 142 | 50 221 00 | End sleeve 0.75 MM ² ; L=6 MM | 2 |
| 143 | 410 873 | Cable lug UL/CSA 0.5-1.65 MM ² | 1 |
| 143 | 410 177 | Cable lug INSUL.UL/CSA 2.62-6.64MM ² | 1 |
| 144 | 131 797 | Cable lug D8, 4-6 MM ² | 1-2 |
| 144 | 131 137 | Cable lug D8, 10 MM ² | 1-2 |
| 144 | 131 799 | Cable lug D8 16 MM ² | 1-2 |

| Pos. No | Part. No | Denomination | Qty/Version |
|---------|-----------|---|--------------|
| | | | 011 |
| 144 | 132 609 | Cable lug D8 25 MM2 | 1-2 |
| 144 | 411 007 | Cable lug D10, 35 MM2 | 1 |
| 145 | 410 917 | Shrink hose ID=12 MM | * |
| 146 | 410 918 | Shrink hose ID=3.2 MM | * |
| 147 | 410 122 | Shrink hose ID=9.5 MM | * |
| 148 | 410 881 | Closed-end splice 0.33-0.82(AWG 22-18) L=18 | 2 |
| 149 | 51 438 00 | Plate SENSOR CONNECTED T1-T2 | 2 |
| 151 | 410 875 | Cap 6X16 PVC | 1 |
| 151 | 410 876 | Cap 7X16 PVC | 1 |
| 152 | 50 020 20 | Hexagon head screw M6X12-A4-70 | 1 |
| 160 | 51 930 01 | Discharge connection | H SH Hose 4" |
| 160 | 51 351 03 | Discharge connection | H SH ISO G4A |
| 160 | 51 351 04 | Discharge connection NPT 4-8 | H SH NPT 4-8 |
| 160 | 132 434 | Discharge connection 6" HOSE | N Hose 6" |
| 160 | 132 435 | Discharge connection ISO G6 | N ISO G6" |
| 160 | 132 436 | Discharge connection NPT 6-8 | N NPT 6-8 |
| 160 | 132 437 | Discharge connection 8" HOSE | N Hose 8" |
| 160 | 132 438 | Discharge connection ISO G8 | N ISO G8" |
| 160 | 132 439 | Discharge connection NPT 8-8 | N NPT 8-8 |
| 161 | 410 197 | Hexagon head screw M12X35-A2-70 | H SH |
| 161 | 132 255 | Hexagon head screw M16X60-A2-70 | N |
| 162 | 132 274 | Plain washer 12-A2-170 | H SH |
| 162 | 132 258 | Plain washer 16-A2-A-170 | N |
| 163 | 132 256 | Hexagon nut M16-A2-70 | |
| 164 | 51 334 00 | Gasket | H SH |
| 164 | 132 257 | Gasket | N |
| 165 | 410 030 | Coupling part STORTZ ISO G4 | H SH |
| 165 | 410 313 | Coupling part STORTZ ISO G6A | N |
| 170 | 51 899 00 | Stand | 1 |

| Pos. No | Part. No | Denomination | Qty/Version |
|----------------|-----------------|---------------------|--------------------|
| | | | 011 |
| 800 | 51 898 00 | O-ring kit | 1 |
| 801 | 51 853 00 | Zinc anode kit | 1 |
| 900 | 51 922 01 | Basic repair kit | 1 |



Grindex
Gesällvägen 33
174 07 Sundbyberg
Sweden
Tel: +46-8-606 66 00
Fax: +46-8-745 53 28
www.grindex.com

Visit our Web site for the latest version of this document
and more information

The original instruction is in English. All non-English
instructions are translations of the original instruction.

© 2014 Grindex