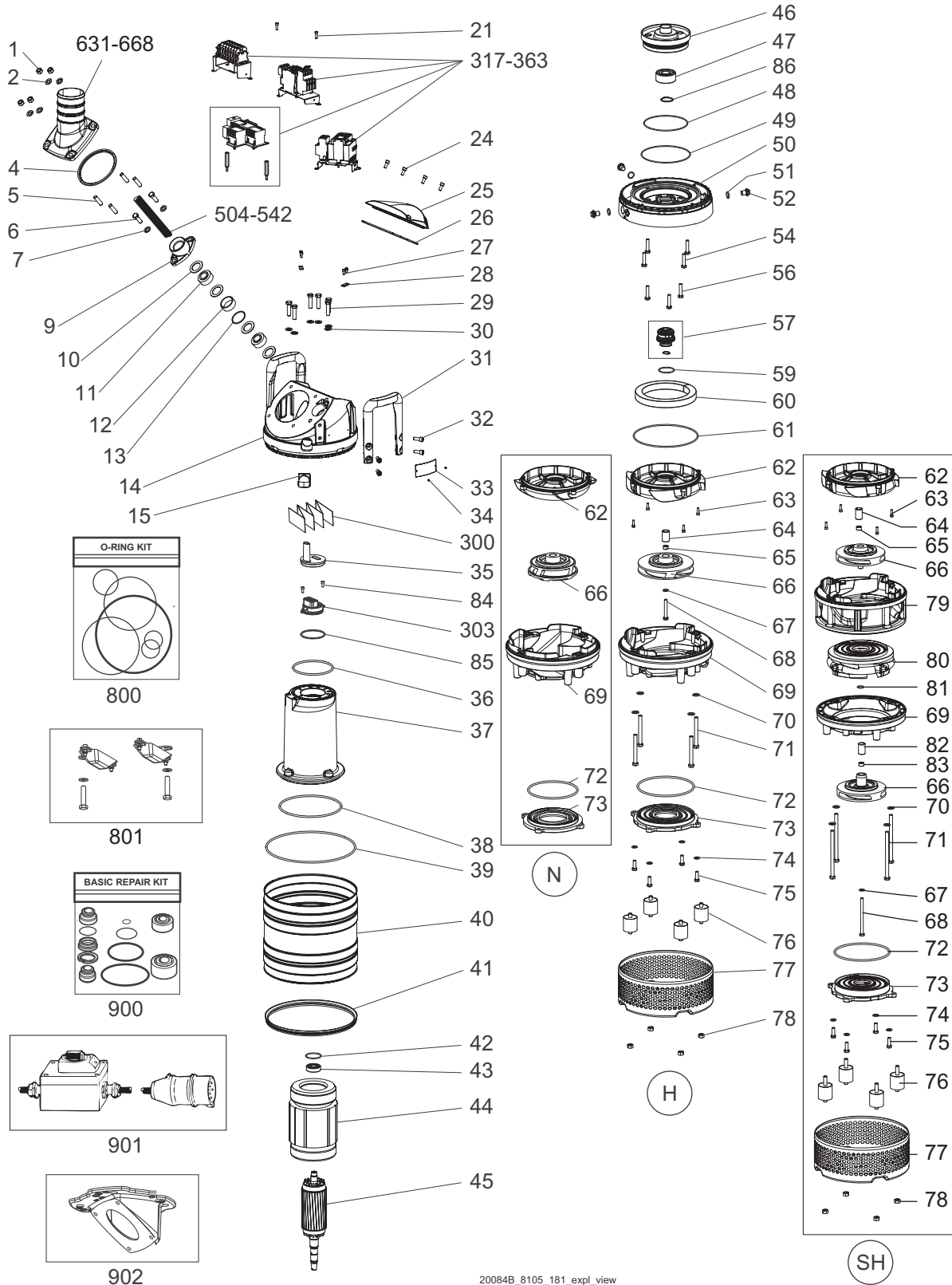


Parts List



www.grindex.com

Master — 8105.181



Parts List

Master — 8105.181

Overview

Table of Contents

This publication contains the following topics:

Topic

Introduction	4
Practical Information	5
Data Plate Interpretation.....	6
Order parts.....	7
Spare Parts.....	8

Introduction

Purpose

The purpose of this manual is to give the reader information about available spare parts and accessories for the product.

Recipient

The manual is principally intended for Grindex

- customers
 - service personnel
 - sales personnel
-

Contact

For more information

- contact your Grindex representative
 - visit <http://www.grindex.com/>
-

Reference

More information about the product is available in the following documents:

- Installation, Operation and Maintenance
 - Grindex accessories list
-

Practical Information

Overview

Table of Contents

This chapter contains the following topics:

Topic

Data Plate Interpretation	6
Data Plate.....	6
Order parts	7

Data Plate Interpretation

Introduction

The Grindex product is always provided with data plates:

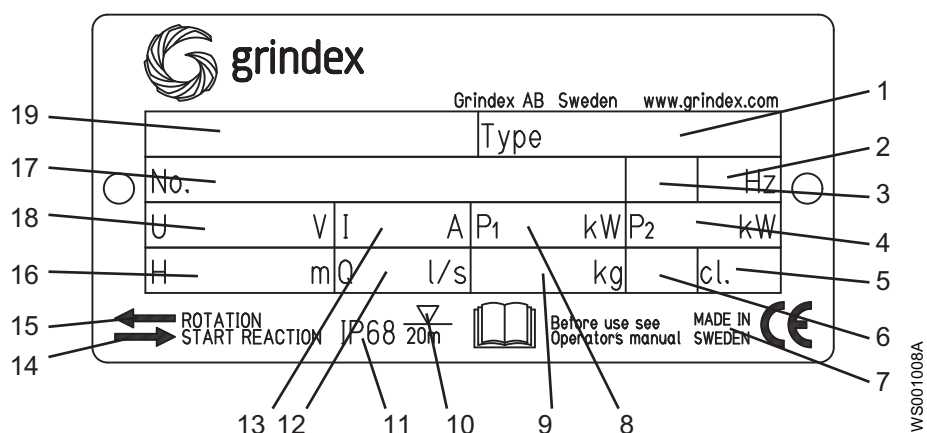
- The general data plate is used on all products.
- The approval plate is added to all explosion proof products.

Data Plate

The product may only be operated within the parameters stated on the data plate.

Illustration

This is an illustration of a general data plate.



Field description

This table shows the fields on the general data plate, and which information each field contains.

Field	Description	Field	Description
1	Pump type number	11	Degree of protection
2	Frequency	12	Maximum capacity
3	Phases, type of current	13	Rated current
4	Rated shaft power	14	Direction of the start reaction
5	Thermal class	15	Direction of the impeller rotation
6	Locked rotor code-letter	16	Maximum head
7	Country of origin	17	Serial number
8	Maximum power consumption	18	Rated voltage
9	Product weight	19	Pump model
10	Maximum submersion depth	-	-

Order parts

Order

When ordering spare parts, state product number and serial number of the product, spare part number and quantity.

Requirements

Genuine Grindex parts must always be used for repairs if the product is to fulfill requirements and obtain official approval.

Specially Approved Products

Spare parts marked with ^(EX) after the part number are subject to dimensional accuracy inspection.

Spare Parts

NOTE!

Parts with position numbers that end with .9xx are NOT included in the unit and must be ordered separately.

Pos. No	Part. No	Denomination	Qty/Version 181
1	410 011	Hexagon nut M12-A4-70	4
2	132 274	Plain washer 12-A2-A 170	4
4	50 897 00	U-ring	1
5	410 171	Stud M12X35-A2-70	4
6	410 197	Hexagon head screw M12X35-A2-70	2
7	132 274	Plain washer 12-A2-A 170	2
9	51 033 04	Entrance flange	1
10	132 312	Plain washer (33)-35 MM	4
10	132 334	Plain washer (14)-20 MM	4
10	132 336	Plain washer (20)-32 MM	4
11	410 112	Seal sleeve (14)-17 MM	2
11	410 113	Seal sleeve (17)-20 MM	2
11	410 114	Seal sleeve (20)-23 MM	2
11	410 115	Seal sleeve (23)-26 MM	2
11	410 116	Seal sleeve (26)-29 MM	2
11	410 117	Seal sleeve (29)-32 MM	2
11	410 118	Seal sleeve (32)-35 MM	2
11	410 153	Seal sleeve (12)-14MM	2
12	51 025 02	Ring	1
13	410 086	O-ring 49.5X3 NBR	1
14	50 861 00	Cover	1
15	50 869 00	Air release valve	1
21	50 020 04	Hex.socket hd screw M6X20-A4-70	4
24	50 021 33	Hex.socket hd screw M8X20-A4-80	4
25	50 862 00	Cover	1
26	132 380	O-ring 194.3X5.7 NBR	1
27	50 020 04	Hex.socket hd screw M6X20-A4-70	2
28	50 902 00	Earthing plate	2
29	410 071	Hexagon head screw M12X45-A4-70	6
30	132 274	Plain washer 12-A2-A 170	6
31	50 857 00	Handle	2

Pos. No	Part. No	Denomination	Qty/Version
32	50 022 17	Hex.socket hd screw M10X25-A4-70	8
33	50 888 00	Plate-blank	1
		Use 50 907 00 (EU), 50 907 01 (US) as spare part.	
34	410 000	Drive screw 4X5-A2-70	4
35	50 946 00	Protective casing	1
		Only for Y/D.	
36	130 943	O-ring 139.3X5.7 NBR	1
37	51 048 00	Stator housing	1
38	132 422	O-ring 219.3X5.7 NBR	1
39	51 060 00	Seal ring	1
40	50 863 00	Cooling jacket	1
41	51 060 00	Seal ring	1
42	410 023	O-ring 52.5X3.0 FPM	1
43	50 287 04	Ball bearing 6304-2Z/C3WT 20X52X15	1
44	51 008 01	Stator 18-15-2b	1
		50Hz: 400V-440V D, 690V Y. 60Hz: 460V-480V D.	
44	51 008 02	Stator 18-15-2b	1
		50Hz: 220V-240V D.	
44	51 008 03	Stator 18-15-2b	1
		50Hz: 500V D. 60Hz: 575V-600V D.	
44	51 008 04	Stator 18-15-2b	1
		60Hz: 440V-480V YSER, 220V-240V Y//.	
44	51 008 05	Stator 18-15-2b	1
		50Hz: 1000V Y, 550V D.	
44	51 008 06	Stator 18-15-2b	1
		60Hz: 220V-240V D.	
44	51 008 07	Stator 18-15-2b	1
		50Hz: 660V Y, 380V D. 60Hz: 440V D.	
44	51 008 08	Stator 18-15-2b	1
		60Hz: 200V-208V D.	
44	51 008 10	Stator 18-15-2b	1
		60Hz: 380V-400V D.	
44	51 008 11	Stator 18-15-2b	1
		60Hz: 230V D//, 380V Y//, 440V-460V DSER.	
45	51 034 01	Shaft unit	1
46	51 026 00	Bearing holder	1
47	410 100	Ball bearing 3306A- 2Z/C3VT113	1
48	410 022	O-ring 175X3 NBR	1
49	140 078	O-ring 156X3 NBR	1
50	51 049 02	Adapter	1
51	133 064	O-ring 19.2X3 NBR	4
52	133 063	Inspection screw	3
54	410 076	Hexagon flange screw M10X45-A4-80	4
56	410 076	Hexagon flange screw M10X45-A4-80	3

Pos. No	Part. No	Denomination	Qty/Version
57	51 027 22	Mechanical seal	1
59	410 155	O-ring 62X3,0 FPM	1
60	410 107	Pressure equalizer L=650MM	1
61	410 094	O-ring 230,0X4,0 NBR	1
62	51 050 00	Seal housing cov.coa H	1
62	51 051 00	Seal housing cov.coa N	1
62	51 317 00	Seal housing cov.coa SH	1
63	50 020 04	Hex.socket hd screw M6X20-A4-70	4
64	51 056 01	Sleeve	1
65	51 055 00	Adjustment screw	2
66	51 016 50	Impeller 50Hz, H	1
66	51 016 54	Impeller 60Hz, H	1
66	51 017 50	Impeller 50Hz, N	1
66	51 017 52	Impeller 60Hz, N	1
66	51 327 00	Impeller 50Hz, SH lower	1
66	51 327 01	Impeller 60Hz, SH lower	1
66	51 328 00	Impeller 50Hz, SH upper	1
66	51 328 01	Impeller 60Hz, SH upper	1
67	50 022 26	Plain washer 10-A4-170	1
68	410 070	Hexagon head screw M10X70-A2-70 N, H	1
68	410 475	Hexagon head screw M10X140-A2-70 SH	1
69	51 021 00	Diffuser coat. H	1
69	51 022 00	Diffuser coat. N	1
69	51 315 00	Diffuser coat. SH	1
70	132 274	Plain washer 12-A2-A 170	4
71	410 075	Hexagon head screw M12X110-A2-70 N, H	4
71	410 403	Hexagon head screw M12X180-A2-70 SH	4
72	410 087	O-ring 174.3X5.7 NBR N	1
72	410 090	O-ring 199.3X5.7 NBR H, SH	1
73	51 052 00	Suction cover H	1
73	51 053 00	Suction cover N	1
73	51 313 00	Suction cover SH	1
74	50 022 26	Plain washer 10-A4-170	4
75	410 004	Hexagon head screw M10X30-A2-70	4
76	51 045 00	Damper complete	4
77	51 054 00	Strainer	1

Pos. No	Part. No	Denomination	Qty/Version
			181
78	410 011	Hexagon nut M12-A4-70	4
79	51 316 00	Diffuser coat.	1
80	51 314 00	Diffuser	1
81	133 064	O-ring 19.2X3 NBR	1
82	51 056 01	Sleeve	1
84	140 049	Hex.socket hd screw M8X16-A2-70	2
85	410 623	O-ring 78X4 NBR	1
86	410 810	Retaining ring SGA 30	1
300	51 624 00	Connection plate	1
303	51 642 00	Terminal plate unit	1
317	50 993 38	CONTACTOR UNIT	1
		50Hz: 240V D. Only for DOL, Softstarter.	
317.1	410 008	Hex.socket hd screw M4X16-A2-70	2
317.2	410 008	Hex.socket hd screw M4X16-A2-70	2
317.3	410 012	Lock nut	2
317.4	410 012	Lock nut	2
317.5	410 822	Overload relay	1
317.6	410 815	Contactor	1
317.7	50 900 62	Single-core cable	1
317.7	51 076 00	Cable set	1
317.8	50 995 00	Holder	1
317.9	51 511 07	Motor protector SMART	1
317.947	51 639 01	Cable set	1
		Ordered separately.	
319	50 993 38	CONTACTOR UNIT	1
		50Hz: 220V - 230V D.	
319.1	410 008	Hex.socket hd screw M4X16-A2-70	2
319.2	410 008	Hex.socket hd screw M4X16-A2-70	2
319.3	410 012	Lock nut	2
319.4	410 012	Lock nut	2
319.5	410 822	Overload relay	1
319.6	410 815	Contactor	1
319.7	50 900 62	Single-core cable	1
319.7	51 076 00	Cable set	1
319.8	50 995 00	Holder	1
319.9	51 511 07	Motor protector SMART	1
319.947	51 639 01	Cable set	1
		Ordered separately.	
320	50 993 40	CONTACTOR UNIT	1
		50Hz: 380V - 400V D.	

Pos. No	Part. No	Denomination	Qty/Version
320.1	410 008	Hex.socket hd screw M4X16-A2-70	2
320.2	410 008	Hex.socket hd screw M4X16-A2-70	2
320.3	410 012	Lock nut	2
320.4	410 012	Lock nut	2
320.5	410 819	Overload relay	1
320.6	410 814	Contactactor	1
320.7	50 900 62	Single-core cable	1
320.7	51 076 00	Cable set	1
320.8	50 995 00	Holder	1
320.9	51 511 05	Motor protector SMART	1
320.947	51 639 01	Cable set	Ordered separately. 1
321	50 993 40	CONTACTOR UNIT	50Hz: 415V - 440V D. 1
321.1	410 008	Hex.socket hd screw M4X16-A2-70	2
321.2	410 008	Hex.socket hd screw M4X16-A2-70	2
321.3	410 012	Lock nut	2
321.4	410 012	Lock nut	2
321.5	410 819	Overload relay	1
321.6	410 814	Contactactor	1
321.7	50 900 62	Single-core cable	1
321.7	51 076 00	Cable set	1
321.8	50 995 00	Holder	1
321.9	51 511 05	Motor protector SMART	1
321.947	51 639 01	Cable set	Ordered separately. 1
322	50 993 29	CONTACTOR UNIT	50Hz: 500V D. 1
322.1	410 008	Hex.socket hd screw M4X16-A2-70	4
322.2	410 012	Lock nut	4
322.3	410 025	Terminal board	1
322.4	410 143	Overload relay	1
322.5	410 142	Contactactor	1
322.6	50 900 62	Single-core cable	1
322.7	50 995 00	Holder	1
322.8	51 076 00	Cable set	1
322.9	51 511 05	Motor protector SMART	1
322.921	410 025	Terminal board	Ordered separately. 1
322.947	51 639 01	Cable set	Ordered separately. 1
325	51 000 01	CONTACTOR UNIT	50Hz: 380V - 415V Y/D. 1

Pos. No	Part. No	Denomination	Qty/Version
325.1	410 008	Hex.socket hd screw M4X16-A2-70	9
325.2	410 012	Lock nut	9
325.3	410 824	Contactactor	3
325.4	50 148 02	Time relay	1
325.5	50 997 00	Holder	1
325.6	51 002 00	Cable set	1
325.7	51 003 00	Overload protector	1
325.8	50 509 00	Cable set	1
325.9	51 511 05	Motor protector SMART	1
325.908	51 001 02	Connection plate	1
325.940	410 056	Insulating hose (10-16MM)	*
325.970	50 996 00	Spacing screw	2
325.980	410 742	Flat pin sleeve 0,5-1,65MM2	1
332	50 993 42	CONTACTOR UNIT	1
332.1	410 008	Hex.socket hd screw M4X16-A2-70	2
332.2	410 008	Hex.socket hd screw M4X16-A2-70	2
332.3	410 012	Lock nut	2
332.4	410 012	Lock nut	2
332.5	410 823	Overload relay	1
332.6	410 815	Contactactor	1
332.7	50 900 62	Single-core cable	1
332.7	51 076 00	Cable set	1
332.8	50 995 00	Holder	1
332.9	51 511 08	Motor protector SMART	1
332.947	51 639 01	Cable set	1
334	50 993 42	CONTACTOR UNIT	1
334.1	410 008	Hex.socket hd screw M4X16-A2-70	2
334.2	410 008	Hex.socket hd screw M4X16-A2-70	2
334.3	410 012	Lock nut	2
334.4	410 012	Lock nut	2
334.5	410 823	Overload relay	1
334.6	410 815	Contactactor	1
334.7	50 900 62	Single-core cable	1
334.7	51 076 00	Cable set	1
334.8	50 995 00	Holder	1
334.9	51 511 08	Motor protector SMART	1

Pos. No	Part. No	Denomination	Qty/Version
334.947	51 639 01	Cable set	1
335	50 993 34	CONTACTOR UNIT	1
335.1	410 008	Hex.socket hd screw M4X16-A2-70	4
335.2	410 012	Lock nut	4
335.4	410 820	Overload relay	1
335.5	410 814	Contactor	1
335.6	50 900 62	Single-core cable	1
335.7	50 995 00	Holder	1
335.8	51 076 00	Cable set	1
335.9	51 511 06	Motor protector SMART	1
335.947	51 639 01	Cable set	1
337	50 993 45	CONTACTOR UNIT	1
337.1	410 008	Hex.socket hd screw M4X16-A2-70	2
337.2	410 008	Hex.socket hd screw M4X16-A2-70	2
337.3	410 012	Lock nut	2
337.4	410 012	Lock nut	2
337.5	410 819	Overload relay	1
337.6	410 814	Contactor	1
337.7	50 900 62	Single-core cable	1
337.7	51 076 00	Cable set	1
337.8	50 995 00	Holder	1
337.9	51 511 06	Motor protector SMART	1
337.947	51 639 01	Cable set	1
338	50 993 36	CONTACTOR UNIT	1
338.1	410 008	Hex.socket hd screw M4X16-A2-70	4
338.2	410 012	Lock nut	4
338.3	410 025	Terminal board	1
338.4	410 143	Overload relay	1
338.5	410 142	Contactor	1
338.6	50 900 62	Single-core cable	1
338.7	50 995 00	Holder	1
338.8	51 076 00	Cable set	1
338.9	51 511 06	Motor protector SMART	1
338.947	51 639 01	Cable set	1
339	50 993 42	CONTACTOR UNIT	1
339.1	410 008	Hex.socket hd screw M4X16-A2-70	2

Pos. No	Part. No	Denomination	Qty/Version
339.2	410 008	Hex.socket hd screw M4X16-A2-70	2
339.3	410 012	Lock nut	2
339.4	410 012	Lock nut	2
339.5	410 823	Overload relay	1
339.6	410 815	Contactor	1
339.7	50 900 62	Single-core cable	1
339.7	51 076 00	Cable set	1
339.8	50 995 00	Holder	1
339.9	51 511 08	Motor protector SMART	1
339.947	51 639 01	Cable set	Ordered separately.
339.962	410 034	Closed end splice 3-6(AWG 12-10) L=18	Ordered separately.
340	50 993 34	CONTACTOR UNIT	60Hz: 380V - 400V D. 380V Y//.
340.1	410 008	Hex.socket hd screw M4X16-A2-70	4
340.2	410 012	Lock nut	4
340.4	410 820	Overload relay	1
340.5	410 814	Contactor	1
340.6	50 900 62	Single-core cable	1
340.7	50 995 00	Holder	1
340.8	51 076 00	Cable set	1
340.9	51 511 06	Motor protector SMART	1
340.947	51 639 01	Cable set	Ordered separately.
341	50 993 45	CONTACTOR UNIT	60Hz: 440V - 480V YSER.
341.1	410 008	Hex.socket hd screw M4X16-A2-70	2
341.2	410 008	Hex.socket hd screw M4X16-A2-70	2
341.3	410 012	Lock nut	2
341.4	410 012	Lock nut	2
341.5	410 819	Overload relay	1
341.6	410 814	Contactor	1
341.7	50 900 62	Single-core cable	1
341.7	51 076 00	Cable set	1
341.8	50 995 00	Holder	1
341.9	51 511 06	Motor protector SMART	1
341.947	51 639 01	Cable set	Ordered separately.
341.960	410 033	Closed end splice 5.1-10.6;(AWG 18-8) L=38	Ordered separately.
363	51 318 02	Softstarter COMPLETE UNIT	50Hz: 400V.

Pos. No	Part. No	Denomination	Qty/Version
363.1	51 356 00	Softstarter STARTER ONLY 50Hz: 400V.	1
504	131 039	Motor cable 4G2.5 MM2 OD=12.5-13.5 MM	*
505	50 777 00	Motor cable 4G2.5+2X1.5 MM2 OD=17-18	*
506	410 063	Motor cable 7G2.5+2X1.5 MM2 OD=20-23	*
507	133 139	Motor cable 4G4 MM2 OD=16-17 MM	*
508	410 129	Motor cable 4G4+2X1.5 MM2 OD=20-22 MM	*
510	131 028	Motor cable 4G6 MM2 OD=18-19MM	*
511	410 126	Motor cable 4G6+2X1.5 MM2 OD=23-25 MM	*
513	131 027	Motor cable 4G10 MM2 OD=23-25.5MM	*
514	410 127	Motor cable 4G10+2X1.5 MM2 OD=26-28MM	*
524	410 067	Motor cable 12AWG/4 OD=17-18 MM	*
525	410 068	Motor cable 12AWG/7 OD=20-22 MM	*
526	410 132	Motor cable 10AWG/4 OD=18-19.7 MM	*
527	410 069	Motor cable 10AWG/3-2-1-GC OD=20-22MM	*
528	410 133	Motor cable 8AWG/4 OD=24-26MM	*
529	410 134	Motor cable 8AWG/3-2-1-GC OD=27-29 MM	*
530	410 135	Motor cable 6AWG/3-2-1-GC OD=30-32 MM	*
531	410 136	Motor cable 4AWG/3-2-1-GC OD=33-35 MM	*
539	410 059	Motor cable SCREEN3X2.5MM2 OD=13.5-15	*
540	410 060	Motor cable SCREEN 6X2.5MM2 OD=18-20	*
542	410 061	Motor cable SCREEN 3X2.5+3X2.5 19-20	*
542.950	410 054	Shrink hose ID 6.4	Ordered separately.
542.962	410 034	Closed end splice 3-6(AWG 12-10) L=18	Ordered separately.
631	50 944 00	Discharge connection DN 75 HOSE 3"	1

Pos. No	Part. No	Denomination	Qty/Version 181
632	50 944 01	Discharge connection ISO G3" OUTER	1
633.971	410 028	Coupling part DN 75 G3" INNER STORZ	Ordered separately. 1
636	50 944 03	Discharge connection VICTUALIC 3"	1
638	50 944 02	Discharge connection DN 75 3-8 NPT OUTER	1
641	50 919 00	Discharge connection DN 100 HOSE 4"	1
643	50 919 01	Discharge connection ISO G4" OUTER	1
643.972	410 029	Coupling part DN 100 G4" INNER STORZ	Ordered separately. 1
646	50 919 03	Discharge connection VICTUALIC 4"	1
648	50 919 02	Discharge connection DN 100 NPT 4-8 OUTER	1
661	51 038 05	Discharge connection DN 150 HOSE 6"	1
662	51 038 06	Discharge connection ISO G6" OUTER	1
663	51 038 06	Discharge connection ISO G6" OUTER	1
663.974	410 099	Coupling part DN 150 G6" INNER STORZ	Ordered separately. 1
666	51 038 09	Discharge connection VICTUALIC 6"	1
668	51 038 08	Discharge connection DN 150 NPT 6-8 OUTER	1
800	51 068 00	O-ring kits	Contains all position numbered O-rings. 1
801	51 080 00	Zinc anode set	1
900	51 074 00	Basic repair kit	1
900.1	410 100	Ball bearing 3306A- 2Z/C3VT113	1
900.2	50 287 04	Ball bearing 6304-2Z/C3WT 20X52X15	1
900.3	410 107	Pressure equalizer L=650MM	1
900.4	51 027 22	Mechanical seal	1
900.5	51 068 00	O-ring kits	Contains all position numbered O-rings. 1
901	410 685	Plug contact 380-415V 3-PH 32A CEE 4P	1
901	50 100 01	Plug contact 380-415V 3-PH 32A CEE 5P	1

Pos. No	Part. No	Denomination	Qty/Version 181
901	50 102 01	Phase shifter 220-575V 0-22A	1
901	50 102 02	Phase shifter 220-575V 0-48A	1
902	51 125 01	Adapter unit	1

* Quantity per meter



Grindex AB • Box 7025 • SE-174 07 Sundbyberg • Sweden • Tel +46 8 606 66 00 • Fax +46 8 745 53 28 • marketing@grindex.com

© Grindex AB. The original instruction is in English. All non-English instructions are translations of the original instruction.