

2

MANUAL

EDILGRAPPA
SINGLE-ACTING
INTERCHANGEABLE HEAD
T22
SPARE PARTS

INDEX

0 SPARE PARTS AND ACCESSORIES CATALOGUE	3
0.01 ORDERING INFORMATION.....	3
0.02 MECHANICAL COMPONENTS.....	3
COMPONENTS OF T22 CUTTING HEAD P/N 1.50.117	4

0 SPARE PARTS AND ACCESSORIES CATALOGUE



THE COMPANY DECLINES ALL LIABILITY FOR INJURY TO PEOPLE OR DAMAGE TO PROPERTY IF TECHNICAL ASSISTANCE IS NOT PERFORMED BY QUALIFIED AND AUTHORISED STAFF.



FOR TECHNICAL ASSISTANCE AND MAINTENANCE, CONTACT AN AUTHORISED SERVICE CENTRE OR WRITE TO cut@edilgrappa.com.

0.01 ORDERING INFORMATION

Orders for spare parts must be accompanied by the following information:

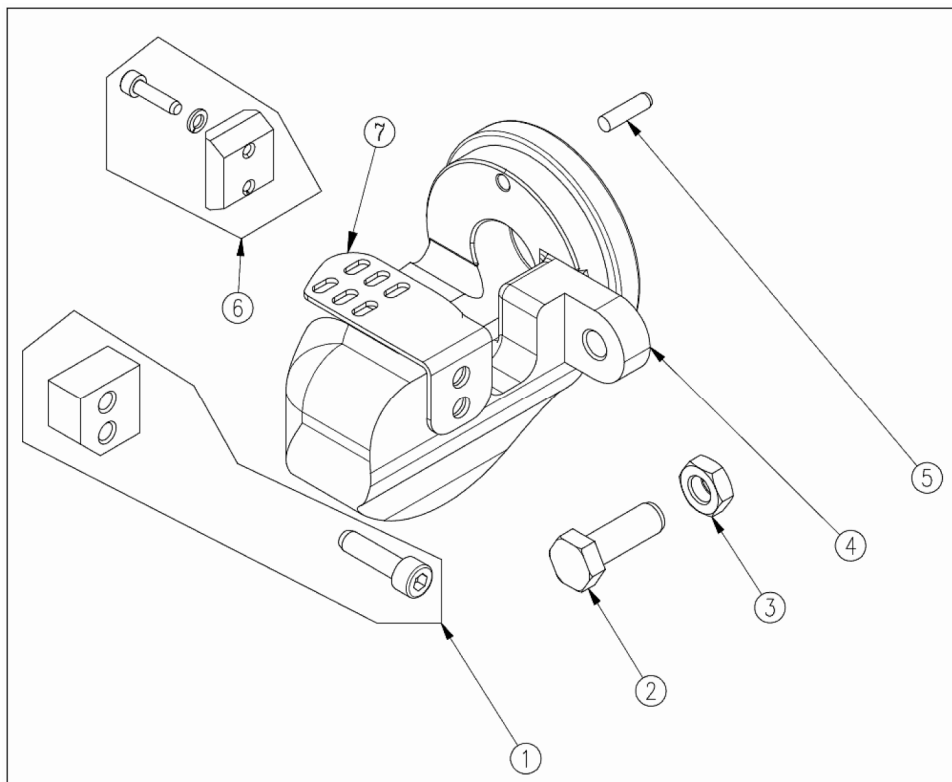
1. Type of equipment
2. Serial number indicated on CE plate (see MU22N machine body manual)
3. Part number or position in exploded drawing
4. Quantity
5. Revision status indicated on the back cover of the manual.

The Manufacturer can only supply the appropriate spare part if the required data is complete, since subsequent improvements may have entailed structural variations to the equipment and therefore to the spare parts.

0.02 MECHANICAL COMPONENTS

The following page contains an exploded diagram of the head, complete with codes, descriptions and quantities of each component

COMPONENTS OF T22 CUTTING HEAD P/N 1.50.117



COMPONENTS OF T22 CUTTING HEAD P/N 1.50.117

POS	P/N	ITEM	PCS
1	1.50.1398	FIXED BLADE ASSEMBLY	1
2	1.60.760	SCREW	1
3	1.60.202	NUT	1
4	1.10.074	HEAD	1
5	1.10.185	CYLINDRICAL PIN	1
6	1.50.1399	MOBILE BLADE ASSEMBLY	1
7	1.10.5604	FIXED BLADE GUARD	1

FIXED BLADE ASSEMBLY P/N 1.50.1398_0

P/N	ITEM	PCS
1.10.054	FIXED BLADE	1
1.60.101	SCREW	2

MOBILE BLADE ASSEMBLY P/N 1.50.1399_0

P/N	ITEM	PCS
1.10.055	MOBILE BLADE	1
1.60.314	WASHER	2
1.60.105	HSHC (hexagon socket head cap) SCREW	2

NOTES

NOTES

EDILGRAPPA Srl
**MACHINES AND EQUIPMENT FOR THE BUILDING TRADE, INDUSTRY
AND RESCUE**

31030 BORSO DEL GRAPPA (TV) - ITALY - Via Callesello, 4
Tel. 0423 910122 – Telefax 0423 542122

E-mail: cut@edilgrappa.com <http://www.edilgrappa.com>