



**DIESEL DRIVEN  
PUMPS  
DWP SERIES**

GENERAL CATALOGUE

# GENERAC FACTORY



GENERAC MOBILE PRODUCTS SRL - ITALY



GENERAC POWER SYSTEMS, INC. - USA

## A LEADING ITALIAN COMPANY SINCE 1997.



Since 1997, we have dedicated ourselves to the production of mobile lighting towers. This focus has allowed us to develop innovative products with high performance, versatility and reliability. In 2013 Tower Light was acquired by Generac Power Systems, Inc., the leading American manufacturer of commercial, industrial and portable power generators. This acquisition allowed Tower Light to take a new step forward the development of new innovative products, as like engine driven pumps and power generators. On March 2015 Tower Light Srl has changed its name into Generac Mobile Products srl. We are a company with ISO 9001 certification and we have established ourselves as the dominant player in the European market, with a worldwide presence and a continuous growth throughout the years.



# PUMP RANGE

## DWP-S Series



- Dry vacuum assisted pumps
- 2000 continuous hours without maintenance
- 5 Models from 4" to 12"
- Heavy duty silence-proof canopy
- Bunded tank base
- 1500-1800 rpm, water cooled engine

Page 6-7

## DWP-OW/OA Series



- Dry vacuum assisted pumps
- 2000 continuous hours without maintenance
- 5 Models from 4" to 12"
- Open set version
- Control panel easy to be used
- 1500-1800 rpm, water or air cooled engine

Page 8-9

## DWP-SP Series



- Self priming pumps
- 5 Models from 4" to 12"
- Open set version on skid base
- Simple to be used and handled
- 1450-2200 rpm, air cooled engine

Page 10-11

# HIGH EFFICIENCY PUMPS

## DRY VACUUM PUMPS

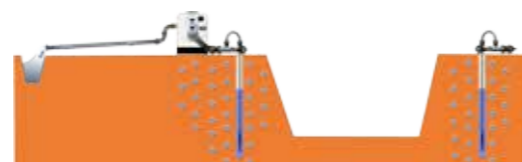
The Generac DWP-S, DWP-OA and DWP-OW lines of portable engine driven pumps are purposely built with a 50m<sup>3</sup>/h high performance dry vacuum style pump that guarantees rapid self-priming with minimal operating expense. Continual performance can be attributed to the diaphragm vacuum pump's automatic priming even when loaded with significant air intake. These lines can be used in different range of applications: construction and mine sites dewatering, well point, sewage and by-pass are just a few of the many applications in which this impressive line of pumps can be used.



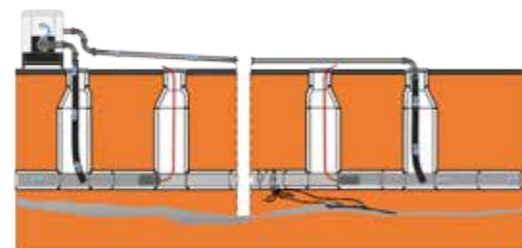
Passive drainage



Active drainage



Active drainage by well point system



Hydraulic by-pass



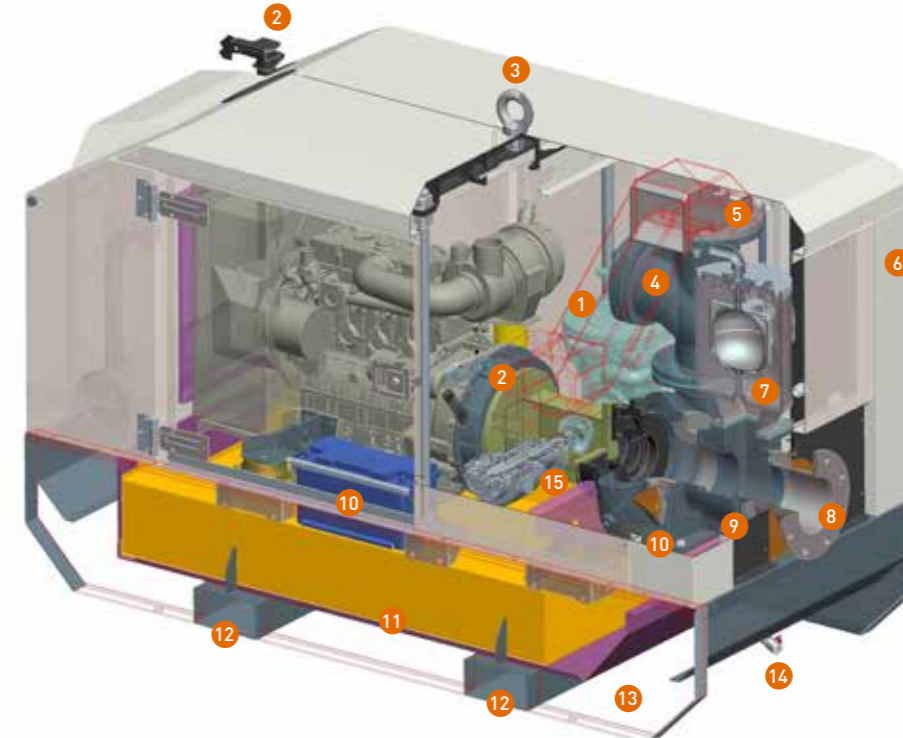
Hydraulic big-flow by-pass

## SELF-PRIMING PUMPS

The range of DWP-SP self-priming pumps are built for pumping water with solids holdup, containing sand and mud. The special design makes these pumps suitable for different applications, used at contractor sites, civil service and industry where unclean liquid pumping and water displacement necessary. The open impeller has wide passages for control solids, the standard version is in cast iron type spheroidal with high wear resistance.

The standard models are built on skid base; on request is available on an off-road trailer.

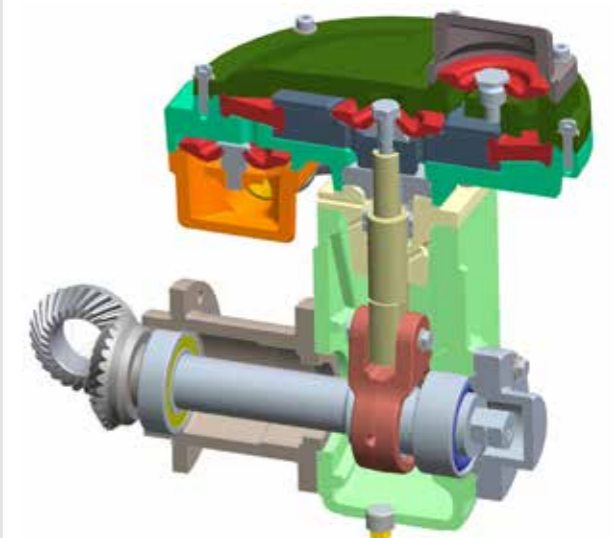
# DRY VACUUM TECHNOLOGY



- 1 Dry vacuum pump
- 2 Exhaust
- 3 Central lifting eye
- 4 Non return valve
- 5 Outlet manifold
- 6 Control panel side
- 7 Air/water separator
- 8 Water inlet coupling
- 9 Pump body and impeller
- 10 Battery
- 11 Fuel tank
- 12 Forklift pockets
- 13 Bunded tank
- 14 Drain system valve
- 15 Additional dry vacuum pump (on request)

## DRY VACUUM PUMP FEATURES:

- Carter in high resistance aluminum
- Kinematics motion in carbon stainless steel
- Diaphragm and Viton valves that allow to use the pump for 2.000 hours without any type of maintenance/substitution
- Double bearing and roll cage
- Volute in cast iron
- Oil lubrication
- Max standard flow: 50 m<sup>3</sup>/h
- Diaphragm pump
- It doesn't require re-fill of water and oil
- Possibility to fit a second dry vacuum pump to increase the max vacuum flow (up to 100m<sup>3</sup>/h)



# DWP-S Series

SILENCED VACUUM-ASSISTED PUMPS FROM 4" TO 12" WATER COOLED



	Inlet/Outlet size	Max. capacity	Max. head	Solid handling	Impeller diam.	Max. flow	Engine	Min./Max. speed	Dimension (W x L x H)	Fuel tank capacity	Running time (min. rpm @75%)	Dry weight
DWP-S4	4"	2950 l/min	32 m	34 mm	245 mm	175 m³/h	Perkins 403C-15G	1500/1800 rpm	1000 x 2150 x 1350 mm	175 l	62,5 h	1036 kg
DWP-S6	6"	5500 l/min	32 m	75 mm	245 mm	330 m³/h	Perkins 404D-22	1500/1800 rpm	1000 x 2150 x 1350 mm	175 l	43,7 h	1125 kg
DWP-S8	8"	10900 l/min	32 m	80 mm	278 mm	650 m³/h	Perkins 1104D-44T	1500/1800 rpm	1100 x 2900 x 1600 mm	410 l	36,6 h	1400 kg
DWP-S10	10"	16000 l/min	30 m	90 mm	310 mm	960 m³/h	Perkins 1104D-44T	1500/1800 rpm	1600 x 3400 x 1900 mm	410 l	36,6 h	2100 kg
DWP-S12	12"	18000 l/min	30 m	90 mm	320 mm	1080 m³/h	Perkins 1106	1500/1800 rpm	1600 x 3400 x 1900 mm	410 l	14,7 h	2200 kg

## FEATURES

- 50 m³/h dry vacuum system
- 8,5 m self-priming
- Bunded base with drain plug with 110% liquid containment capacity
- High capacity tank for a long running time without refuelling
- High performance pump end
- Male/female connectors for an external fuel tank
- Control panel with engine alarms, RPM throttle and emergency stop button
- Engine speed from 1500 to 1800 RPM
- Easy access maintenance doors
- Silenced model with a sound level from 65 to 68 dBA at 7 meters
- Heavy duty frame and robust skid base complete with forklift pockets and central lifting eye
- Water cooled Perkins engine
- Low maintenance requiring



## STANDARD PUMP CONTROL PANEL

The standard version of this series has a control panel with the following features:

- Starting key
- Hour counter
- Fuel level monitor
- Vacuum meter
- Battery charge signal lamp
- Oil level signal lamp
- Water temperature signal lamp
- Pre-heating signal lamp

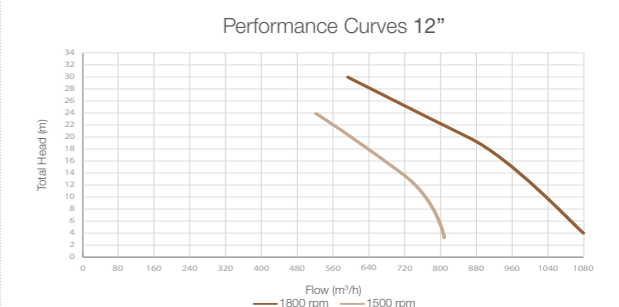
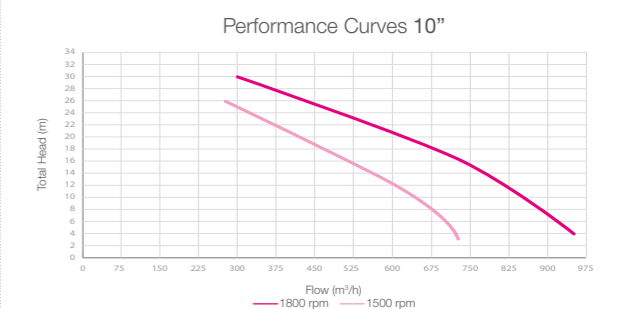
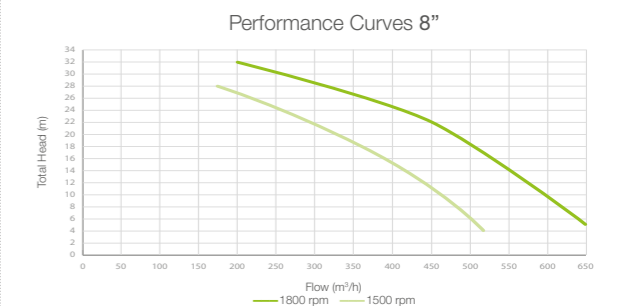
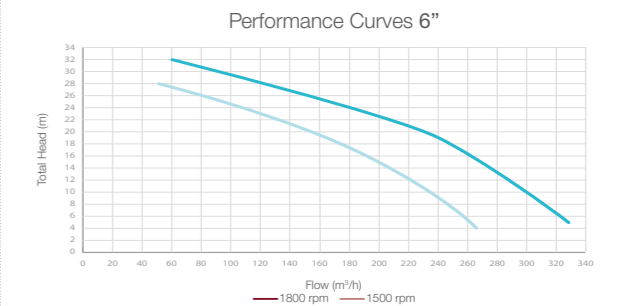
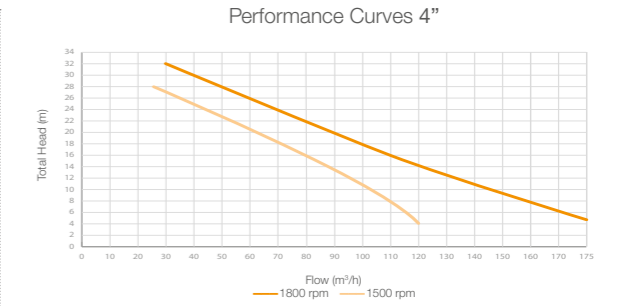
## OPTIONS - ACCESSORIES

- Customer color (RAL) (single or double)
- Inlet-Outlet polyethylene tubes with couplings and strainer
- Off-road trailer
- Pre-heating element
- Electric motor
- Second dry vacuum pump to increase the maximum flow up to 100 m³/h
- Treatment for salt water

## OPTIONAL AUTO-START/STOP PUMP CONTROLLER

As option you can get an electronic controller specifically designed for pumps. Its automatic features eliminate the need for personnel to be sent to the worksite, because the functionality of the pump can be programmed or controlled remotely.

- Manual/automatic regulation of engine speed
- Control of hydraulic circuit pressure and engine speed
- Automatic or remote start/stop of the pump
- Engine protection
- Historical failure list
- No. 2 floats for managing the automatic start/stop



# DWP-OW/OA Series

OPEN VACUUM-ASSISTED PUMPS FROM 4" TO 12" WATER OR AIR COOLED



## FEATURES

- 50 m<sup>3</sup>/h dry vacuum system
- 8,5 m self-priming
- High capacity tank for a long running time without refuelling
- High performance pump end
- Male/female connectors for an external fuel tank
- Control panel with engine alarms, RPM throttle and emergency stop button
- Engine speed from 1500 to 1800 RPM
- Robust skid base complete with forklift pockets and central lifting eye
- Water cooled Perkins engine or Air cooled Deutz engine
- Low maintenance requiring



## STANDARD PUMP CONTROL PANEL

The standard version of this series has a control panel with the following features:

- Starting key
- Hour counter
- Fuel level monitor
- Vacuum meter
- Battery charge signal lamp
- Oil level signal lamp
- Water temperature signal lamp
- Pre-heating signal lamp

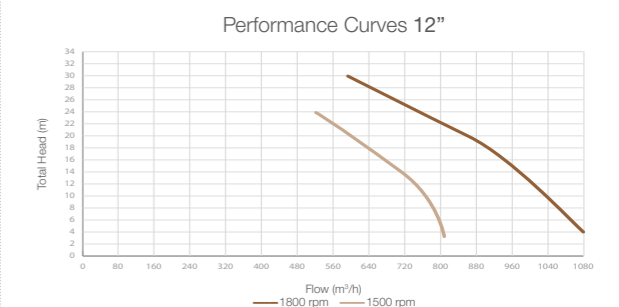
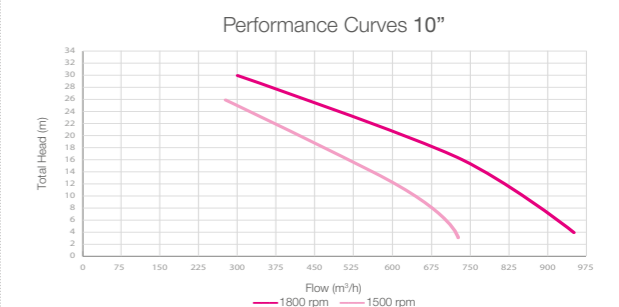
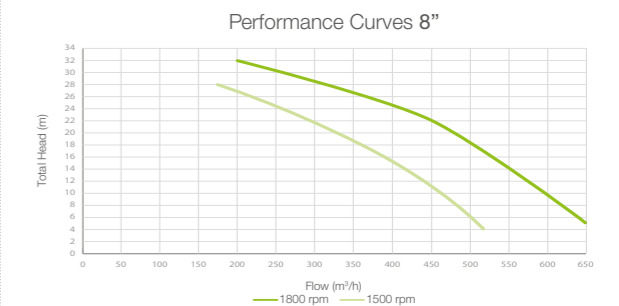
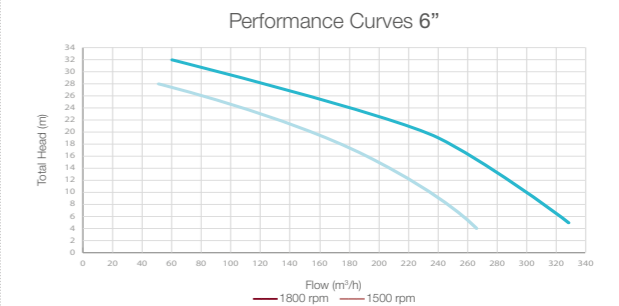
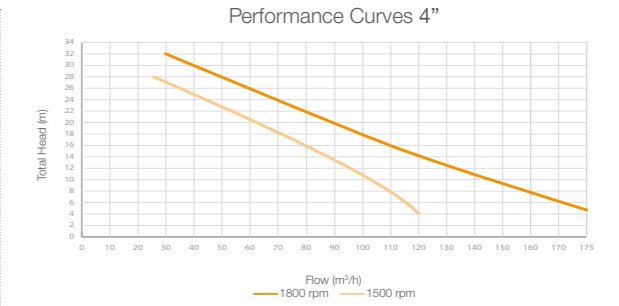
## OPTIONS - ACCESSORIES

- Customer color (RAL) (single or double)
- Inlet-Outlet polyethylene tubes with couplings and strainer
- Off-road trailer
- Pre-heating element
- Electric motor
- Second dry vacuum pump to increase the maximum flow up to 100 m<sup>3</sup>/h
- Treatment for salt water
- Top roof canopy

## OPTIONAL AUTO-START/STOP PUMP CONTROLLER

As option you can get an electronic controller specifically designed for pumps. Its automatic features eliminate the need for personnel to be sent to the worksite, because the functionality of the pump can be programmed or controlled remotely.

- Manual/automatic regulation of engine speed
- Control of hydraulic circuit pressure and engine speed
- Automatic or remote start/stop of the pump
- Engine protection
- Historical failure list
- No. 2 floats for managing the automatic start/stop



	Inlet/Outlet size	Max. capacity	Max. head	Solid handling	Impeller diam.	Max. flow	Engine	Min./Max. speed	Dimension (W x L x H)	Fuel tank capacity	Running time (min. rpm @75%)	Dry weight
DWP-OW/OA4	4"	2950 l/min	32 m	34 mm	245 mm	175 m <sup>3</sup> /h	OW: Perkins 403D-15G OA: Deutz F2L-2011	1500/1800 rpm	980 x 2010 x 1220 mm	175 l	OW: 62,5 h OA: 67,3 h	800 kg
DWP-OW/OA6	6"	5500 l/min	32 m	75 mm	245 mm	330 m <sup>3</sup> /h	OW: Perkins 404D-22 OA: Deutz F3L-2011	1500/1800 rpm	980 x 2010 x 1220 mm	175 l	OW: 43,7 h OA: 46 h	890 kg
DWP-OW/OA8	8"	10900 l/min	32 m	80 mm	278 mm	650 m <sup>3</sup> /h	OW: Perkins 1104D-44T OA: Deutz F6L-912	1500/1800 rpm	1080 x 2760 x 1470 mm	410 l	OW: 36,6 h OA: 60,3 h	1170 kg
DWP-OW/OA10	10"	16000 l/min	30 m	90 mm	310 mm	960 m <sup>3</sup> /h	OW: Perkins 1104D-44T OA: Deutz F6L-912	1500/1800 rpm	1580 x 3260 x 1770 mm	410 l	OW: 36,6 h OA: 40,6 h	1870 kg
DWP-OW/OA12	12"	18000 l/min	30 m	90 mm	320 mm	1080 m <sup>3</sup> /h	OW: Perkins 1106 OA: Deutz BF6L-914	1500/1800 rpm	1580 x 3260 x 1770 mm	410 l	OW: 14,7 h OA: 19,6 h	1970 kg

# DWP-SP Series

OPEN SELF PRIMING PUMPS FROM 4" TO 12"  
AIR COOLED



## FEATURES

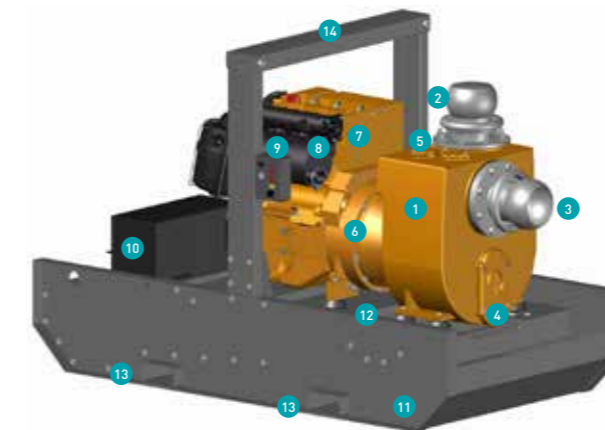
- 8 m self-priming
- High performance pump end
- Long running fuel tank
- Open blades impeller and wear plate in spheroidal cast iron
- Mechanical seal: Widia on widia without maintenance
- Body pump in cast iron type EN JGL 250
- Control panel with engine alarms, RPM throttle and emergency stop button
- Heavy duty skid base complete with forklift pockets and central lifting eye
- Air cooled Deutz engine



## STANDARD PUMP CONTROL PANEL

The standard version of this series has a control panel with the following features:

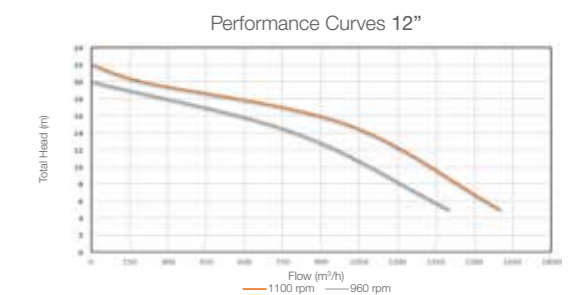
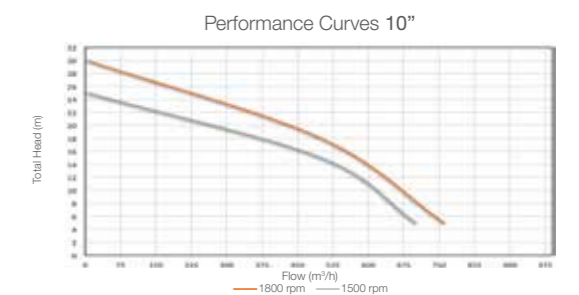
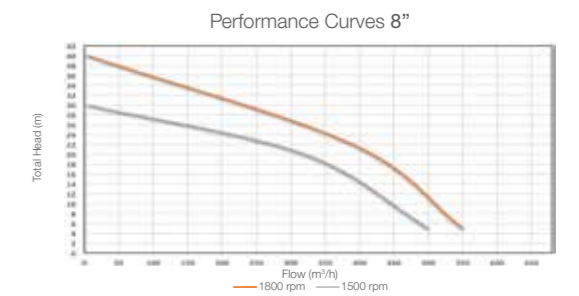
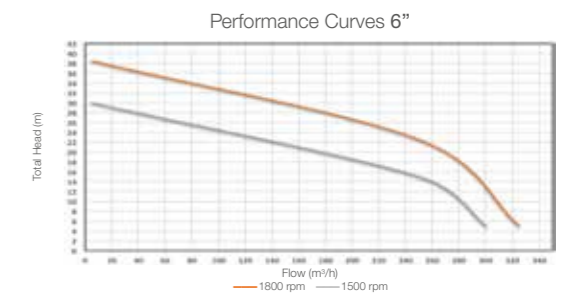
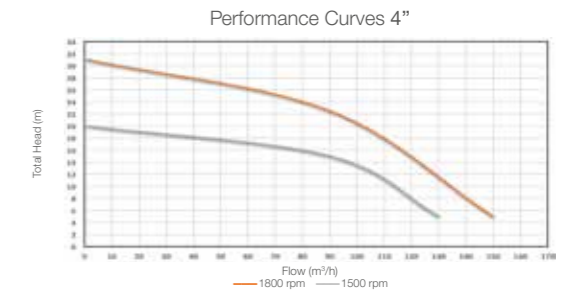
- Starting key
- Hour counter
- Fuel level monitor
- Battery charge signal lamp
- Oil level signal lamp
- Water temperature signal lamp
- Pre-heating signal lamp



- 1 Casing
- 2 Water Outlet
- 3 Water Inlet
- 4 Inspection plate
- 5 Inlet plates
- 6 Bell coupling
- 7 Engine
- 8 Exhaust
- 9 Frontal panel
- 10 Battery support plate
- 11 Skid base
- 12 Fuel tank
- 13 Forklift pockets
- 14 Lifting frame

## OPTIONS - ACCESSORIES

- Customer color (RAL) (single or double)
- Inlet-Outlet polyethylene tubes with couplings and strainer
- Off-road trailer
- Pre-heating element
- Electric motor
- Treatment for salt water



	Inlet/Outlet size	Max. capacity	Max. head	Solid handling	Impeller diam.	Max. flow	Engine	Min./Max. speed	Dimension (W x L x H)	Fuel tank capacity	Running time (min. rpm @75%)	Dry weight
DWP-SP4	4"	2500 l/min	31 m	40 mm	198 mm	150 m³/h	Deutz F2L-2011	1450/2200 rpm	700 x 1400 x 1200 mm	128 l	49,2 h	500 kg
DWP-SP6	6"	5450 l/min	38 m	77 mm	356 mm	325 m³/h	Deutz F3L-2011	1450/2200 rpm	1000 x 2000 x 1300 mm	128 l	33,7 h	850 kg
DWP-SP8	8"	9200 l/min	40 m	50 mm	344 mm	550 m³/h	Deutz F4L-912	1450/2200 rpm	1000 x 3500 x 1300 mm	170 l	25 h	1500 kg
DWP-SP10	10"	12700 l/min	30 m	85 mm	375 mm	760 m³/h	Deutz F6L-912	1450/1800 rpm	1000 x 3500 x 1600 mm	300 l	29,7 h	2150 kg
DWP-SP12	12"	25000 l/min	23 m	90 mm	398 mm	1500 m³/h	Deutz BF6M-1013-FC	960/1100 rpm	1000 x 3500 x 1600 mm	300 l	14,4 h	2250 kg



DISTRIBUTOR:

**GENERAC**® | **MOBILE  
PRODUCTS**

**Generac Mobile Products Srl**  
Part of Generac Power Systems, Inc.  
Via Stazione, 3 bis - 27030 Villanova d'Ardenghi (PV) - Italy  
Tel +39.0382.567011 - [gmp.srl@generac.com](mailto:gmp.srl@generac.com)  
[www.towerlight.com](http://www.towerlight.com) | [www.generacmobileproducts.com](http://www.generacmobileproducts.com)