

# Installation, Operation, and Maintenance Manual

8120.280 Sandy Inox





# Table of Contents

<b>Introduction and Safety</b> .....	<b>3</b>
Introduction.....	3
Safety terminology and symbols.....	3
Product warranty.....	4
Safety.....	5
User safety.....	5
Environmental safety.....	6
<b>Transportation and Storage</b> .....	<b>7</b>
Inspect the delivery.....	7
Inspect the package.....	7
Inspect the unit.....	7
Transportation guidelines.....	7
Lifting.....	7
Temperature ranges for transportation, handling and storage.....	7
Storage guidelines.....	8
<b>Product Description</b> .....	<b>9</b>
Pump design.....	9
Monitoring equipment.....	9
Separate overload protection.....	9
The data plate.....	10
Approvals.....	10
<b>Installation</b> .....	<b>11</b>
Install the pump.....	11
Install.....	12
Make the electrical connections.....	13
Product-specific precautions.....	15
Prepare the SUBCAB™ cables.....	15
Connect the motor cable to the pump.....	17
Cable charts.....	18
Check the impeller rotation: Pumps without built-in motor protection.....	20
Check the phase sequence: Pumps with built-in motor protection.....	21
<b>Operation</b> .....	<b>24</b>
Start the pump.....	24
Clean the pump.....	25
<b>Maintenance</b> .....	<b>26</b>
Torque values.....	26
Service.....	27
Inspection.....	28
Major overhaul.....	29
Change the oil.....	29
Replace the impeller.....	29
Remove the impeller.....	30
Install the impeller.....	30

<b>Troubleshooting</b> .....	<b>31</b>
The pump delivers too little or no water.....	31
The pump does not start, for pumps with SMART™ .....	32
The pump runs but the motor protection trips.....	33
The pump stops during operation.....	33
<b>Technical Reference</b> .....	<b>35</b>
Application limits.....	35
Specific motor data.....	35
Dimensions and weights.....	36
Performance curves.....	36

# Introduction and Safety

## Introduction

### Purpose of this manual

The purpose of this manual is to provide necessary information for:

- Installation
- Operation
- Maintenance



### CAUTION:

Read this manual carefully before installing and using the product. Improper use of the product can cause personal injury and damage to property, and may void the warranty.

### NOTICE:

Save this manual for future reference, and keep it readily available at the location of the unit.




## Safety terminology and symbols

### About safety messages

It is extremely important that you read, understand, and follow the safety messages and regulations carefully before handling the product. They are published to help prevent these hazards:

- Personal accidents and health problems
- Damage to the product
- Product malfunction

### Hazard levels

Hazard level	Indication
 <b>DANGER:</b>	A hazardous situation which, if not avoided, will result in death or serious injury
 <b>WARNING:</b>	A hazardous situation which, if not avoided, could result in death or serious injury
 <b>CAUTION:</b>	A hazardous situation which, if not avoided, could result in minor or moderate injury
<b>NOTICE:</b>	<ul style="list-style-type: none"> <li>• A potential situation which, if not avoided, could result in undesirable conditions</li> <li>• A practice not related to personal injury</li> </ul>

## Hazard categories

Hazard categories can either fall under hazard levels or let specific symbols replace the ordinary hazard level symbols.

Electrical hazards are indicated by the following specific symbol:



---

### Electrical Hazard:

---

These are examples of other categories that can occur. They fall under the ordinary hazard levels and may use complementing symbols:

- Crush hazard
- Cutting hazard
- Arc flash hazard

## Product warranty

### Coverage

Grindex undertakes to remedy the following faults in products sold by Grindex under the following conditions:

- The faults are due to defects in design, materials or workmanship.
- The faults are reported to an Grindex representative within the warranty period.
- The product is used only under the conditions described in this manual.
- The monitoring equipment incorporated in the product is correctly connected and in use.
- All service and repair work is done by personnel authorized by Grindex.
- Genuine Grindex parts are used.

### Limitations

The warranty does not cover faults caused by the following:

- Deficient maintenance
- Improper installation
- Modifications or changes to the product and installation carried out without consulting Grindex
- Incorrectly executed repair work
- Normal wear and tear

Grindex assumes no liability for the following:

- Bodily injuries
- Material damages
- Economic losses

### Warranty claim

Grindex products are high-quality products with expected reliable operation and long life. However, should the need arise for a warranty claim, please contact your Grindex representative.

### Spare parts

Grindex guarantees that spare parts will be available for 10 years after the manufacture of this product has been discontinued.

## Safety



---

**WARNING:**

- The operator must be aware of safety precautions to prevent physical injury.
  - Operating, installing, or maintaining the unit in any way that is not covered in this manual could cause death, serious personal injury, or damage to the equipment. This includes any modification to the equipment or use of parts not provided by Grindex. If there is a question regarding the intended use of the equipment, please contact a Grindex representative before proceeding.
  - This manual clearly identifies accepted methods for disassembling units. These methods must be adhered to. Trapped liquid can rapidly expand and result in a violent explosion and injury. Never apply heat to impellers, propellers, or their retaining devices to aid in their removal.
  - Do not change the service application without the approval of an authorized Grindex representative.
- 



---

**CAUTION:**

You must observe the instructions contained in this manual. Failure to do so could result in physical injury, damage, or delays.

---

## User safety

### General safety rules

These safety rules apply:

- Always keep the work area clean.
- Pay attention to the risks presented by gas and vapors in the work area.
- Avoid all electrical dangers. Pay attention to the risks of electric shock or arc flash hazards.
- Always bear in mind the risk of drowning, electrical accidents, and burn injuries.

### Safety equipment

Use safety equipment according to the company regulations. Use this safety equipment within the work area:

- Hard hat
  - Safety goggles, preferably with side shields
  - Protective shoes
  - Protective gloves
  - Gas mask
  - Hearing protection
  - First-aid kit
  - Safety devices
- 

**NOTICE:**

Never operate a unit unless safety devices are installed. Also see specific information about safety devices in other chapters of this manual.

---

### Electrical connections

Electrical connections must be made by certified electricians in compliance with all international, national, state, and local regulations. For more information about requirements, see sections dealing specifically with electrical connections.

## Hazardous liquids

The product is designed for use in liquids that can be hazardous to your health. Observe these rules when you work with the product:

- Make sure that all personnel who work with biologically hazardous liquids are vaccinated against diseases to which they may be exposed.
- Observe strict personal cleanliness.

## Wash the skin and eyes

Follow these procedures for chemicals or hazardous fluids that have come into contact with your eyes or your skin:

Condition	Action
Chemicals or hazardous fluids in eyes	<ol style="list-style-type: none"> <li>1. Hold your eyelids apart forcibly with your fingers.</li> <li>2. Rinse the eyes with eyewash or running water for at least 15 minutes.</li> <li>3. Seek medical attention.</li> </ol>
Chemicals or hazardous fluids on skin	<ol style="list-style-type: none"> <li>1. Remove contaminated clothing.</li> <li>2. Wash the skin with soap and water for at least 1 minute.</li> <li>3. Seek medical attention, if necessary.</li> </ol>

## Environmental safety

### The work area

Always keep the station clean to avoid and/or discover emissions.

### Waste and emissions regulations

Observe these safety regulations regarding waste and emissions:

- Dispose appropriately of all waste.
- Handle and dispose of the processed liquid in compliance with applicable environmental regulations.
- Clean up all spills in accordance with safety and environmental procedures.
- Report all environmental emissions to the appropriate authorities.



### CAUTION: Radiation Hazard

Do NOT send the product to Xylem if it has been exposed to nuclear radiation, unless Xylem has been informed and appropriate actions have been agreed upon.

### Electrical installation

For electrical installation recycling requirements, consult your local electric utility.

### Recycling guidelines

Always recycle according to the guidelines listed below:

1. Follow local laws and regulations regarding recycling if the unit or parts are accepted by an authorized recycling company.
2. If the first guideline is not applicable, then return the unit or parts to the nearest Grindex representative.



# Transportation and Storage

## Inspect the delivery

### Inspect the package

1. Inspect the package for damaged or missing items upon delivery.
2. Note any damaged or missing items on the receipt and freight bill.
3. File a claim with the shipping company if anything is out of order.

If the product has been picked up at a distributor, make a claim directly to the distributor.

### Inspect the unit

1. Remove packing materials from the product.  
Dispose of all packing materials in accordance with local regulations.
2. Inspect the product to determine if any parts have been damaged or are missing.
3. If applicable, unfasten the product by removing any screws, bolts, or straps.  
For your personal safety, be careful when you handle nails and straps.
4. Contact the local sales representative if there is any issue.

## Transportation guidelines

### Precautions




---

#### **DANGER: Crush Hazard**

Moving parts can entangle or crush. Always disconnect and lock out power before servicing to prevent unexpected startup. Failure to do so could result in death or serious injury.

---

### Position and fastening

The unit can be transported and stored either horizontally or vertically. Make sure that the unit cannot roll or fall over.

### Lifting



Always inspect the lifting equipment and tackle before starting any work.

---

#### **WARNING: Crush Hazard**

1) Always lift the unit by its designated lifting points. 2) Use suitable lifting equipment and ensure that the product is properly harnessed. 3) Wear personal protective equipment. 4) Stay clear of cables and suspended loads.

---

#### **NOTICE:**

Never lift the unit by its cables or hose.

---

## Temperature ranges for transportation, handling and storage

### Handling at freezing temperature

At temperatures below freezing, the product and all installation equipment, including the lifting gear, must be handled with extreme care.

Make sure that the product is warmed up to a temperature above the freezing point before starting up. Avoid rotating the impeller/propeller by hand at

temperatures below the freezing point. The recommended method to warm the unit up is to submerge it in the liquid which will be pumped or mixed.

---

**NOTICE:**

Never use a naked flame to thaw the unit.

---

**Unit in as-delivered condition**

If the unit is still in the condition in which it left the factory - all packing materials are undisturbed - then the acceptable temperature range during transportation, handling and storage is:  $-50^{\circ}\text{C}$  ( $-58^{\circ}\text{F}$ ) to  $+60^{\circ}\text{C}$  ( $+140^{\circ}\text{F}$ ).

If the unit has been exposed to freezing temperatures, then allow it to reach the ambient temperature of the sump before operating.

**Lifting the unit out of liquid**

The unit is normally protected from freezing while operating or immersed in liquid, but the impeller/propeller and the shaft seal may freeze if the unit is lifted out of the liquid into a surrounding temperature below freezing.

Units equipped with an internal cooling system are filled with a mixture of water and 30% glycol. This mixture remains a flowing liquid at temperatures down to  $-13^{\circ}\text{C}$  ( $9^{\circ}\text{F}$ ). Below  $-13^{\circ}\text{C}$  ( $9^{\circ}\text{F}$ ), the viscosity increases such that the glycol mixture will lose its flow properties. However, the glycol-water mixture will not solidify completely and thus cannot harm the product.

Follow these guidelines to avoid freezing damage:

1. Empty all pumped liquid, if applicable.
2. Check all liquids used for lubrication or cooling, both oil and water-glycol mixtures, for the presence of unacceptable amounts of water. Change if needed.

## Storage guidelines

**Storage location**

The product must be stored in a covered and dry location free from heat, dirt, and vibrations.

---

**NOTICE:**

- Protect the product against humidity, heat sources, and mechanical damage.
  - Do not place heavy weights on the packed product.
- 

**Long-term storage**

If the unit is stored more than six months, then the following apply:

- Before operating the unit after storage, it must be inspected with special attention to the seals and the cable entry.
- The impeller/propeller must be rotated every other month to prevent the seals from sticking together.

# Product Description

## Products included

Pump model	Standard	EX	MSHA	Drainage	Sludge
Sandy INOX 8120.280	X				X

## Pump design

The pump is submersible, and driven by an electric motor.

### Intended use

The product is intended for moving waste water, sludge, raw and clean water. Always follow the limits given in [Application limits](#) (page 35). If there is a question regarding the intended use of the equipment, please contact a Grindex representative before proceeding.



### **DANGER: Explosion/Fire Hazard**

Special rules apply to installations in explosive or flammable atmospheres. Do not install the product or any auxiliary equipment in an explosive zone unless it is rated explosion-proof or intrinsically-safe. If the product is EN/ATEX-, MSHA- or FM-approved, then see the specific EX information in the Safety chapter before taking any further actions.

For information about pH, see [Application limits](#) (page 35).

### Particle size

The pump can handle liquid containing particles that correspond to the pump housing inlet.

### Pressure class

N Medium head

### Impeller type

Sludge

## Monitoring equipment

The following applies to the monitoring equipment of the pump:

- The stator incorporates thermal contacts connected in series that activate the alarm at overtemperature.
- The thermal contacts open at 130°C (266°F) and close at 100°C (212°F).

## Separate overload protection

Pumps without built-in motor protection must be provided with separate overload protection. Pumps without built-in motor protection have the following label:



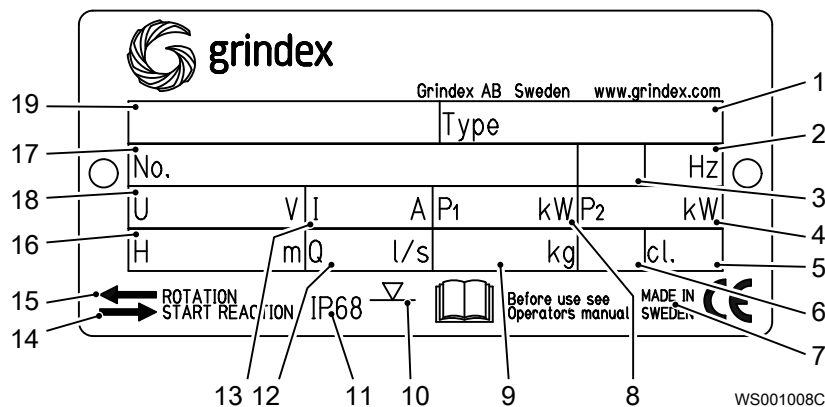
This pump must be used with separate overload protection in accordance with technical data.

## The data plate

### Introduction

The data plate is a metal label located on the main body of the pump. The data plate lists key product specifications.

### The data plate



1. Pump type number
2. Frequency
3. Phases, type of current
4. Rated shaft power
5. Thermal class
6. Locked rotor code-letter
7. Country of origin
8. Maximum power consumption
9. Product weight
10. Maximum submersion depth
11. Degree of protection
12. Maximum capacity
13. Rated current
14. Direction of the start reaction
15. Direction of the impeller rotation
16. Maximum head
17. Serial number
18. Rated voltage
19. Pump model

## Approvals

### Product approvals for hazardous locations

# Installation

## Install the pump

Before starting work, make sure that the safety instructions in the chapter *Introduction and Safety* (page 3) have been read and understood.



### **DANGER: Electrical Hazard**

Before starting work on the unit, make sure that the unit and the control panel are isolated from the power supply and cannot be energized. This applies to the control circuit as well.



### **DANGER: Inhalation Hazard**

Before entering the work area, make sure that the atmosphere contains sufficient oxygen and no toxic gases.

## Hazardous atmospheres



### **DANGER: Explosion/Fire Hazard**

Special rules apply to installations in explosive or flammable atmospheres. Do not install the product or any auxiliary equipment in an explosive zone unless it is rated explosion-proof or intrinsically-safe. If the product is EN/ATEX-, MSHA- or FM-approved, then see the specific EX information in the Safety chapter before taking any further actions.



### **WARNING: Explosion/Fire Hazard**

Do not install CSA-approved products in locations that are classified as hazardous in the National Electric Code(TM), ANSI/NFPA 70-2005.

## Authority regulation

Vent the tank of a sewage station in accordance with local plumbing codes.

## Sedimentation prevention

In order to avoid sedimentation when the pumped liquid contains solid particles, the velocity of the liquid in the discharge line must exceed a certain value. Choose applicable minimum velocity from the table, and choose proper dimension of the discharge line accordingly.

Mixture	Minimum velocity, meter per second (feet per second)
Water + coarse gravel	4 (13)
Water + gravel	3.5 (11)
Water + sand, particle size <0.6 mm (0.024 in)	2.5 (8.2)
Water + sand, particle size <0.1 mm (0.004 in)	1.5 (4.9)

For more permanent installations with a heavily contaminated pumped liquid, a settling pump-sump is recommended.

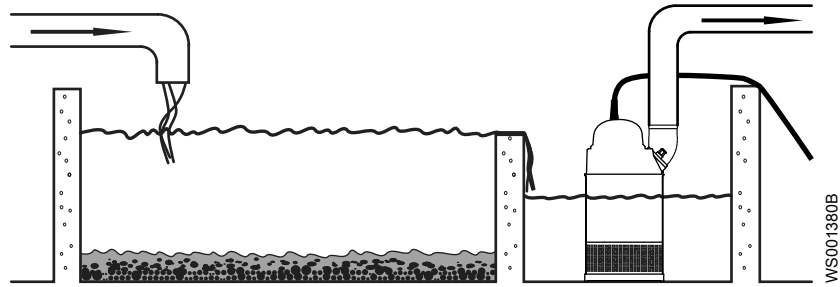
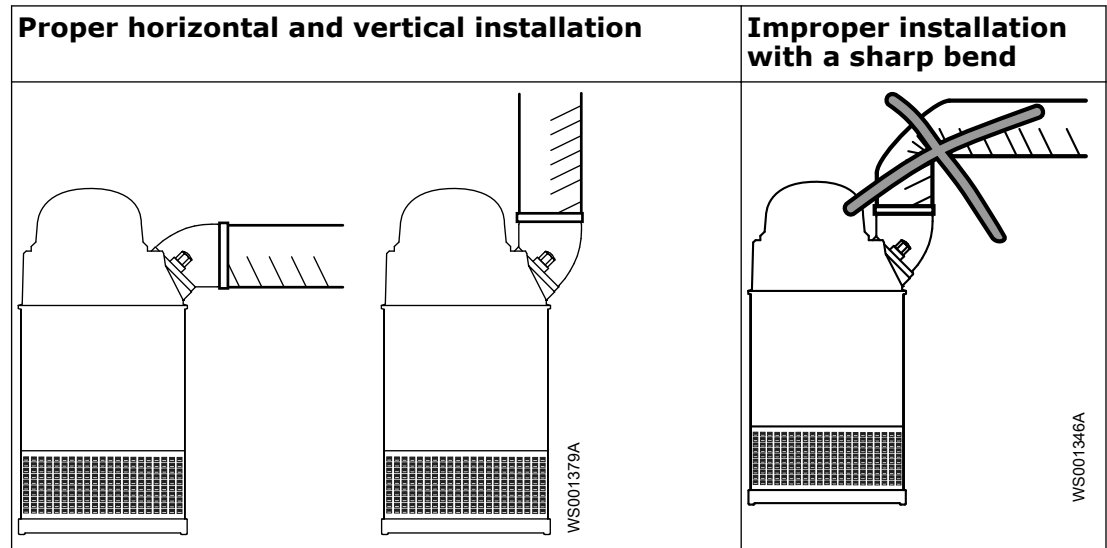


Figure 1: Settling pump-sump

### Discharge line requirements

The discharge line can be run vertically or horizontally, but must be without sharp bends.



### Fasteners

- Only use fasteners of the proper size and material.
- Replace all corroded fasteners.
- Make sure that all fasteners are properly tightened and that there are no missing fasteners.

### Install

The pump is transportable and intended to operate either completely or partially submerged in the pumped liquid. The pump is equipped with a connection for hose or pipe.

These requirements and instructions only apply when the installation is made according to the dimensional drawing.

1. Run the cable so that it has no sharp bends, is not pinched, and cannot be sucked into the pump inlet.
2. Connect the discharge line.

The discharge line can be run vertically or horizontally, but must be without sharp bends.

3. Lower the pump into the sump.

The cable must not be used for this purpose. You should attach a rope or similar to the handle or the eye bolts for lowering and lifting the pump.

Heavier pumps must be lifted and lowered down by crane. Suspend the pump by the lifting handle or the eye bolts with chains or wires.

4. Place the pump on the base and make sure it cannot fall over or sink.  
The base should consist of a plank, a bed of coarse gravel, or a cut-down and perforated oil drum.  
Alternatively, the pump can be suspended with a lifting chain just above the sump bottom. Make sure that the pump cannot rotate at start-up or during operation.
5. Connect the motor cable and the starter and monitoring equipment according to the separate instructions.  
Make sure that the phase sequence is correct. For more information, see [Check the phase sequence: Pumps with built-in motor protection](#) (page 21).

## Make the electrical connections

### General precautions




---

#### **DANGER: Electrical Hazard**

Before starting work on the unit, make sure that the unit and the control panel are isolated from the power supply and cannot be energized. This applies to the control circuit as well.

---




---

#### **WARNING: Electrical Hazard**

Risk of electrical shock or burn. A certified electrician must supervise all electrical work. Comply with all local codes and regulations.

---




---

#### **WARNING: Electrical Hazard**

There is a risk of electrical shock or explosion if the electrical connections are not correctly carried out, or if there is fault or damage on the product. Visually inspect equipment for damaged cables, cracked casings or other signs of damage. Make sure that electrical connections have been correctly made.

---




---

#### **WARNING: Crush Hazard**

Risk of automatic restart.

---




---

#### **CAUTION: Electrical Hazard**

Prevent cables from becoming sharply bent or damaged.

---



---

#### **NOTICE:**

Leakage into the electrical parts can cause damaged equipment or a blown fuse. Keep the cable ends dry at all times.

---

### Requirements

These general requirements apply for electrical installation:

- The supply authority must be notified before installing the pump if it will be connected to the public mains. When the pump is connected to the public power supply, it may cause flickering of incandescent lamps when started.
- The mains voltage and frequency must agree with the specifications on the data plate. If the pump can be connected to different voltages, then the connected voltage is specified by a yellow sticker close to the cable entry.

- The fuses and circuit breakers must have the proper rating, and the pump overload protection (motor protection breaker) must be connected and set to the rated current according to the data plate and if applicable the cable chart. The starting current in direct-on-line start can be up to six times higher than the rated current.
- The fuse rating and the cables must be in accordance with the local rules and regulations.
- If intermittent operation is prescribed, then the pump must be provided with monitoring equipment supporting such operation.
- The thermal contacts/thermistors must be in use.

**Cables**

These are the requirements to follow when you install cables:

- The cables must be in good condition, not have any sharp bends, and not be pinched.
- The sheathing must not be damaged and must not have indentations or be embossed (with markings, etc.) at the cable entry.
- The cable entry seal sleeve and washers must conform to the outside diameter of the cable.
- The minimum bending radius must not be below the accepted value.
- If using a cable which has been used before, a short piece must be peeled off when refitting it so that the cable entry seal sleeve does not close around the cable at the same point again. If the outer sheath of the cable is damaged, then replace the cable. Contact a Grindex service shop.
- The voltage drop in long cables must be taken into account. The drive unit’s rated voltage is the voltage measured at the cable connection point in the pump.
- For SUBCAB™ cables, the twisted pair copper foil must be trimmed.

**Grounding (earthing)**

Grounding (earthing) must be done in compliance with all local codes and regulations.



**DANGER: Electrical Hazard**

All electrical equipment must be grounded (earthed). Test the ground (earth) lead to verify that it is connected correctly. Frequently inspect electrical systems to ensure that the path to ground is continuous.



**WARNING: Electrical Hazard**

If the power cable is jerked loose, then the ground (earth) conductor must be the last conductor to come loose from its terminal. Make sure that the ground (earth) conductor is longer than the phase conductors at both ends of the cable.



**WARNING: Electrical Hazard**

Risk of electrical shock or burn. You must connect an additional ground- (earth-) fault protection device to the grounded (earthed) connectors if persons are likely to come into contact with liquids that are also in contact with the pump or pumped liquid.

**Ground (earth) conductor length**

The ground (earth) conductor must be 150 mm (6.0 in) longer than the phase conductors in the junction box of the unit.



## Product-specific precautions

### Short-circuit protection

The short-circuit protection should be in accordance with the rated data shown on the data plate. Use time-delay fuses rated  $1.5 \times$  the rated current for the actual pump.

### Pumps without built-in motor protection

Pumps without built-in motor protection have an additional data plate.

The following requirements apply:

- The thermal overload circuit breaker/relay must conform to the rated current and motor power input of the actual pump. The overload relay should be set as follows:

Start option	Overload relay setting
DOL start	$1.1 \times$ the rated current (line current)
Y/D start	$0.58 \times$ the rated current (phase current)

- The pump must be equipped with an external motor starter with a protection system. Use any of the following alternatives:
  - On/off switch, thermal overload magnetic circuit breaker/relay, and integrated thermal monitoring system (for connection of motor thermal contacts circuit T1/T2)
  - On/off switch and thermal overload circuit breaker/relay

### Connection of the pump to a local power source

The following recommendations apply:

- Make sure that the local power source can start and run the actual pump. The following maximum power kVA values for the generator are recommended:

Table 1: DOL start

Number of pumps driven by the same generator	Recommended maximum power kVA values for the generator, as a multiple $\times$ the maximum power consumption for one pump
1	3
2	4.5

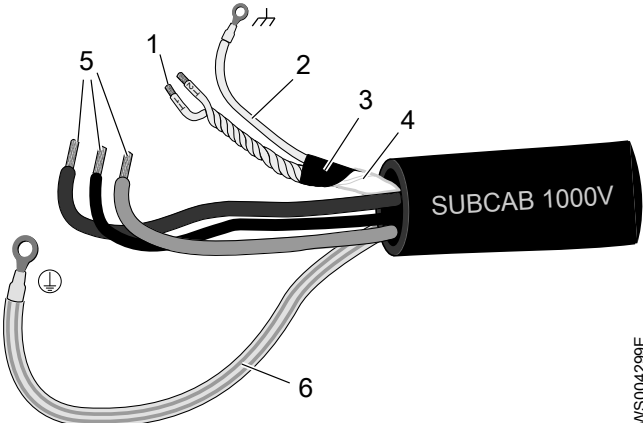
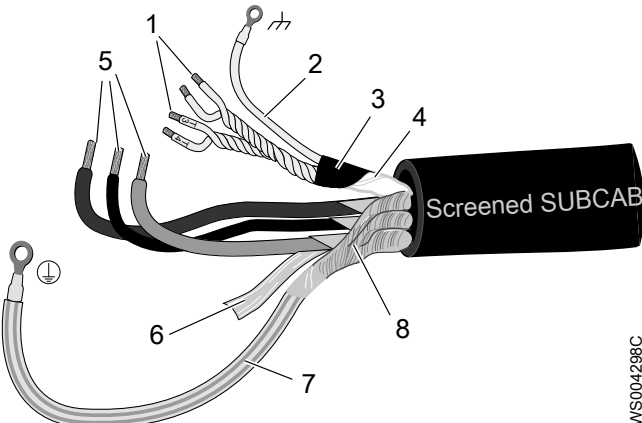
Table 2: Y/D start

Number of pumps driven by the same generator	Recommended maximum power kVA values for the generator, as a multiple $\times$ the maximum power consumption for one pump
1	2.3
2	3.4

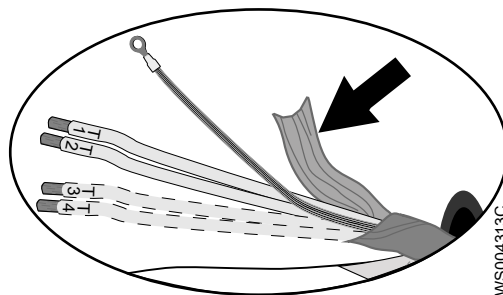
- Consult the generator manufacturer about the generator capabilities.
- Do not use the Generator set Auto idle function.

### Prepare the SUBCAB™ cables

This section applies to SUBCAB™ cables with twisted-pair control cores.

The prepared SUBCAB™ cable	The prepared screened SUBCAB™ cable
 <p>1. T1+T2 twisted pairs in control element                  2. Drain wire in control element (bare copper wire)                  3. Screened copper pt-foil                  4. Insulation sheath (jacket) or PT-foil for control element                  5. Power cores                  6. Ground (earth) core</p> <p style="text-align: right; font-size: small;">WS004299E</p>	 <p>1. T1+T2 and T3+T4 twisted pairs in control element                  2. Drain wire in control element (bare copper wire)                  3. Screened copper pt-foil                  4. Insulation sheath (jacket) for control element                  5. Power cores                  6. Aluminum foil                  7. Ground (earth) core with green/yellow shrink hose                  8. Uncovered screen/braided wire</p> <p style="text-align: right; font-size: small;">WS004298C</p>

1. Peel off the outer sheath at the end of the cable.
2. Prepare the control element:
  - a) Peel the sheath (if applicable) and the copper foil.  
 The copper foil is a screen and is conductive. Do not peel more than necessary, and remove the peeled foil.



**Figure 2: Copper foil on control element.**

- b) Put a white shrink hose over the drain wire and the cable terminal.
  - c) Fit a cable lug on the drain wire.
  - d) Twist T1+T2 and T3+T4.
  - e) Put a shrink hose over the control element.  
 Make sure that the conductive copper foil and drain wire is covered.
3. Prepare the ground (earth) core for SUBCAB™ cable:
  - a) Peel the yellow-green insulation from the ground (earth) core.
  - b) Check that the ground (earth) core is at least 10% longer than the phase cores in the cabinet.
  - c) If applicable, put a cable lug on the ground core.
4. Prepare the ground (earth) core for screened SUBCAB™ cable:
  - a) Untwist the screens around the power cores.
  - b) Put a yellow-green shrink hose over the ground (earth) core.  
 Leave a short piece uncovered.
  - c) If applicable, put a cable lug on the screened ground core.

- d) Twist all power core screens together to create a ground (earth) core and fit a cable terminal to the end.
  - e) Check that the ground (earth) core is at least 10% longer than the phase cores in the cabinet.
5. How is the connection to ground (earth) made?
    - Screw: Fit cable terminals to the ground (earth) core and the power cores.
    - Terminal block: Leave the core ends as they are.
  6. Prepare the main leads:
    - a) Remove the aluminum foil around each power core.
    - b) Peel the insulation from each power core.

## Connect the motor cable to the pump

---

### **NOTICE:**

Leakage into the electrical parts can cause damaged equipment or a blown fuse. Keep the end of the motor cable dry at all times.

---

1. Check the data plate to see which connections are required for the power supply.
  2. Connect the motor cable conductors, including ground (earth) , to the terminal or starter unit.
  3. Make sure that the pump is correctly connected to ground (earth) .
  4. Firmly tighten the cable entry into its bottom-most position.  
The seal sleeve and the washers must conform to the outside diameter of the cables.
- 



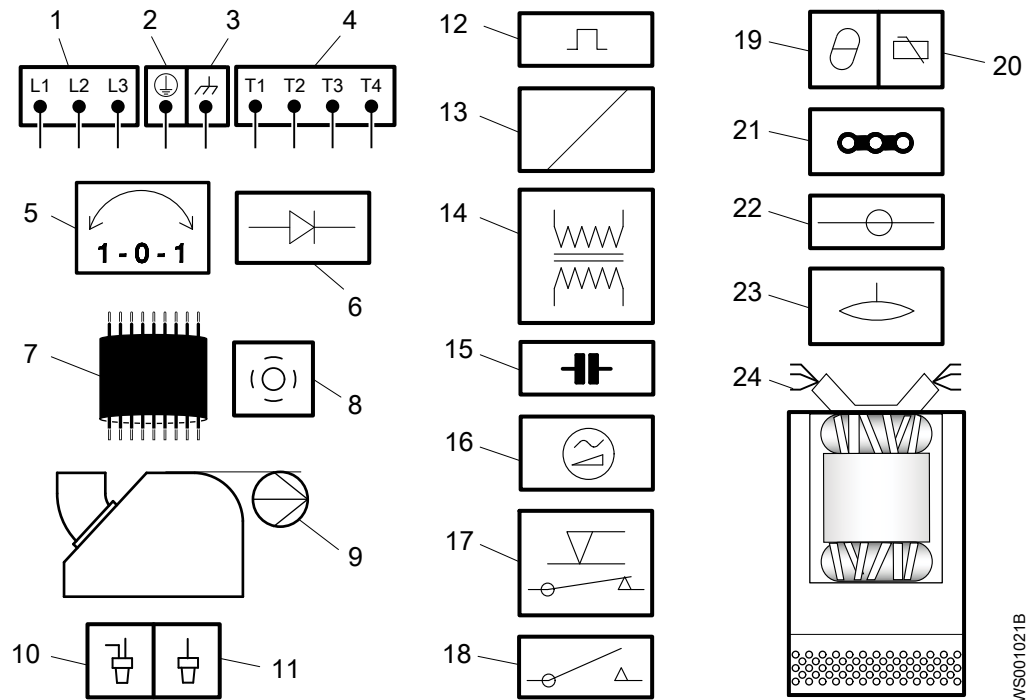
### **DANGER: Explosion/Fire Hazard**

Special rules apply to installations in explosive or flammable atmospheres. Do not install the product or any auxiliary equipment in an explosive zone unless it is rated explosion-proof or intrinsically-safe. If the product is EN/ATEX-, MSHA- or FM-approved, then see the specific EX information in the Safety chapter before taking any further actions.

---

## Cable charts

### Connection locations



WS001021B

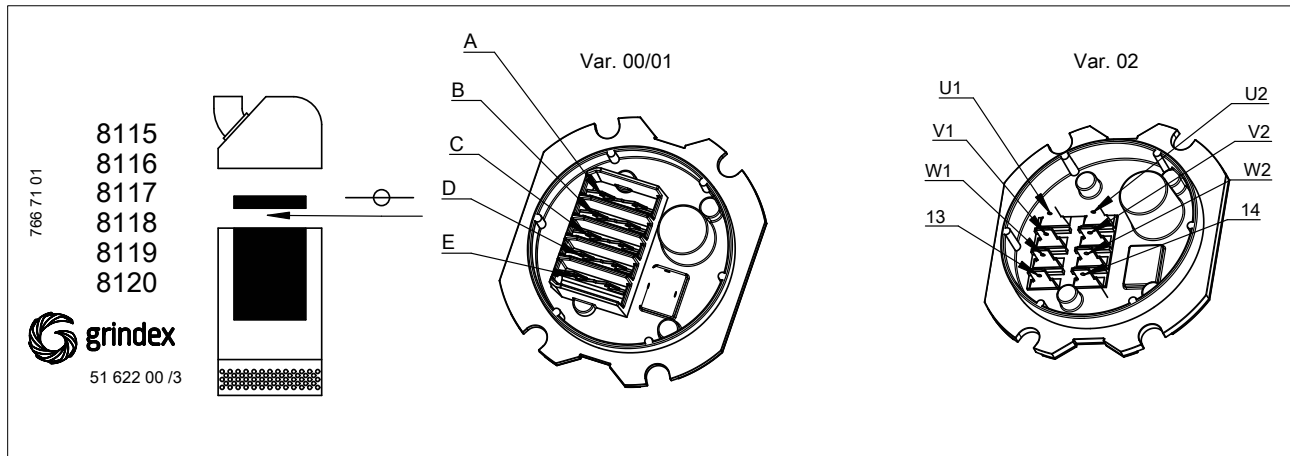
1	Starter equipment and main leads (L1, L2, L3)	13	Coil
2	Ground (earth)	14	Transformer
3	Functional ground	15	Capacitor
4	Control leads (T1, T2, T3, T4)	16	Softstarter
5	Phase shifter	17	Level regulator
6	Diode	18	Contactor, start relay or thermal relay
7	Motor cable	19	Thermal detector in stator
8	Screen	20	Thermal detector in main bearing
9	Pump	21	Jumper
10	Crimp connection	22	Terminal board, terminal plate
11	Crimp isolation	23	Leakage sensor
12	Motor protector	24	Stator leads (U1, U2, U5, U6, V1, V2, V5, V6, W1, W2, W5, W6, Z1, Z5, Z6)

### Color code standard

Code	Description
BN	Brown
BK	Black
WH	White
OG	Orange

Code	Description
GN	Green
GNYE	Green-Yellow
RD	Red
GY	Grey
BU	Blue
YE	Yellow

**Stator leads and thermal contacts connection to the terminal board**



**STATOR LEADS AND THERMAL CONTACTS**

Terminal plate	6 leads D	6 leads Y	9 leads Y serial	9 leads Y //
A	U1 W2	U1	U1	U1 U5
B	V1 U2	V1	V1	V1 V5
C	W1 V2	W1	W1	W1 W5
D	T1	T1	T1	T1
E	T2	T2	T2	T2

Terminal plate	6 leads Y/D
W1	W1
V1	V1
U1	U1
W2	W2
V2	V2
U2	U2
13	T1
14	T2

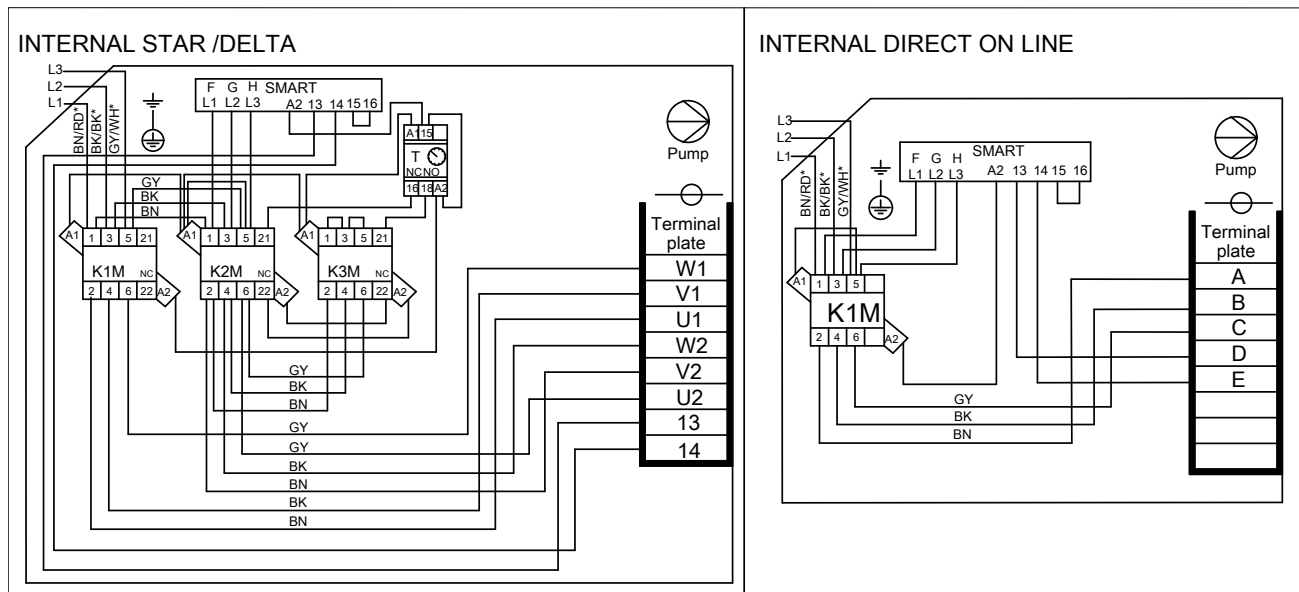
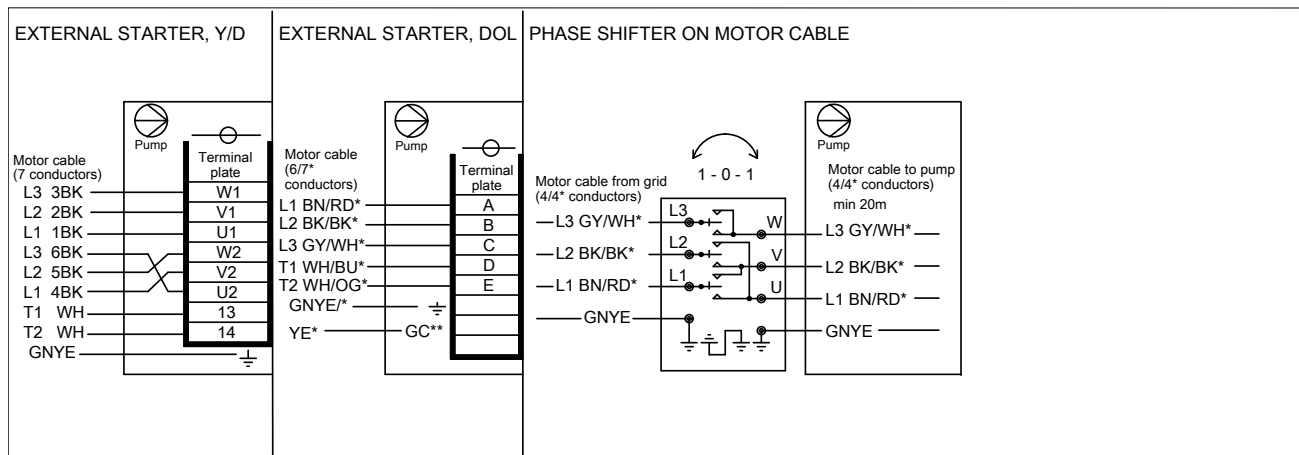
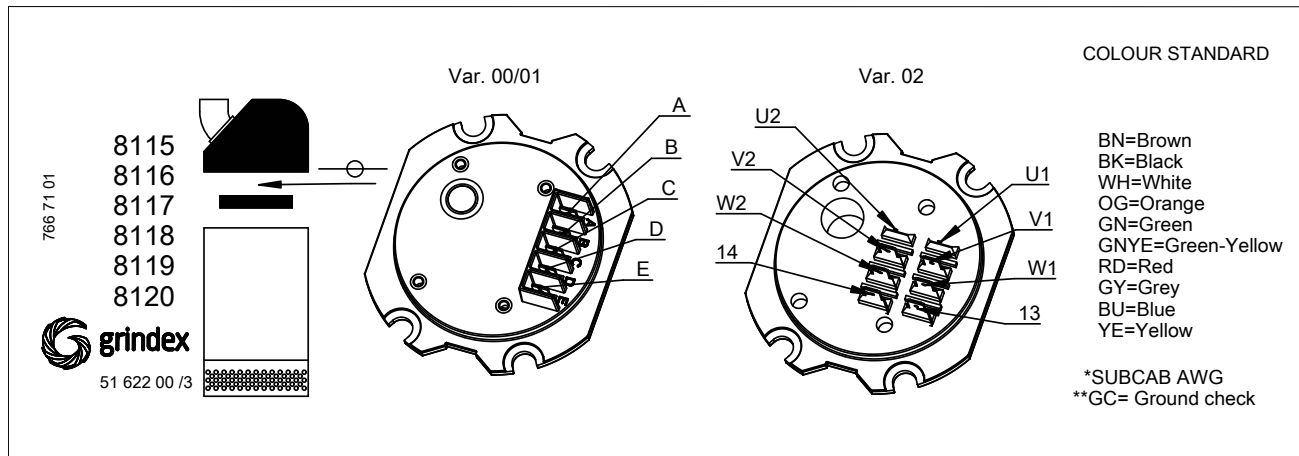
**STATOR LEADS**

- U1,U5 RD
- U2,U6 GN
- V1,V5 BN
- V2,V6 BU
- W1,W5 YE
- W2,W6 BK
- T1,T2 WH/YE

WS003574B

**Motor cable and starter unit connection to the terminal board**

Old versions of SMART do not have pin 15 & 16.



WS003575C

## Check the impeller rotation: Pumps without built-in motor protection

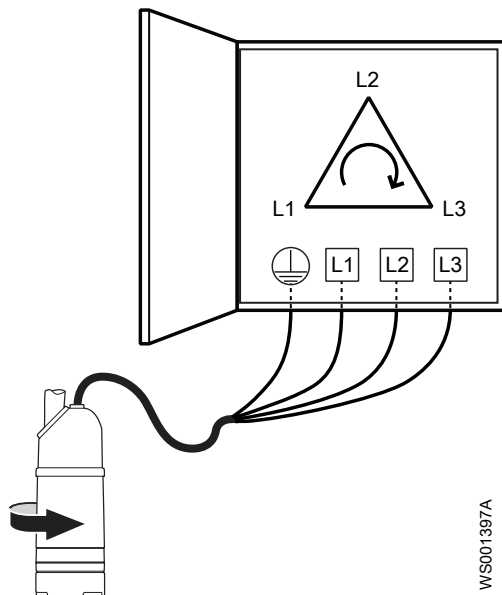
Follow this procedure if your product does not have the rotation control SMART™.

**CAUTION: Crush Hazard**

The starting jerk can be powerful. Make sure nobody is close to the unit when it is started.

Check the direction of rotation each time the cable has been re-connected and after phase or total supply failure.

1. Start the motor.
2. Stop the motor.
3. Check that the impeller rotates in the correct direction.



**Figure 3: Start reaction**

4. If the impeller rotates in the wrong direction, then do the following:
  - If the motor has a 3-phase connection, then transpose two phase conductors and repeat this procedure from step 1.

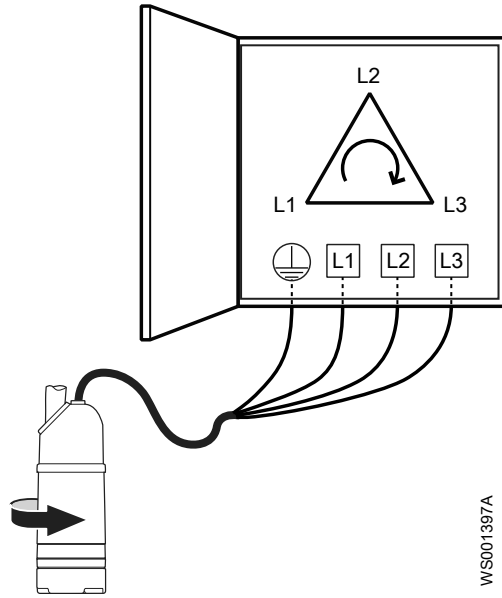
## Check the phase sequence: Pumps with built-in motor protection

Follow this procedure if your product is equipped with the rotation control SMART™.

**CAUTION: Crush Hazard**

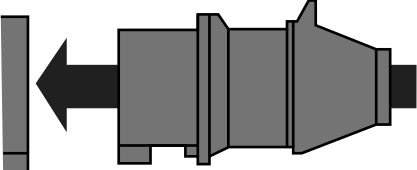
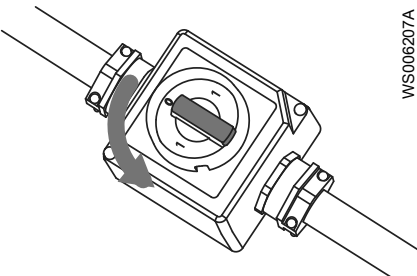
The starting jerk can be powerful. Make sure nobody is close to the unit when it is started.

The correct direction of impeller rotation is clockwise when you look at the pump from above. When started, the pump will react in the opposite direction to the impeller rotation.



**Figure 4: Start reaction**

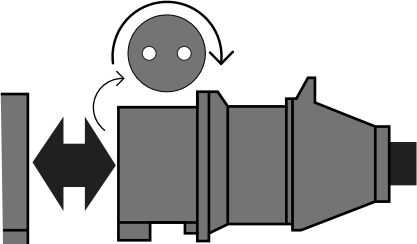
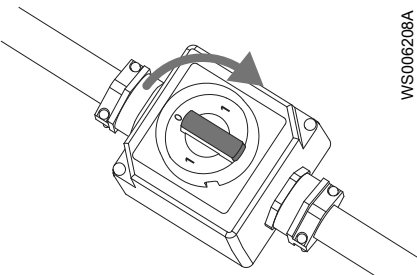
1. Connect the pump to power as follows:

Condition	Action
The pump has a CEE plug with internal phase shifter.	Connect the plug. 
The pump has a phase shifter with an on/off switch.	Turn the knob on the phase shifter in either direction. 
The pump has neither a CEE plug with internal phase shifter, nor a phase shifter with an on/off switch.	1. Connect the pump to power. 2. Switch on the power.

The pump should start. If it does not, then continue to the next step.

2. If the pump does not start and the fuses are correct, then shift two phases:



Condition	Action
The pump has a CEE plug with internal phase shifter.	<ol style="list-style-type: none"> <li>1. Pull out the plug.</li> <li>2. Shift two phases.</li> <li>3. Wait until the motor has stopped.</li> <li>4. Connect the plug.</li> </ol>  <p style="text-align: right; font-size: small;">WS006206A</p>
The pump has a phase shifter with an on/off switch.	<ol style="list-style-type: none"> <li>1. Turn the knob on the phase shifter to neutral position.</li> <li>2. Wait until the motor has stopped.</li> <li>3. Turn the knob to the opposite position from before.</li> </ol>  <p style="text-align: right; font-size: small;">WS006208A</p>
The pump has neither a CEE plug with internal phase shifter, nor a phase shifter with an on/off switch.	Transpose two phase leads on the output terminal of the starter.

**NOTICE:**

Do not reverse the phase sequence while the pump is running. Temporarily incorrect rotation can occur, resulting in damage to motor electronics and rotating parts.

The pump should start. If it does not, then contact a certified electrician to check the mains and the junctions.

# Operation

## Precautions

Before taking the unit into operation, check the following:

- All recommended safety devices are installed.
- The cable and cable entry have not been damaged.
- All debris and waste material has been removed.

---

**NOTICE:**

Never operate the pump with the discharge line blocked, or the discharge valve closed.

---



---

**WARNING: Crush Hazard**

Risk of automatic restart.

---

## Distance to wet areas



---

**WARNING: Electrical Hazard**

Risk of electrical shock or burn. You must connect an additional ground- (earth-) fault protection device to the grounded (earthed) connectors if persons are likely to come into contact with liquids that are also in contact with the pump or pumped liquid.

---



---

**CAUTION: Electrical Hazard**

Risk of electrical shock or burn. The equipment manufacturer has not evaluated this unit for use in swimming pools. If used in connection with swimming pools then special safety regulations apply.

---

## Noise level

---

**NOTICE:**

The noise level of the product is lower than 70 dB. However, the noise level of 70 dB may be exceeded in some installations and at certain operating points on the performance curve. Make sure that you understand the noise level requirements in the environment where the product is installed. Failure to do so may result in hearing loss or violation of local laws.

---

## Start the pump



---

**CAUTION: Crush Hazard**

The starting jerk can be powerful. Make sure nobody is close to the unit when it is started.

---

---

**NOTICE:**

Make sure that the rotation of the impeller is correct. For more information, see Check the impeller rotation.

---

1. Inspect the pump. Check that there is no physical damage to the pump or cables.
2. Check the oil level in the oil housing.

- 
3. Remove the fuses or open the circuit breaker, and check that the impeller can be rotated freely.



---

**WARNING: Crush Hazard**

Never put your hand into the pump housing.

---

4. Check that the monitoring equipment (if any) works.
5. Check that the impeller rotation is correct.
6. Start the pump.

## Clean the pump

The pump must be cleaned if it has been running in very dirty water. If clay, cement or other similar dirt is left in the pump it may clog the impeller and seal, preventing the pump from working.

Let the pump run for a while in clean water, or flush it through the discharge connection.

# Maintenance

## Precautions

Before starting work, make sure that the safety instructions in the chapter [Introduction and Safety](#) (page 3) have been read and understood.



---

**DANGER: Crush Hazard**

Moving parts can entangle or crush. Always disconnect and lock out power before servicing to prevent unexpected startup. Failure to do so could result in death or serious injury.

---



---

**WARNING: Biological Hazard**

Infection risk. Rinse the unit thoroughly with clean water before working on it.

---



---

**CAUTION: Crush Hazard**

Make sure that the unit cannot roll or fall over and injure people or damage property.

---

Make sure that you follow these requirements:

- Check the explosion risk before you weld or use electrical hand tools.
- Allow all system and pump components to cool before you handle them.
- Make sure that the product and its components have been thoroughly cleaned.
- Do not open any vent or drain valves or remove any plugs while the system is pressurized. Make sure that the pump is isolated from the system and that pressure is relieved before you disassemble the pump, remove plugs, or disconnect piping.

## Ground continuity verification

A ground (earth) continuity test must always be performed after service.

## Maintenance guidelines

During the maintenance and before reassembly, always remember to perform these tasks:

- Clean all parts thoroughly, particularly O-ring grooves.
- Change all O-rings, gaskets, and seal washers.
- Lubricate all springs, screws, O-rings with grease.

During the reassembly, always make sure that existing index markings are in line.

The reassembled drive unit must always be insulation-tested and the reassembled pump must always be test-run before normal operation.

## Torque values

All screws and nuts must be lubricated to achieve correct tightening torque. Screws that are screwed into stainless steel must have the threads coated with suitable lubricants to prevent seizing.

If there is a question regarding the tightening torques, please contact the local sales and service representative.

## Screws and nuts

Table 3: Stainless steel, A2 and A4, torque Nm (ft-lbs)

Property class	M4	M5	M6	M8	M10	M12	M16	M20	M24	M30
50	1.0 (0.74)	2.0 (1.5)	3.0 (2.2)	8.0 (5.9)	15 (11)	27 (20)	65 (48)	127 (93.7)	220 (162)	434 (320)
70, 80	2.7 (2)	5.4 (4)	9.0 (6.6)	22 (16)	44 (32)	76 (56)	187 (138)	364 (268)	629 (464)	1240 (915)
100	4.1 (3)	8.1 (6)	14 (10)	34 (25)	66 (49)	115 (84.8)	248 (183)	481 (355)	—	—

Table 4: Steel, torque Nm (ft-lbs)

Property class	M4	M5	M6	M8	M10	M12	M16	M20	M24	M30
8.8	2.9 (2.1)	5.7 (4.2)	9.8 (7.2)	24 (18)	47 (35)	81(60)	194 (143)	385 (285)	665 (490)	1310 (966.2)
10.9	4.0 (2.9)	8.1 (6)	14 (10)	33 (24)	65 (48)	114 (84)	277 (204)	541 (399)	935 (689)	1840 (1357)
12.9	4.9 (3.6)	9.7 (7.2)	17 (13)	40 (30)	79 (58)	136 (100)	333 (245)	649 (480)	1120 (825.1)	2210 (1630)

### Hexagon screws with countersunk heads

For hexagon socket head screws with countersunk head, maximum torque for all property classes must be 80% of the values for property class 8.8 above.

## Service

Regular inspection and service of the pump ensures more reliable operation.

Type of service	Purpose	Inspection interval
Inspection	To prevent operational interruptions and machine breakdown. Measures to secure performance and pump efficiency are defined and decided for each individual application. It can include such things as impeller trimming, wear part control and replacement, control of zinc-anodes and control of the stator.	2,000 hours or 1 year, whichever comes first. Applies to normal applications and operating conditions at media (liquid) temperatures < 40°C (104°F).
Major overhaul	To secure a long operating lifetime for the product. It includes replacement of key components and the measures taken during an inspection.	Every year, under normal operating conditions

### NOTICE:

Shorter intervals may be required when the operating conditions are extreme, for example with very abrasive or corrosive applications or when the liquid temperatures exceed 40°C (104°F).

## Inspection

Regular inspection and service of the pump ensures more reliable operation.

Service item	Action
Visible parts on the pump and installation	<ol style="list-style-type: none"> <li>1. Check that all screws, bolts, and nuts are properly tightened.</li> <li>2. Check the condition of the pump casing, strainer, cover, lifting handles, eye bolts, ropes, chains, and wires.</li> <li>3. Check for worn or damaged parts.</li> <li>4. Adjust and/or replace if necessary.</li> </ol>
Pipes, valves, and other peripheral equipment	<ol style="list-style-type: none"> <li>1. Check for worn or damaged parts.</li> <li>2. Adjust and/or replace if necessary.</li> </ol>
Impeller	<ol style="list-style-type: none"> <li>1. Check for worn or damaged parts.</li> <li>2. Adjust and/or replace if necessary.</li> </ol> <p>Wear on the impeller or surrounding parts necessitates fine adjustments of the impeller or replacement of worn parts.</p>
Oil	<p>Check the oil:</p> <ol style="list-style-type: none"> <li>1. Take an oil sample.</li> <li>2. If the oil contains particles, then replace the mechanical seal. Contact an authorized service shop.</li> </ol> <p>Make sure that the volume is filled to the correct level. A smaller amount of water is not harmful for the mechanical seal.</p>
Cable entry	<ol style="list-style-type: none"> <li>1. Check that the following requirements are met: <ul style="list-style-type: none"> <li>• The cable clamps must be properly tightened.</li> <li>• Standard pump version: The cable entry must be firmly tightened into its bottom-most position.</li> <li>• The seal sleeve and the washers must conform to the outside diameter of the cables.</li> </ul> </li> <li>2. Cut off a piece of the cable so that the seal sleeve closes around a new position on the cable.</li> <li>3. Replace the seal sleeve, if necessary.</li> </ol>
Inspection volume <sup>1</sup>	<ol style="list-style-type: none"> <li>1. Check that the inspection screw is properly tightened.</li> <li>2. Remove the inspection screw.</li> <li>3. Drain all liquid, if any.</li> <li>4. If there is oil in the inspection volume, then empty the oil and check again after one week. If there is oil in the inspection volume again, then replace the mechanical seal. Contact an authorized service shop.</li> <li>5. If there is water in the inspection volume, then check that the inspection screw O-ring is not damaged.</li> </ol>
Cable	<ol style="list-style-type: none"> <li>1. If the outer jacket is damaged, replace the cable.</li> <li>2. Check that the cables do not have any sharp bends and are not pinched.</li> </ol>
Cooling system	If the flow through the system has been partly restricted, then rinse and clean.

<sup>1</sup> Regardless of individual applications, the inspection volume should not be inspected less frequently than the intervals for normal applications and operating conditions at media (liquid) temperatures <40°C (104°F).

Service item	Action
Level sensors or other sensor equipment	<ol style="list-style-type: none"> <li>1. Check the functionality.</li> <li>2. Repair or replace any damaged equipment.</li> <li>3. Clean and adjust the equipment.</li> </ol>
Starter equipment	<ol style="list-style-type: none"> <li>1. Check the condition and functionality.</li> <li>2. Contact an electrician, if necessary.</li> </ol>
Insulation resistance in the stator	<ol style="list-style-type: none"> <li>1. Check the insulation between: <ul style="list-style-type: none"> <li>• Phase-phase on the stator</li> <li>• Phase-ground (earth)</li> </ul> <p>The insulation should be &gt; 1 megaohm. Use a 1000-VDC megger to test the insulation.</p> </li> <li>2. If the resulting value is &lt; 1 megaohm, then contact an authorized service shop.</li> </ol>

## Major overhaul

For a major overhaul, do the following in addition to the tasks listed under Inspection.

Service item	Action
Support and main bearing	Replace the bearings with new bearings.
Mechanical seal	Replace with new seal units.

## Change the oil

A paraffin oil with viscosity close to ISO VG32 is recommended. The pump is delivered from the factory with this type of oil. In applications where poisonous properties are of less concern, a mineral oil with viscosity up to ISO VG32 can be used.

### Empty the oil

1. Lay the pump on its side.  
Lock the pump with supports to prevent it from rolling over.
2. Remove the oil screw.



#### **CAUTION: Compressed Gas Hazard**

Air inside the chamber may cause parts or liquid to be propelled with force. Be careful when opening. Hold a rag over the plug to prevent liquid from spraying out.

3. Turn the pump so that the oil hole faces downwards and let the oil run out into a container.

### Fill with oil

1. Replace the oil screw O-ring.
2. Put one of the oil screws back and tighten it.
3. Turn the pump so that the oil hole faces upwards and fill with new oil.  
Quantity: 0.45 L (0.48 qt)
4. Put the oil screw back and tighten it.

## Replace the impeller

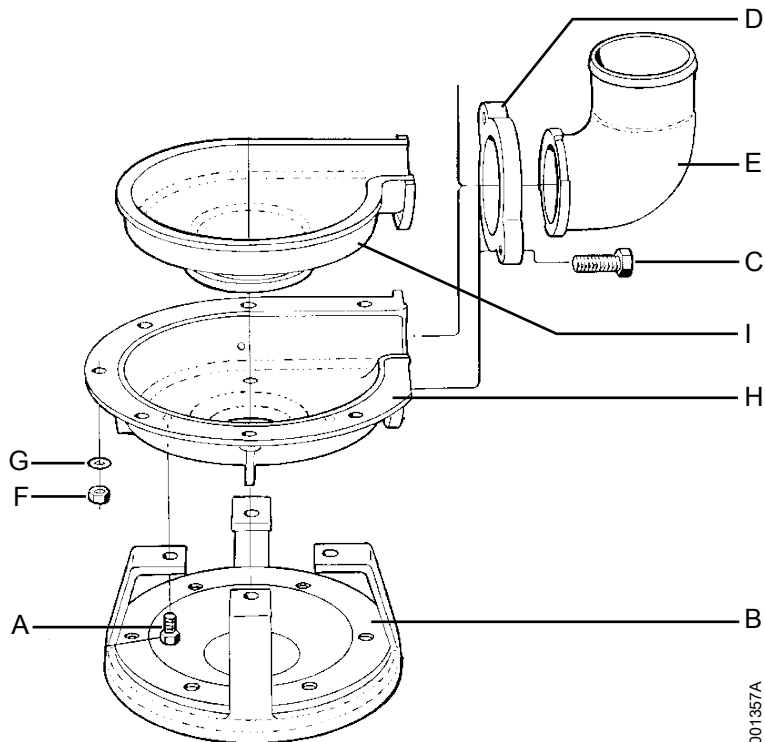
## Remove the impeller



### CAUTION: Cutting Hazard

Worn parts can have sharp edges. Wear protective clothing.

Remove the items in the image



WS001957A

- Screws (A)
- Stand (B)
- Screws (C)
- Clamp (D)
- Discharge connection (E)
- Nuts (F)
- Washers (G)
- Lower pump housing unit (H)
- Wear lining (I)

The screw (A) is of the self-locking type and must therefore not be reused.



WS001835A

## Install the impeller

1. Fit the guide plate.
2. Slide the impeller carefully onto the shaft so that the key fits into the keyway in the impeller.
3. Place the washer on the impeller screw.
4. Fit the impeller onto the shaft.
5. Tighten the impeller screw.



# Troubleshooting

## Introduction



### **DANGER: Electrical Hazard**

Troubleshooting a live control panel exposes personnel to hazardous voltages. Electrical troubleshooting must be done by a qualified electrician.

Follow these guidelines when troubleshooting:

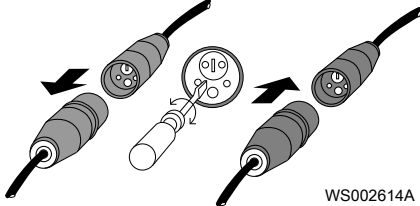
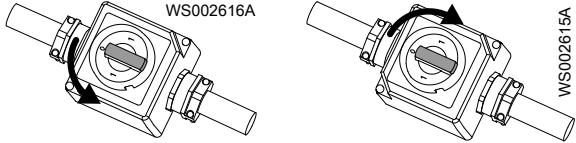
- Disconnect and lock out the power supply except when conducting checks that require voltage.
- Make sure that no one is near the unit when the power supply is reconnected.
- When troubleshooting electrical equipment, use the following:
  - Universal instrument multimeter
  - Test lamp (continuity tester)
  - Wiring diagram

## The pump delivers too little or no water

Cause	Remedy
The discharge hose is pinched or kinked.	Make sure the hose is as straight as possible.
The hose is too long, or the hose is undersized.	Try the following: <ol style="list-style-type: none"> <li>1. Make sure the right hose size is used. Shorten the hose if possible.</li> <li>2. Change to a larger pump.</li> <li>3. Check that the lifting head of the pump corresponds to the given data. The easiest way to do this is to use a pressure gauge.</li> </ol>
The pump has insufficient capacity.	Choose a pump with a larger head, or connect several pumps in a series.
The hydraulic parts are worn.	Hand the pump in for repair and fine adjustment.

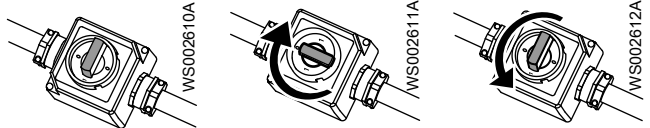

If the problem persists, contact the local Grindex service shop. Always state the product number and the serial number of your pump when you contact Grindex, see [Product Description](#) (page 9).

## The pump does not start, for pumps with SMART™

Cause	Remedy
<p>The phase sequence may be incorrect.</p>	<ol style="list-style-type: none"> <li>1. Pull out the plug.</li> <li>2. Do one of the following: <ul style="list-style-type: none"> <li>• Shift two phases by turning two contact pins with a screwdriver.</li> </ul> </li> </ol> <hr/> <p><b>NOTICE:</b> Do not take the plug apart.</p> <hr/>  <p style="text-align: right; margin-right: 50px;">WS002614A</p> <p><b>Figure 5: CEE plug</b></p> <ul style="list-style-type: none"> <li>• Turn the knob to the opposite position 1, with 8 seconds delay.</li> </ul> <hr/> <p><b>NOTICE:</b> Do not reverse the phase sequence while the motor is running. Doing so may cause incorrect rotation resulting in damages to the motor electronics and the rotating parts. Respect the 8 seconds delay.</p> <hr/>  <p style="text-align: center; margin-bottom: 10px;">WS002616A                      WS002615A</p> <p><b>Figure 6: Phase shifter On/Off switch</b></p> <ul style="list-style-type: none"> <li>• If no glove or phase shifter is used, then shift two phase conductors in the cabinet.</li> </ul>

If the problem persists, contact the local Grindex service shop. Always state the product number and the serial number of your pump when you contact Grindex, see [Product Description](#) (page 9).

## The pump runs but the motor protection trips

Cause	Remedy
The SMART™ motor protection may need to be reset.	<p>Try one of the following:</p> <ul style="list-style-type: none"> <li>• Reset the SMART™ motor protection by pulling and reinserting the power plug.</li> <li>• Or, disconnect and reconnect the power.</li> </ul> <div style="display: flex; align-items: center;">  </div> <div style="display: flex; align-items: center; margin-top: 10px;">  <div> <p><b>WARNING:</b></p> <p>The pump will restart automatically after a corrected phase fault or power cut.</p> </div> </div>
The voltage is too low.	Contact a qualified electrician.
The strainer or air valves are blocked.	Flush the pump clean.
The cooling system is clogged.	Rinse and clean the system.
The water temperature exceeds 40°C/103°F.	The pump must not be used for such an application.
The density or viscosity is too high.	Consult the distributor or Grindex.

If the problem persists, contact the local Grindex service shop. Always state the product number and the serial number of your pump when you contact Grindex, see [Product Description](#) (page 9).

## The pump stops during operation

Cause	Remedy
The cable is broken.	<p>Replace the cable. The pump is equipped with a special cable that must be replaced with a cable of the same type. It can be obtained directly from Grindex or from a representative.</p> <hr/> <p><b>NOTICE:</b></p> <p>The rubber seal must always be replaced when the cable is replaced. Make sure it is of the right size (see spare parts list) to suit the cable. The cable has to be fitted by a certified electrician.</p>
The impeller is jammed.	Contact an authorized service shop.
The motor is overheated.	Let the pump cool for a few minutes. Before you restart the pump, disconnect and reconnect the power.
The motor has broken down.	Hand the pump in to an authorized service shop.

If the problem persists, contact the local Grindex service shop. Always state the product number and the serial number of your pump when you contact Grindex, see [Product Description](#) (page 9).

# Technical Reference

## Application limits

Data	Description
Media (liquid) temperature	Maximum temperature 40°C (104°F)
pH of the pumped media (liquid)	2–10
Media (liquid) density	Maximum density: 1100 kg/m <sup>3</sup> (9.2 lb. per US gal.)
Depth of immersion	20 m (65 ft.)
Other	For specific weight, current, voltage, power rating, and speed of the pump, see the data plate on the pump. For starting current, see <a href="#">Motor data</a> (page 35). For other applications, contact the nearest Grindex representative for information.

## Motor data

Feature	Description
Motor type	Squirrel-cage induction motor
Frequency	50 or 60 Hz
Supply	3-phase
Starting method	Direct on-line Star-delta
Maximum starts per hour	30 evenly spaced starts per hour
Code compliance	IEC 60034-1
Voltage variation without overheating	±10%, provided that it does not run continuously at full load
Voltage imbalance tolerance	2%
Maximum frequency variation (for pumps with SMART™)	±3 Hz
Stator insulation class	F (155°C [310°F])

## Specific motor data

### 3-phase, 50 Hz

Motor type:

- 2,820 rpm
- Rated output 6.3 kW (8.4 hp)

Voltage (V)	Rated current (A)	Starting current (A)
380 Y	12	72
400 Y	12	77
415 Y	12	80
500 D	9.4	51
550 D	8.7	57

**3-phase, 60 Hz**

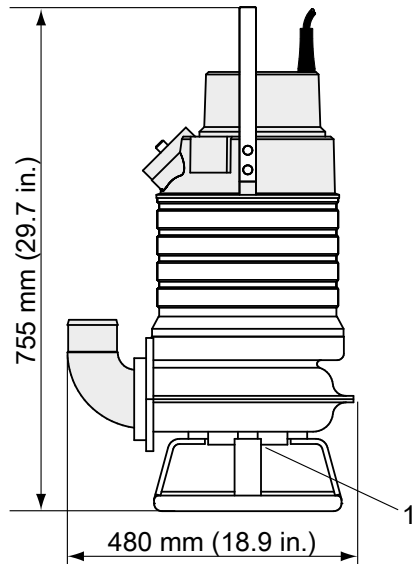
Motor type:

- 3,440 rpm
- Rated output 6.7 kW (9.0 hp)

Voltage (V)	Rated current (A)	Starting current (A)
220 Y parallel	22	153
230 Y parallel	21	161
440 Y serial	11	77
460 Y serial	11	81
575 D	8.6	67
600 D	8.5	70

**Dimensions and weights**

**Sandy INOX**



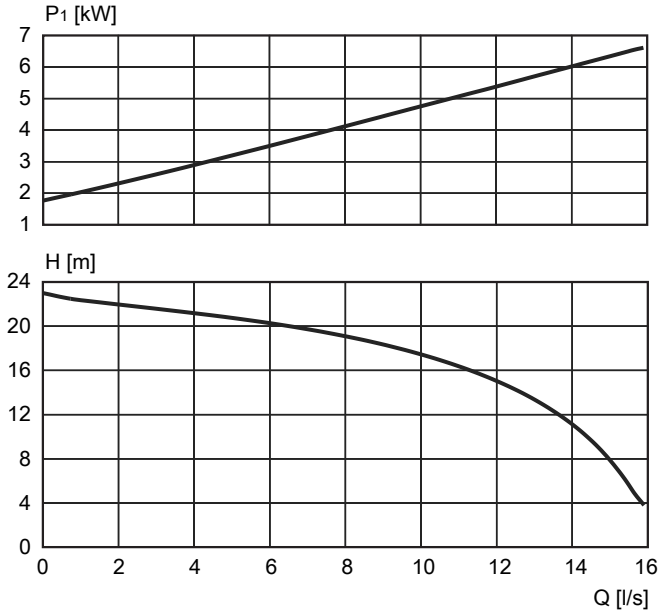
1. Throughlet diameter 46 mm (1.8 in.)  
 Weight: 86 kg (190 lbs)

**Performance curves**

**Test standard**

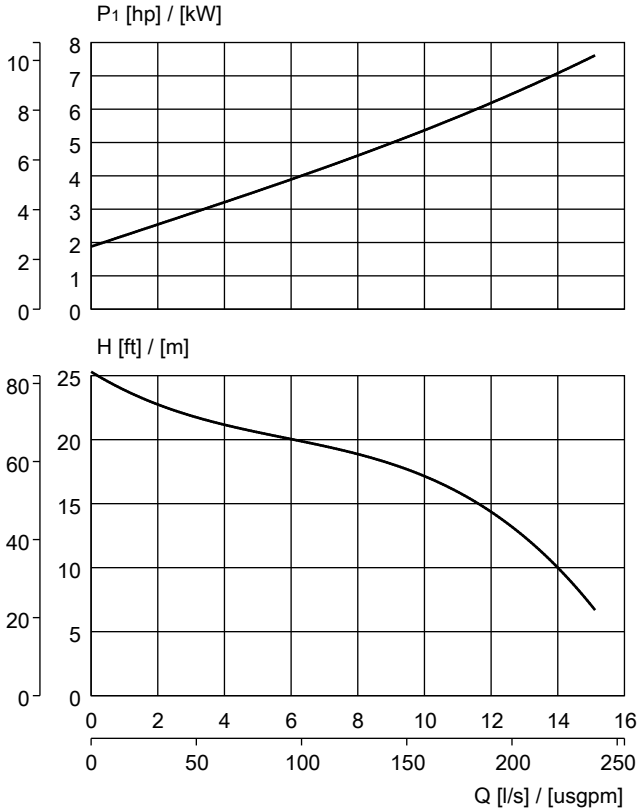
Pumps are tested in accordance with ISO 9906:2012, HI 11.6:2012.

Sandy INOX



WS006404A

Figure 7: 50 Hz



WS006405A

Figure 8: 60 Hz



Grindex  
Gesällvägen 33  
174 07 Sundbyberg  
Sweden  
Tel: +46-8-606 66 00  
Fax: +46-8-745 53 28  
[www.grindex.com](http://www.grindex.com)

Visit our Web site for the latest version of this document  
and more information

The original instruction is in English. All non-English  
instructions are translations of the original instruction.

© 2011 Grindex