

Parts List



www.grindex.com

Bravo 900 — 8153.020/.190



Parts List

Bravo 900 — 8153.020/190

Overview

Table of Contents

This publication contains the following topics:

Topic

Introduction	4
Practical Information	5
Data Plate Interpretation.....	6
Order parts.....	10
Motor Parts	11
Non Explosion-proof	12
Explosion-proof.....	14
List.....	16
Hydraulic Parts.....	22
Without Agitator	23
With Agitator.....	24
List.....	25

Introduction

Purpose

The purpose of this manual is to give the reader information about available spare parts and accessories for the product.

Recipient

The manual is principally intended for Grindex

- customers
 - service personnel
 - sales personnel
-

Contact

For more information

- contact your Grindex representative
 - visit <http://www.grindex.com/>
-

Reference

More information about the product is available in the following documents:

- Installation, Operation and Maintenance
 - Grindex accessories list
-

Practical Information

Overview

Table of Contents

This chapter contains the following topics:

Topic

Data Plate Interpretation	6
Data Plate.....	6
FM approved version	8
EN approved version	9
Order parts	10

Data Plate Interpretation

Introduction

The Grindex product is always provided with data plates:

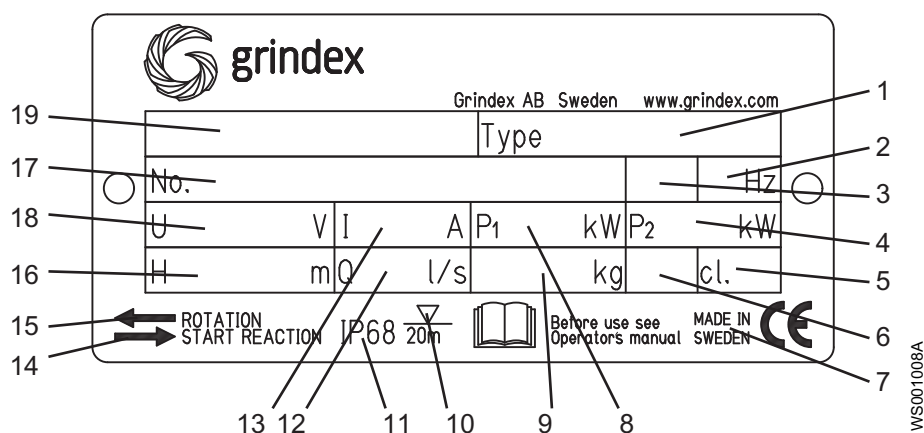
- The data plate is used on all products.
- The approval plate is added to all explosion proof products.

Data Plate

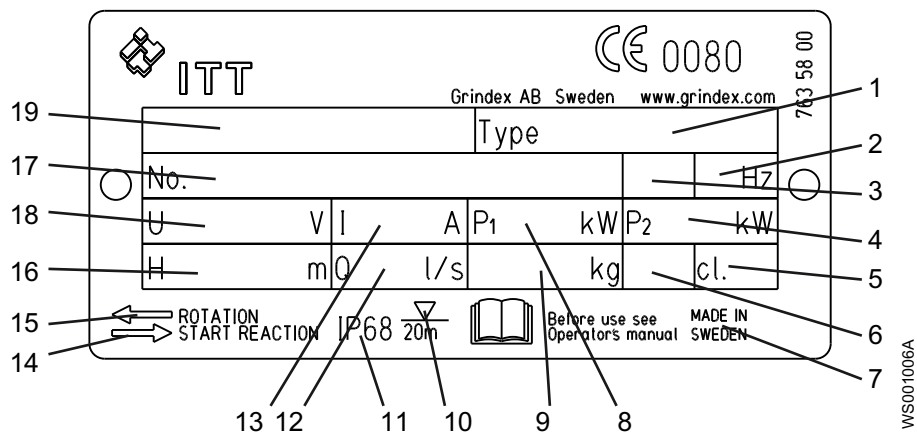
The product may only be operated within the parameters stated on the data plate.

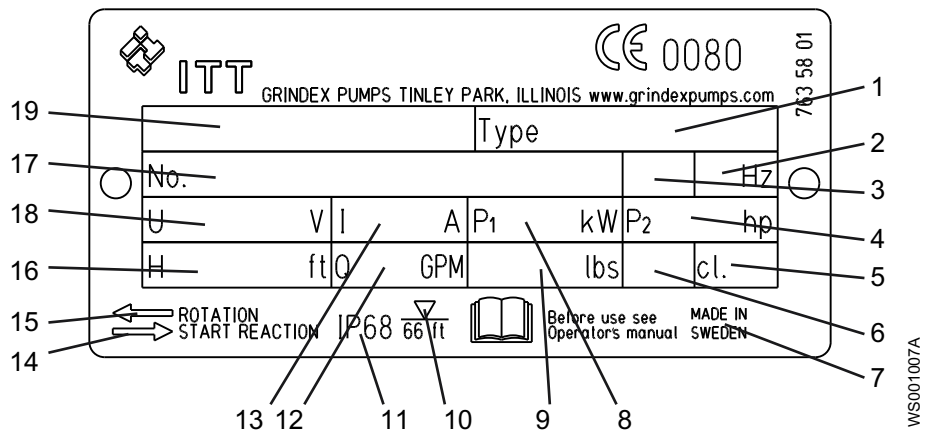
Illustration

This is the data plate for non explosion-proof version .020:



These are the data plates for explosion-proof version .190:





Field description

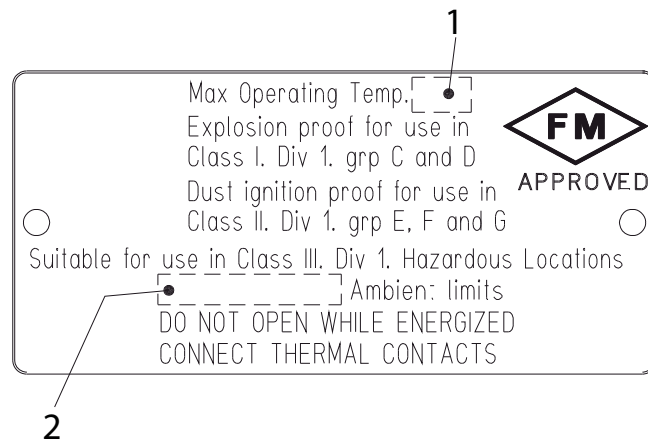
This table shows the fields on the general data plate, and which information each field contains.

Field	Description	Field	Description
1	Pump type number	11	Degree of protection
2	Frequency	12	Maximum capacity
3	Phases, type of current	13	Rated current
4	Rated shaft power	14	Direction of the start reaction
5	Thermal class	15	Direction of the impeller rotation
6	Locked rotor code-letter	16	Maximum head
7	Country of origin	17	Serial number
8	Maximum power consumption	18	Rated voltage
9	Product weight	19	Pump model
10	Maximum submersion depth	-	-

FM approved version

Illustration

This is an illustration of an approval plate for the FM approved product version.



Field description

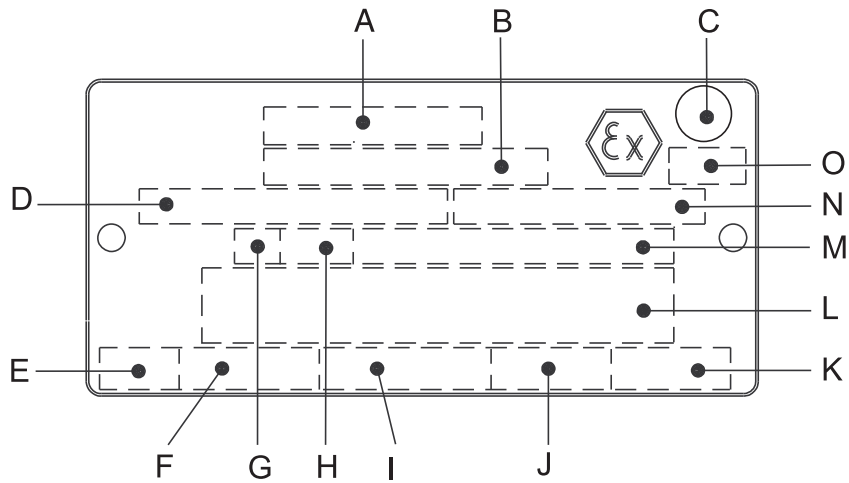
This table shows the fields on the approval plate, and which information each field contains.

Field	Description
1	Temperature class
2	Maximum ambient temperature

EN approved version

Illustration

This is an illustration of an approval plate for the EN approved product version.



Field description

This table shows the fields on the approval plate.

Field	Description	Field	Description
A	Approval	I	Input power
B	Approval authority + Approval Number	J	Rated speed
C	Approval for Class 1	K	Controller
D	Approved drive unit	L	Additional information
E	Stall time	M	Max. ambient temperature
F	Starting current / Rated current	N	Serial number
G	Duty class	O	ATEX marking
H	Duty factor	-	-

Order parts

Order

When ordering spare parts, state product number and serial number of the product, spare part number and quantity.

Requirements

Genuine Grindex parts must always be used for repairs if the product is to fulfill requirements and obtain official approval.

Specially Approved Products

Spare parts marked with (EX) after the part number are subject to dimensional accuracy inspection.

Motor Parts

Overview

Table of Contents

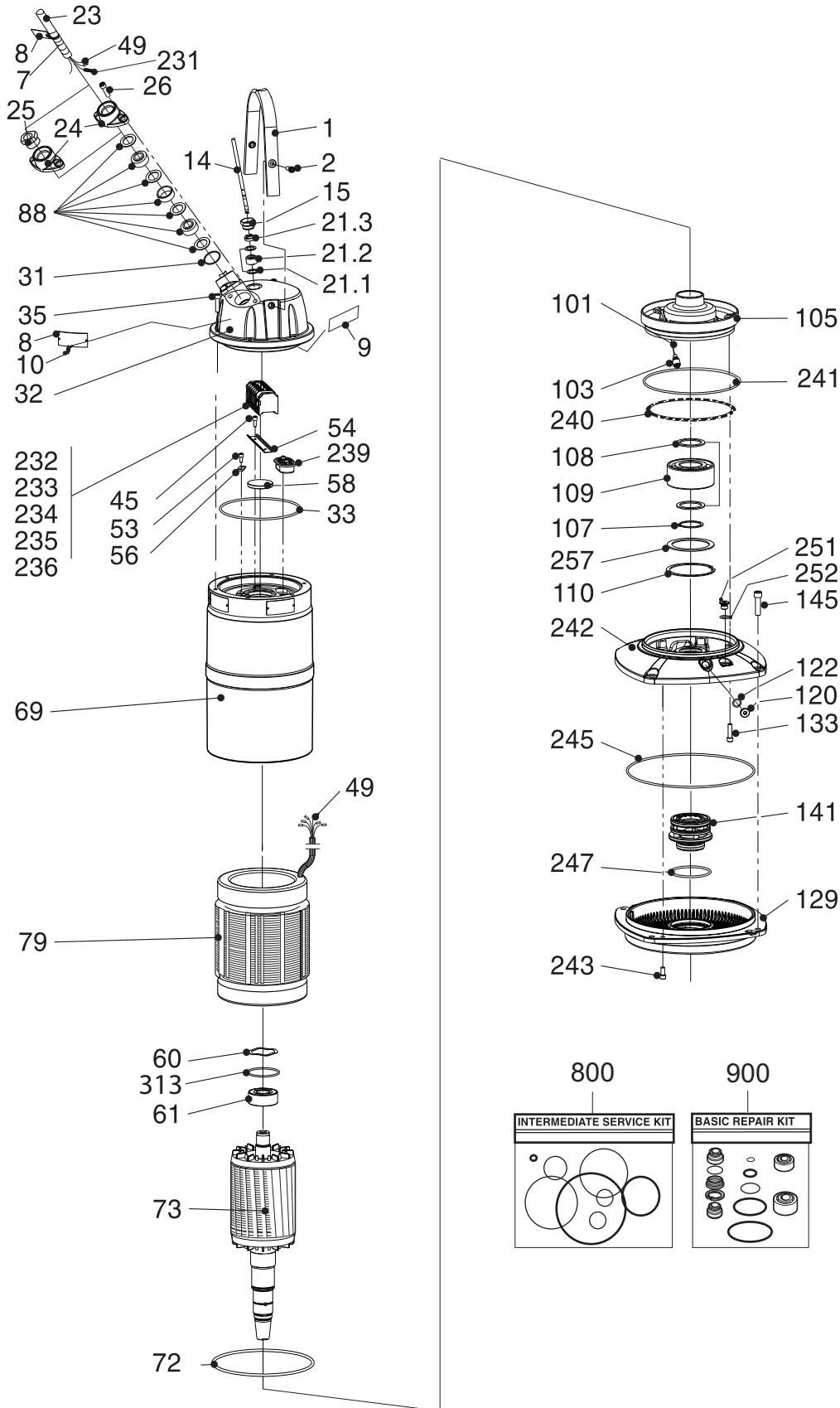
This chapter contains the following topics:

Topic

Non Explosion-proof	12
Without Cooling Jacket	12
With Cooling Jacket.....	13
Explosion-proof.....	14
Without Cooling Jacket	14
With Cooling Jacket.....	15
List.....	16

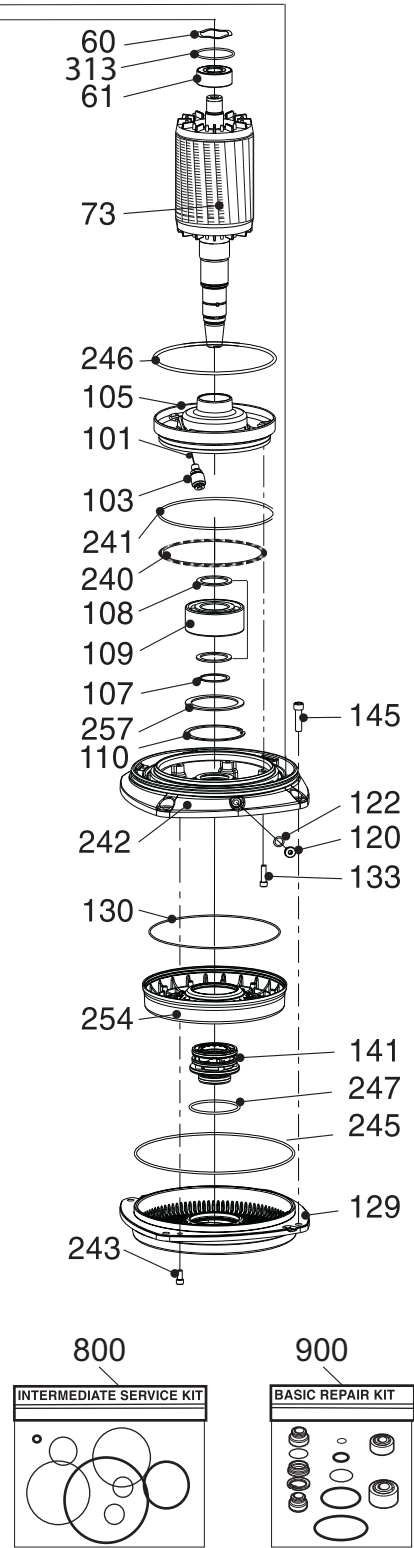
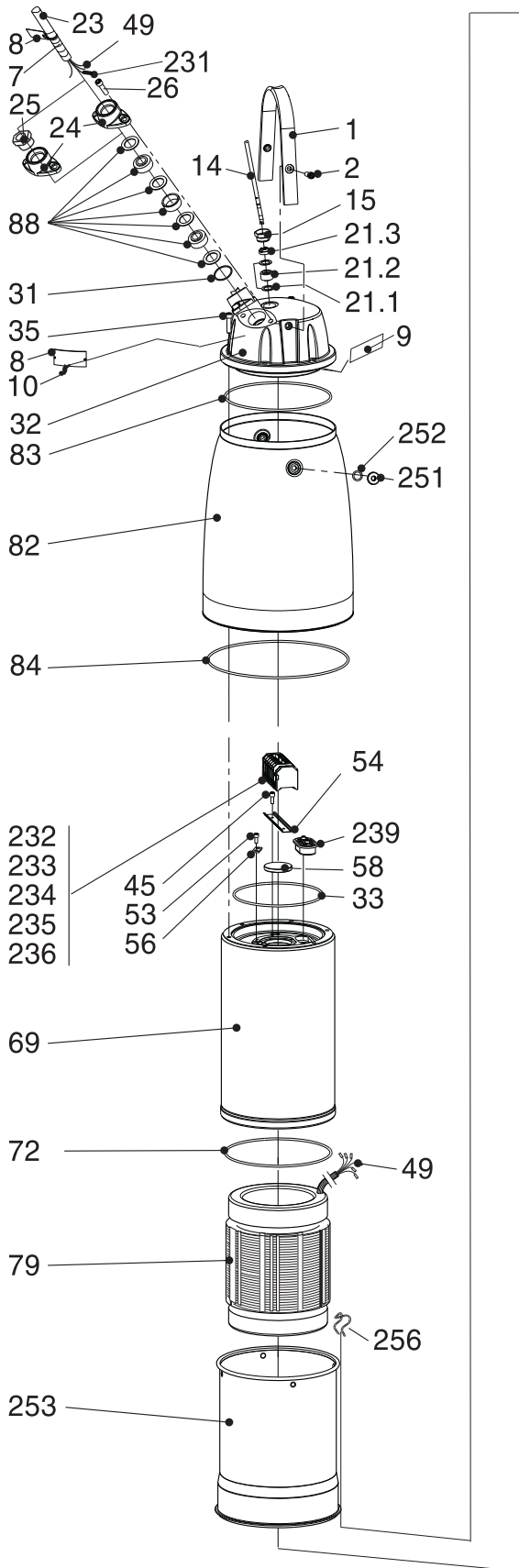
Non Explosion-proof

Without Cooling Jacket



20074B

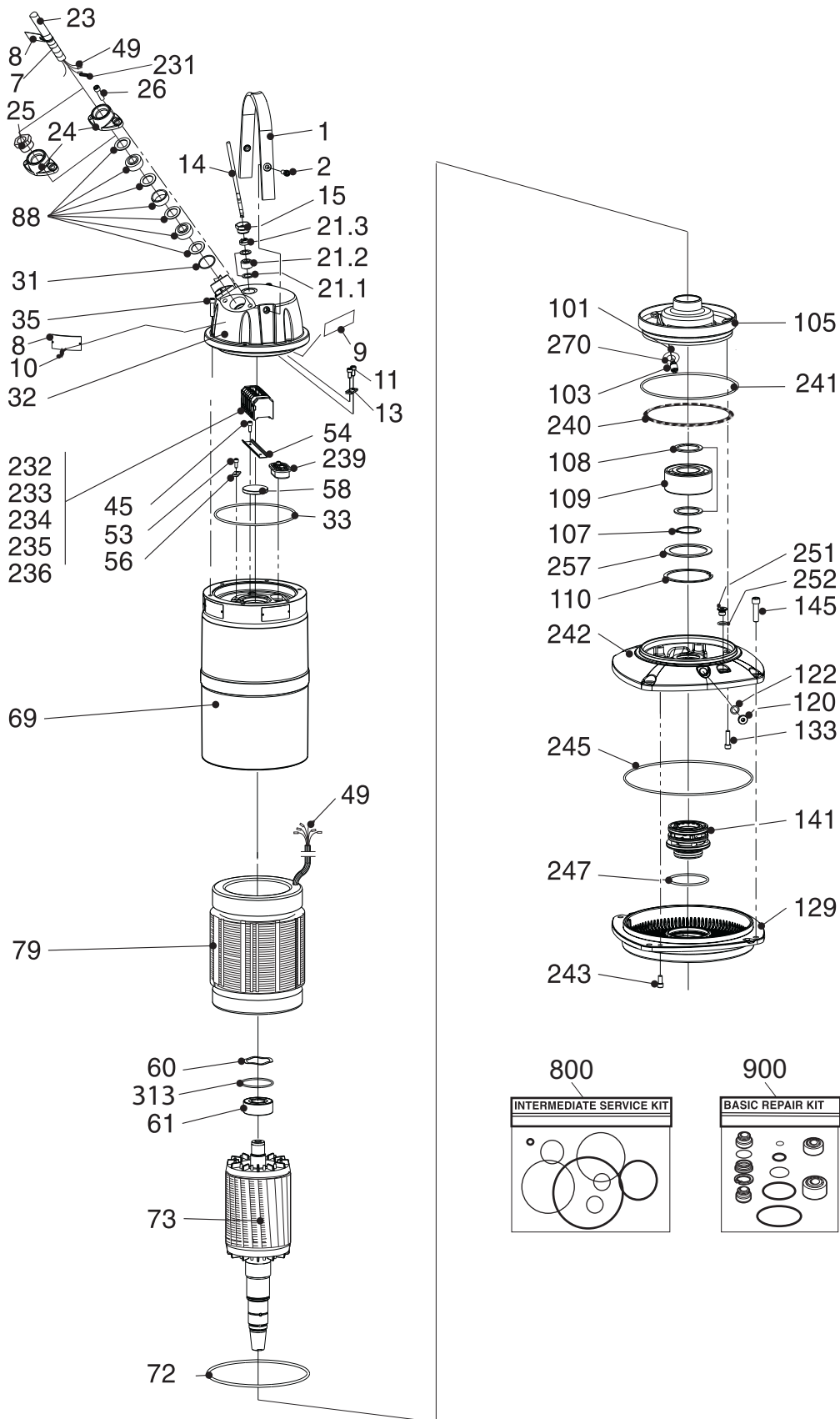
With Cooling Jacket



20098B

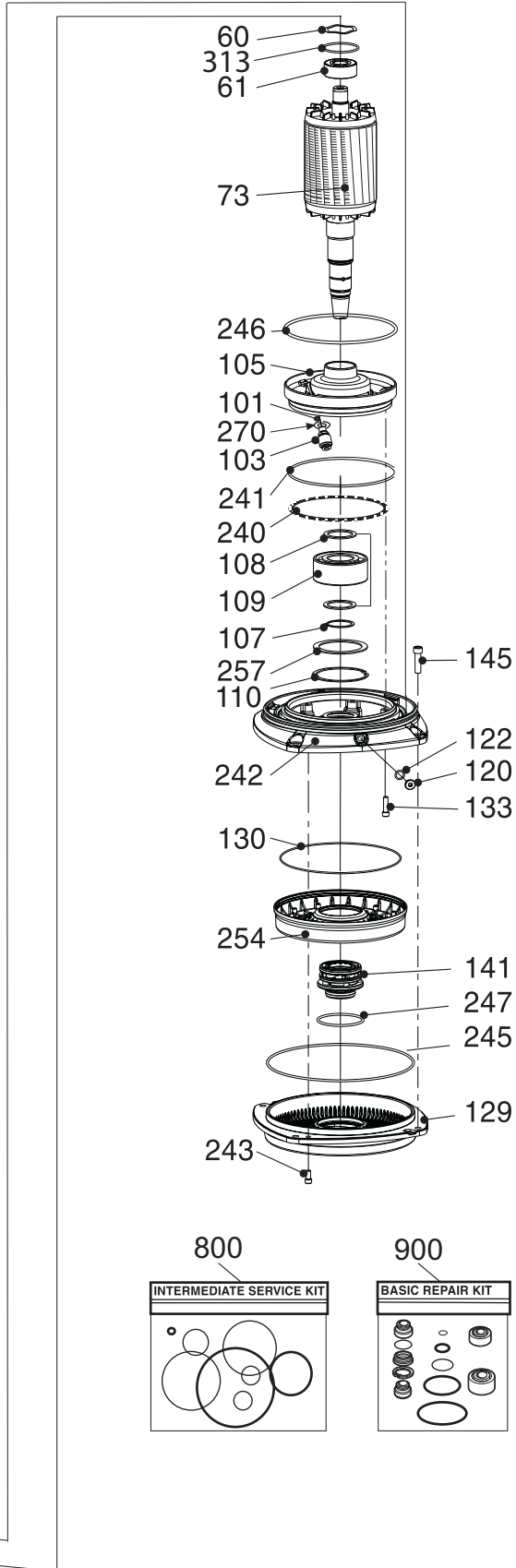
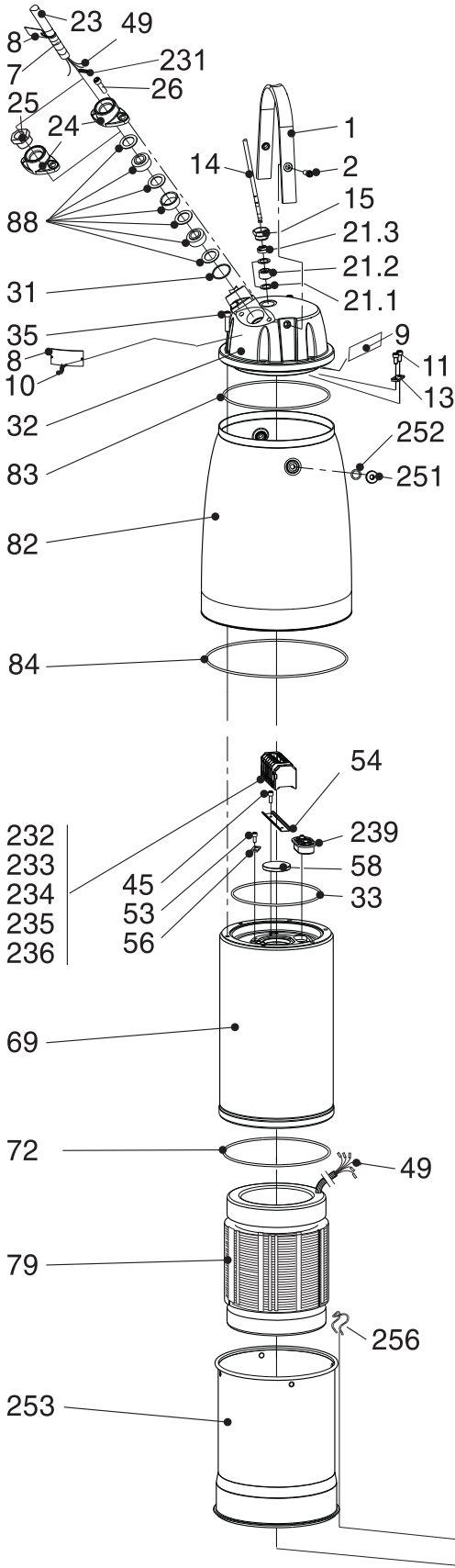
Explosion-proof

Without Cooling Jacket



20099B

With Cooling Jacket



20010B

List

Pos. No	Part. No	Denomination	Qty/Ver- sion		
			020	190	
1	51 479 00	Lifting handle	1	1	
2	410 553	Hex.socket hd screw M16X60-A4-80	ITT Part. No 83 04 58	2	2
7	410 517	Cable tie 200X2.4 PA 6/6 -55+105		1	1
7	50 457 02	Cable tie 292X3.5;NYLON;+125 C		1	1
8	51 648 00	Certificate plate	ITT Part. No 630 69 02		2
8	50 888 00	Plate-blank	Use 50 907 00 (EU), 50 907 01 (US) as spare part for non explosion-proof version.	2	2
8	50 888 00	Plate-blank	Use 51 633 00 (EU), 51 633 02 (US) as spare part for explosion-proof version. ITT Part. No 763 58 00 and 763 58 01 resp.	2	2
8	51 614 00	Certificate plate	ITT Part. No 752 20 00		1
9	410 526	Marking strip 5-GW(T1;T2;T15;T16)		1	1
9	410 527	Marking strip W5;V5;U5;V2;W1;U2;V1;W2;U		1	1
9	50 918 00	Connection plate SCREENED CABLE		1	1
9	51 426 00	Connection plate		1	1
9	51 438 00	Plate		1	1
9	51 440 00	Connection plate		1	1
9	51 509 00	Connection plate		1	1
10	410 000	Drive screw 4X5-A2-70	ITT Part. No 82 20 88	4	4
11	410 503	Hex.socket hd screw M6X12-A2-70	ITT Part. No 82 00 11		2
13	50 902 00	Earthing plate			1
14	410 350	Control cable SUBCAB 7X1.5 MM2 OD=15-17		*	*
15	51 407 00	Gland screw FOR CABLE ENTRY	ITT Part. No 397 81 00	1	1
21.1	50 127 04	Plain washer (10)-22 MM		1	1
21.2	410 043	Seal sleeve (10)-12 MM		1	1
21.2	410 045	Seal sleeve (14)-16 MM		1	1
21.3	50 926 00	Cable clip (10)-12 MM		1	1
21.3	50 926 02	Cable clip (14)-16 MM		1	1
23	410 125	Motor cable SCREEN S3X10+3X10/3+4X1.5		*	*
23	410 126	Motor cable 4G6+2X1.5 MM2 OD=23-25 MM		*	*
23	410 127	Motor cable 4G10+2X1.5 MM2 OD=26-28MM		*	*
23	410 128	Motor cable 4G16+2X1.5 MM2 OD=26-28MM		*	*

Pos. No	Part. No	Denomination	Qty/Version	
			020	190
23	410 131	Motor cable 7G6+2X1.5 MM2 OD=24-28 MM	*	*
23	410 135	Motor cable 6AWG/3-2-1-GC OD=30-32 MM	*	*
23	410 136	Motor cable 4AWG/3-2-1-GC OD=33-35 MM	*	*
23	410 347	Motor cable SUBCAB S3X16+3X16/3+4X1.5	*	*
23	410 348	Motor cable SUBCAB S3X50+3X25/3+4X1.5	*	*
23	410 349	Motor cable SUBCAB S3X70+3X35/3+4X1.5	*	*
23	410 351	Motor cable SUBC750RN 4G25+2X1.5	*	*
23	410 352	Motor cable SUBCAB4G35+2X1.5 MM2	*	*
23	410 353	Motor cable SUBCAB 750V RN 4G50 MM2	*	*
23	410 354	Motor cable SUBCAB 750V RN 4G70 MM2	*	*
23	410 355	Motor cable SUBCAB 1AWG/3-2-1-GC	*	*
23	410 383	Motor cable SUBCAB S3X25+3X16/3+4X1.5	*	*
23	410 384	Motor cable SUBCAB S3X35+3X16/3+4X1.5	*	*
24	51 472 00	Entrance flange	2	
24	51 472 01	Entrance flange	2	
24	51 472 02	Entrance flange	2	
24	51 472 03	Entrance flange	2	
24	51 472 04	Entrance flange	2	
24	51 472 05 (EX)	Entrance flange		ITT Part. No 605 61 01 2
24	51 472 06 (EX)	Entrance flange		ITT Part. No 605 61 21 2
24	51 472 07 (EX)	Entrance flange		ITT Part. No 605 61 23 2
24	51 472 08 (EX)	Entrance flange		ITT Part. No 605 61 25 2
24	51 472 09 (EX)	Entrance flange		ITT Part. No 605 61 27 2
25	51 419 00	Gland screw 1 1/4" ISO.FOR METALHOSE	2	For use with metal hose. ITT Part. No 633 11 01 2
25	51 419 01	Gland screw 1 1/2" NPT.FOR METALHOSE	2	For use with metal hose. ITT Part. No 633 11 04 2

Pos. No	Part. No	Denomination	Qty/Ver- sion		
			020	190	
25	51 490 00	Gland screw	ITT Part. No 633 11 05	2	2
25	51 490 01	Gland screw	ITT Part. No 633 11 06	2	2
26	410 374	Hex.socket hd screw M12X45-A4-80	ITT Part. No 83 04 53	4	4
31	410 562	O-ring 69.5X3 NBR		2	2
31	410 572	O-ring 69.5X3 FPM		2	2
32	51 478 00	Entrance cover		1	
32	51 478 01	Entrance cover		1	
32	51 478 02	Entrance cover		1	
32	51 478 03	Entrance cover		1	
32	51 478 04 (EX)	Entrance cover	ITT Part. No 608 51 11		1
32	51 478 05 (EX)	Entrance cover	ITT Part. No 608 51 13		1
32	51 478 06 (EX)	Entrance cover	ITT Part. No 608 51 15		1
32	51 478 07 (EX)	Entrance cover	ITT Part. No 608 51 17		1
33	410 566	O-ring 370X5.7 NBR		1	1
33	410 575	O-ring 370X5.7 FLUOR		1	1
35	410 553	Hex.socket hd screw M16X60-A4-80	ITT Part. No 83 04 58	6	6
45	410 503	Hex.socket hd screw M6X12-A2-70	ITT Part. No 82 00 11	2	2
49	410 515	End sleeve H16/24		6	6
49	410 516	End sleeve H25/30		6	6
49	410 580	End sleeve H35/30D		3	3
49	410 581	End sleeve H50/36		6	6
49	410 582	End sleeve H70/40		3	3
53	410 503	Hex.socket hd screw M6X12-A2-70	ITT Part. No 82 00 11	4	4
54	51 487 00	Rail		1	1
56	50 902 00	Earthing plate		2	2
56	51 475 00	Earthing plate		1	1
58	410 574	Protective cap		1	1
60	410 560	Spring washer 119.5X100.5X1.2		1	1
61	410 555	Ball bearing 3311A-2Z/C3VT113		1	1
69	51 480 00	Stator housing		1	

Pos. No	Part. No	Denomination	Qty/Version		
			020	190	
69	51 480 01 (EX)	Stator housing	ITT Part. No 608 52 01		1
72	131 929	O-ring 339.3X5.7 NBR		1	1
72	410 548	O-ring 339.3X5.7 FPM		1	1
73	51 494 00	Shaft unit		1	1
79	51 495 01	Stator 35-29-4a	50Hz: 660 - 690V Y. 380 - 400V D. 60Hz: 460V D.	1	1
79	51 495 02	Stator 35-29-4a	50Hz: 415 - 440V D.	1	1
79	51 495 04	Stator 35-29-4a	50Hz: 500V D. 60Hz: 575 - 600V D.	1	1
79	51 495 06	Stator 35-29-4a	60Hz: 380V D.	1	
79	51 495 08	Stator 35-29-4a	50Hz: 380V D.	1	1
82	51 486 00	Cooling jacket		1	1
82	51 486 01	Cooling jacket STAINLESS STEEL (ASTM329)		1	1
83	410 563	O-ring 289.3X5.7 NBR		1	1
83	410 568	O-ring 289.3X5.7 FPM		1	1
84	410 564	O-ring 479.3X5.7 NBR		1	1
84	410 569	O-ring 479.3X5.7 FPM		1	1
88	51 493 00	Cable entry unit (23)-26 MM		2	2
88	51 493 01	Cable entry unit (26)-29 MM		2	2
88	51 493 02	Cable entry unit (29)-32 MM		2	2
88	51 493 03	Cable entry unit (32)-35 MM		2	2
88	51 493 04	Cable entry unit (35)-38 MM		2	2
88	51 493 05	Cable entry unit (38)-41 MM		2	2
88	51 493 06	Cable entry unit (41)-44 MM		2	2
88	51 493 07	Cable entry unit (44)-47 MM		2	2
88.1	410 220	Plain washer		4	4
88.1	410 223	Plain washer		4	4
88.2	410 587	Seal sleeve		2	2
88.2	410 588	Seal sleeve		2	2
88.2	410 589	Seal sleeve		2	2
88.2	410 590	Seal sleeve		2	2
88.2	410 591	Seal sleeve		2	2
88.2	410 592	Seal sleeve		2	2
88.2	410 593	Seal sleeve		2	2
88.2	410 594	Seal sleeve		2	2
88.3	51 488 01	Ring		1	1
101	50 698 00	Cable unit FLS10		1	1
103	50 486 01 (EX)	Level sensor FLS10	ITT Part. No 663 04 00	1	1

Pos. No	Part. No	Denomination	Qty/Ver- sion	
			020	190
105	51 512 00	Bearing holder	1	
105	51 512 01 (EX)	Bearing holder		1
		ITT Part. No 608 53 01		
107	410 561	Retaining ring SGA 95	1	1
108	410 558	Supporting washer 95X115X3.5	2	2
109	410 583	Ball bearing 3319A-2Z/C3VT113	1	1
110	410 579	Retaining ring 7 3/4"	1	1
120	51 428 00	Plug	1	1
122	410 508	O-ring 17X3 NBR	1	1
122	410 511	O-ring 17X3 FPM	1	1
129	51 483 00	Seal housing cover	1	1
130	410 567	O-ring 405.26X3.53 NBR	1	1
133	410 553	Hex.socket hd screw M16X60-A4-80	6	6
		ITT Part. No 83 04 58		
141	51 491 00	Mechanical seal	1	1
145	410 578	Hex.socket hd screw M20X70-A4-80	4	4
		ITT Part. No 83 04 63		
231	410 122	Shrink hose ID 9.5	*	
231	410 596	Shrink hose ID 19.1	*	
232	410 523	Terminal clamp WDU6/10	3	3
233	410 519	Terminal clamp WDU35/IK/ZA	8	8
233	410 524	Terminal clamp WDU16,1000V	8	8
233	410 585	Terminal clamp WEIDMÜLLER WDU 70N	8	8
234	410 520	Cross connection WQW35/2	4	4
234	410 525	Cross connection WQV16/2	4	4
234	410 584	Cross connection WEIDMÜLLER WQV 70N/3	1	1
234	410 586	Cross connection WEIDMÜLLER WQV 70N/2	4	4
234	51 427 00	Cross connection	1	1
234	51 427 01	Cross connection	1	1
235	410 522	End support WEW 35/2	2	2
236	410 521	Partition	1	1
239	51 460 01	El.lead through unit	1	1
239	51 460 02	El.lead through unit	1	1
240	51 476 00 (EX)	Spring	1	1
		ITT Part. No 607 48 05		
241	410 092	O-ring 319.3X5.7 NBR	1	1

Pos. No	Part. No	Denomination	Qty/Ver- sion	
			020	190
241	410 570	O-ring 319.3X5.7 FPM	1	1
242	51 481 00	adapter	1	
242	51 481 01 (EX)	adapter ITT Part. No 608 54 01		1
242	51 482 00	adapter	1	
242	51 482 01 (EX)	adapter ITT Part. No 608 55 11		1
243	50 023 09	Hex.socket hd screw M12X25-A4-80 ITT Part. No 83 04 61	2	2
245	410 564	O-ring 479.3X5.7 NBR	1	1
245	410 569	O-ring 479.3X5.7 FPM	1	1
246	410 567	O-ring 405.26X3.53 NBR	1	1
247	410 571	O-ring 149.3X5.7 FPM	1	1
251	51 428 00	Plug	2	2
252	410 508	O-ring 17X3 NBR	3	3
252	410 511	O-ring 17X3 FPM	3	3
253	51 485 00	Cooling jacket	1	1
254	51 484 00	Flow diffusor	1	1
256	51 477 00	Wire bow	4	4
257	410 559	Supporting washer 170X200X3.5	1	1
270	51 118 00	Lock washer		1
313	50 037 09	O-ring 119.5X3 FPM	1	1
800	410 698	O-ring kit	1	1
900	51 619 04	Basic repair kit	1	1

* piece goods

Hydraulic Parts

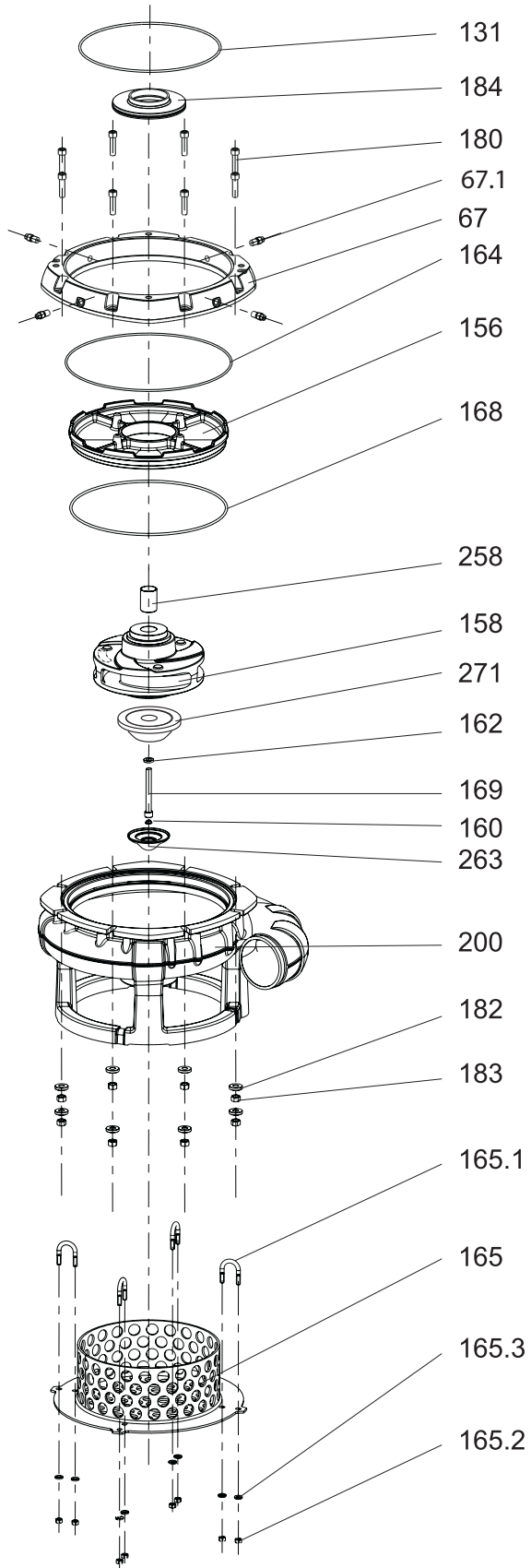
Overview

Table of Contents

This chapter contains the following topics:

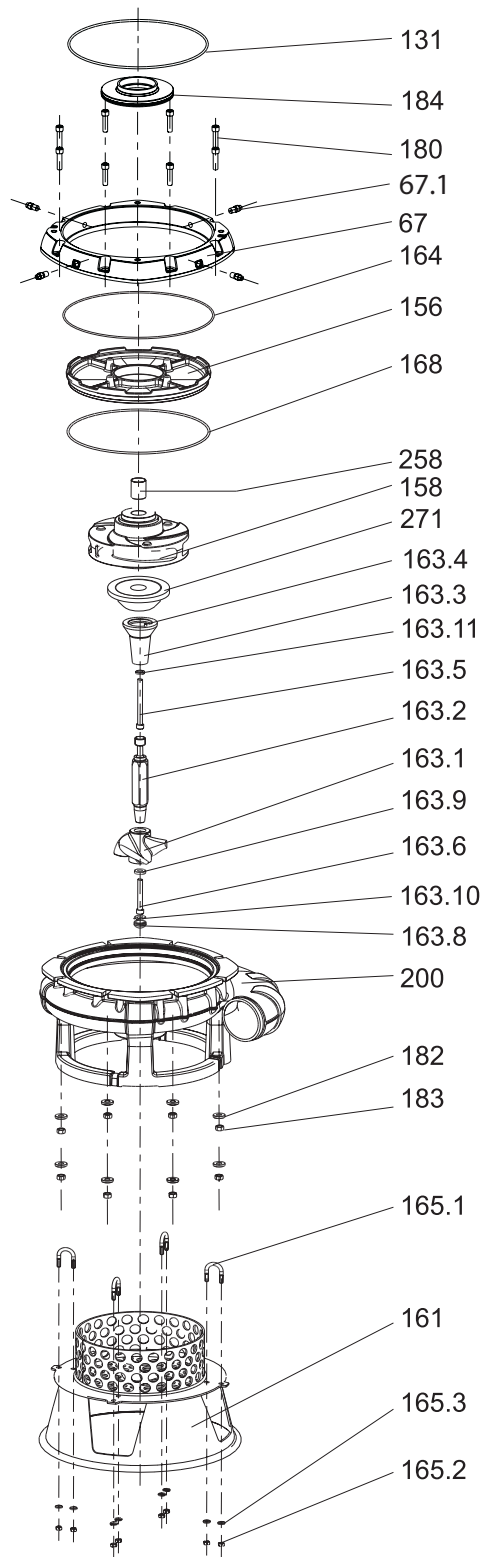
Topic	
Without Agitator	23
With Agitator	24
List.....	25

Without Agitator



20075A

With Agitator



20076A

List

Pos. No	Part. No	Denomination	Qty/Version	
			020	190
67	51 499 00	adapter	1	1
67.1	51 599 00	Nozzle	4	4
131	410 564	O-ring 479.3X5.7 NBR	1	1
131	410 569	O-ring 479.3X5.7 FPM	1	1
156	51 500 00	Wearing cover	1	1
158	51 508 01	Impeller	1	1
		50Hz.		
158	51 508 02	Impeller	1	1
		60Hz.		
160	50 437 00	Protective plug F11	1	1
161	51 501 00	Stand compl.	1	1
162	410 557	Plain washer STAINLESS STEEL A4	1	1
163	51 505 00	Agitator unit	1	
163	51 505 02	Agitator unit		1
163.1	51 412 00	Propeller	1	
163.11	410 557	Plain washer STAINLESS STEEL A4	1	
163.2	51 513 00	Shaft	1	
163.3	51 502 00	Barrel nut	1	
163.4	410 556	Tension pin	1	
163.5	410 576	Hex.socket hd screw	1	
		ITT Part. No 83 03 86		
163.6	410 577	Hex.socket hd screw M16X120-A4 80	1	
		ITT Part. No 83 04 60		
163.8	51 406 00	Plug	1	
163.9	51 417 00	Washer	1	
164	410 242	O-ring		1
164	410 565	O-ring	1	
165	51 514 00	Strainer compl.	1	1
165.1	51 600 00	Bracket	4	4
165.2	132 280	Hexagon nut M12-A2-70	8	8
165.3	132 424	Plain washer 12-A2-170	8	8
168	410 242	O-ring	1	
168	410 565	O-ring		1
169	410 577	Hex.socket hd screw M16X120-A4 80	1	1
		ITT Part. No 83 04 60		
180	410 553	Hex.socket hd screw M16X60-A4-80	8	8
		ITT Part. No 83 04 58		
182	51 470 00	Plain washer	8	8
183	132 256	Hexagon nut M16-A2-70	8	8
184	51 506 00	Wear protection	1	1

Pos. No	Part. No	Denomination	Qty/Version	
			020	190
200	51 496 00	Pump housing	1	1
258	51 510 00	Sleeve unit	1	1
263	51 497 00	Wear protection	1	1
271	51 498 00	Sleeve	1	1



Grindex AB • Box 7025 • SE-174 07 Sundbyberg • Sweden • Tel +46 8 606 66 00 • Fax +46 8 745 53 28 • marketing@grindex.com

© Grindex AB. The original instruction is in English. All non-English instructions are translations of the original instruction.