

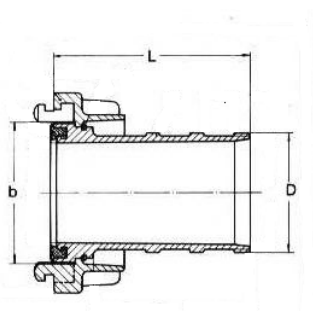
STORZ SLANGEKOBLING MED LANG HALS



Storz slangekobling anvendes primært som brandkobling og til transport af væsker, luft, pulver og granulat.

Alle koblinger er forsynet med sug- og trykpakning i nitril (sort).
 Andre pakningskvaliteter kan leveres.

Slangekoblingerne lagerføres i letmetal (L) og metal (M). Slangekoblingerne kan også leveres i syrefast rustfri stål.



Arbejdstryk:

Storz D/1" til 125/5" max. 16 bar
Storz 150/6" til 250/10" max. 10 bar



Storz 150/6" er forsynet med 3 kløer
Storz 250/10" er forsynet med 3 kløer og koblingshåndtag

Vare nummer	Storz type	For Ø Slange	b	D	L		
1000L	D/1"	25 mm	31,0	25,0	53,0		DIN 14 301
1000M	D/1"	25 mm	31,0	25,0	53,0		
1001L	D/1"	19 mm	31,0	19,0	50,0		
1001M	D/1"	19 mm	31,0	19,0	50,0		
1002L	D/1"	13 mm	31,0	13,0	50,0		
1002M	D/1"	13 mm	31,0	13,0	50,0		
1011L	C/2"	52 mm	66,0	52,0	90,0		DIN 14 321
1011M	C/2"	52 mm	66,0	52,0	75,0	Se 1010M kobling med kort hals	
1013L	C/2"	38 mm	66,0	38,0	90,0		
1013M	C/2"	38 mm	66,0	38,0	90,0		
1014L	C/2"	32 mm	66,0	32,0	90,0		
1014M	C/2"	32 mm	66,0	32,0	95,0		
1015L	C/2"	25 mm	66,0	25,0	90,0		
1015M	C/2"	25 mm	66,0	25,0	90,0		
1016L	C/2"	19 mm	66,0	19,0	90,0		
1021L	B/3"	75 mm	89,0	75,0	125,0		DIN 14 322
1021M	B/3"	75 mm	89,0	75,0	125,0		
1022L	B/3"	65 mm	89,0	65,0	125,0		
1022M	B/3"	65 mm	89,0	65,0	125,0		
						forsætter på næste side	